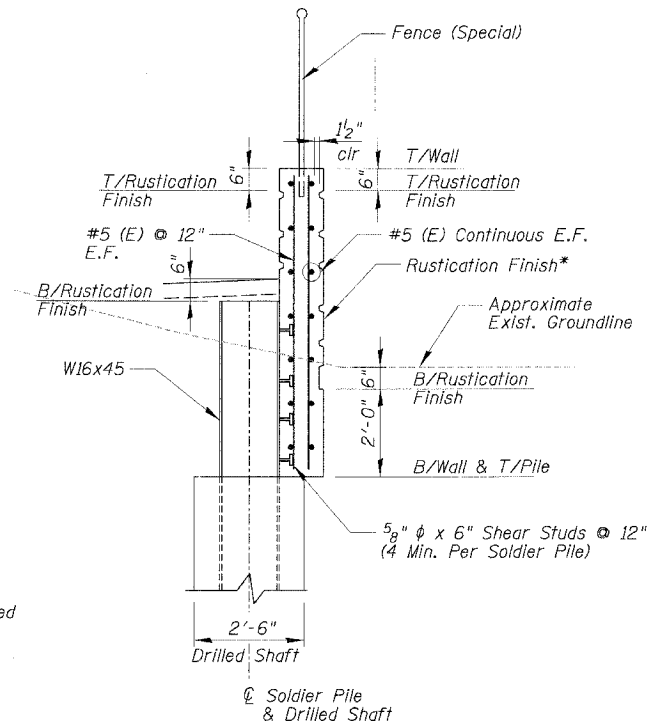
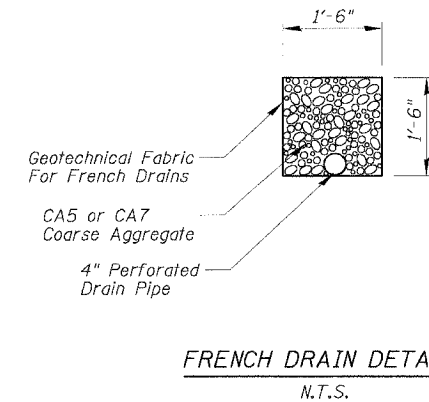


**A** WALL TYPICAL SECTION  
SCALE: 1/4" = 1'-0"

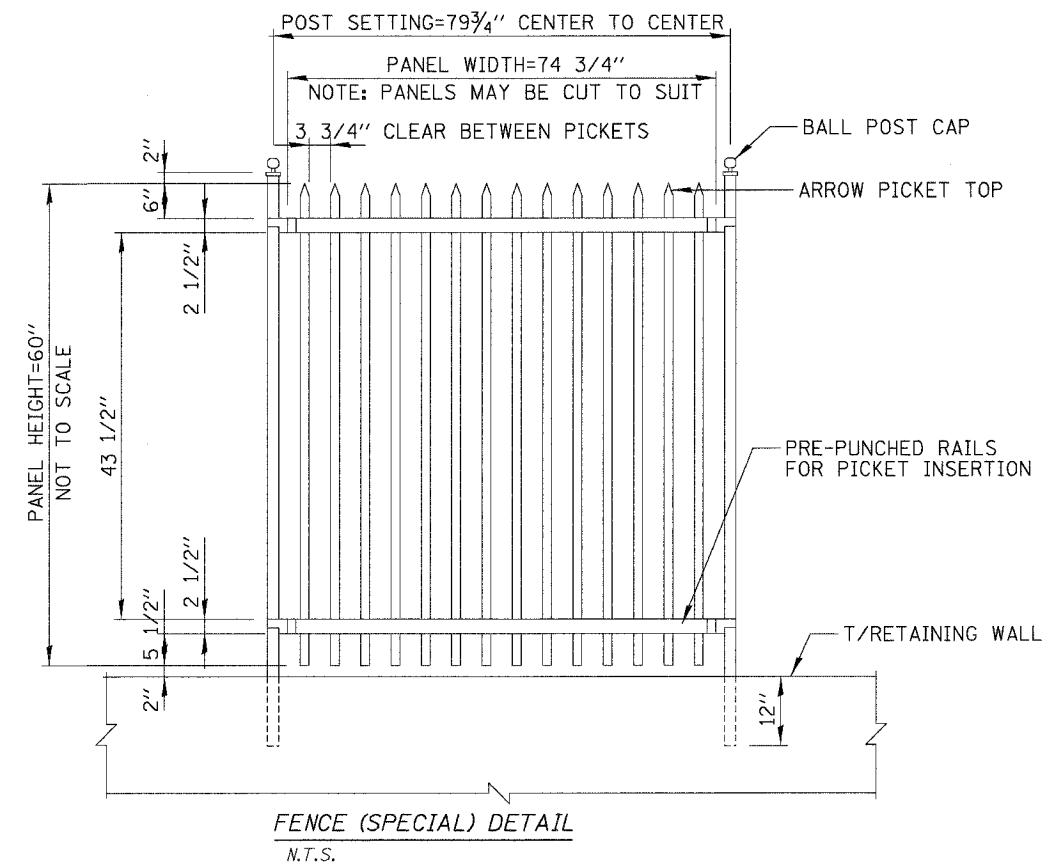
\* Protective Coat Shall Be Applied To Rustication Finish



**B** WALL SECTION SHOWING REINFORCEMENT  
SCALE: 1/2" = 1'-0"



FRENCH DRAIN DETAIL  
N.T.S.



FENCE (SPECIAL) DETAIL  
N.T.S.

REVISIONS	
NAME	DATE

ILLINOIS DEPARTMENT OF TRANSPORTATION  
**FAU 2647 - BUTTERFIELD ROAD  
RETAINING WALL SECTION AND  
FRENCH DRAIN DETAIL**

SCALE: AS NOTED  
DATE: 12/2/2005

DRAWN BY: PDR  
CHECKED BY: MMS