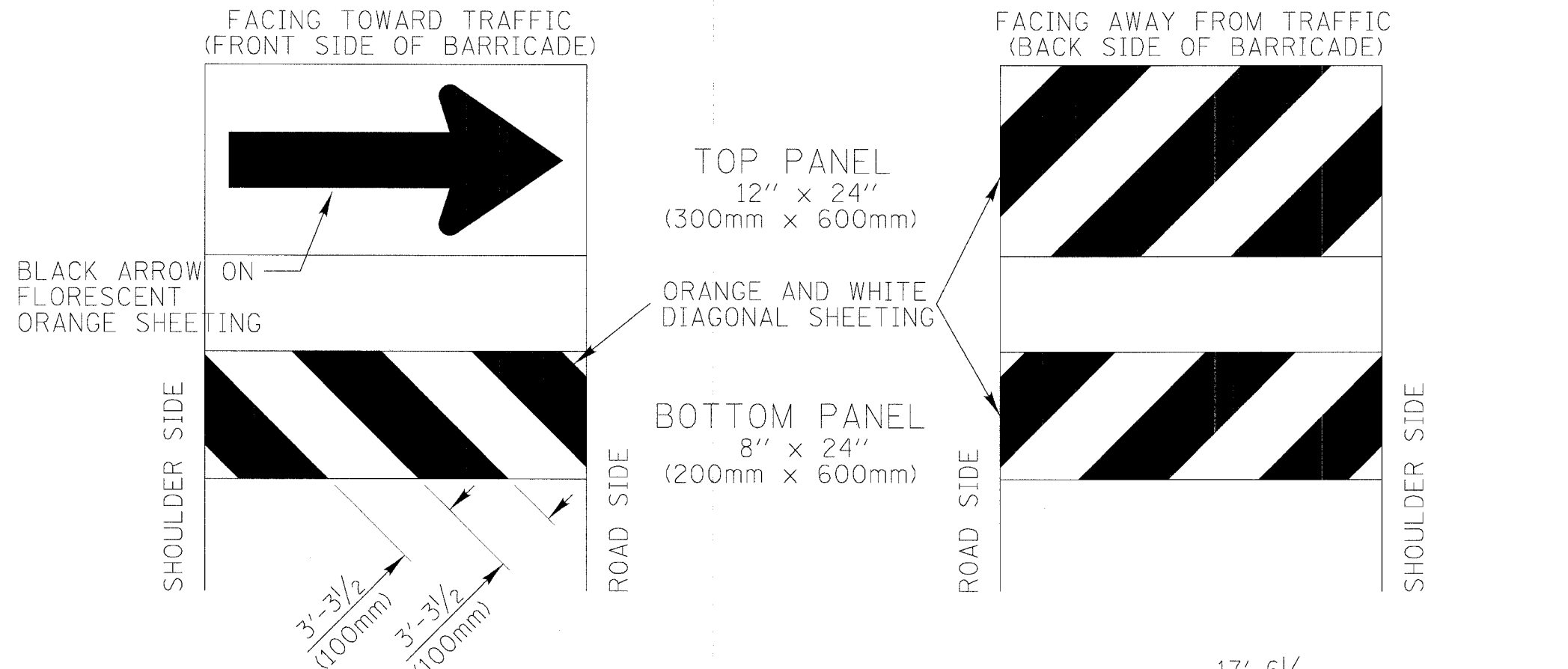


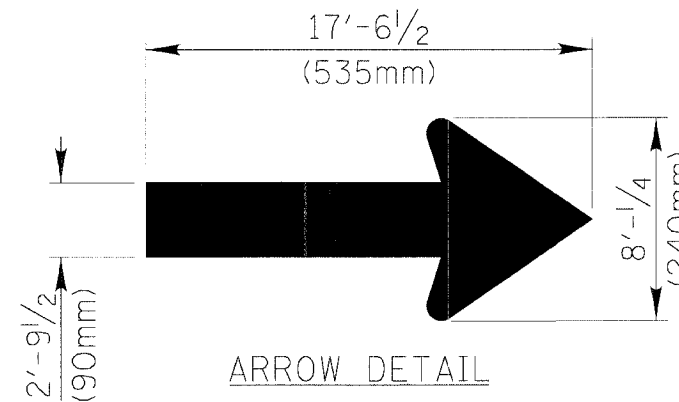
FAU	SECTION	COUNTY	TOTAL SHEETS	SHEET NO.
2647	99-00142-07-WR	LAKE	256	149
CONTRACT NO: 83815				
FED. ROAD DIST. NO. 1 ILLINOIS FED. AID PROJECT				

DIRECTION INDICATOR BARRICADES



GENERAL NOTES

- 1) Direction Indicator Barricades shall be constructed from non-metallic Type II barricades meeting the requirements of Article 702.03 (e) of the Standard Specifications.
- 2) The Direction Indicator Barricades shall be equipped with Type C steady burning lights if used to channelize traffic during the hours of darkness.
- 3) The reflective sheeting for the top panel shall be Type AZ fluorescent orange. The diagonal panels shall have orange and white Type A or better reflective sheeting.



REVISIONS	DATE	APPROVED BY:	DATE:
DUAL DIMENSIONS	4/15/02	ANTHONY KHAWAJA	JAN. 27, 2000
TYPICAL APPLICATION OF TRAFFIC CONTROL DEVICES HIGHWAY CONSTRUCTION, CONTRACT MAINTENANCE			
DIRECTION INDICATOR BARRICADES			
			LC7006

REVISIONS		ILLINOIS DEPARTMENT OF TRANSPORTATION	
NAME	DATE	FAU 2647 - BUTTERFIELD ROAD	
		DIRECTION INDICATOR BARRICADES	
		SCALE: NONE	DRAWN BY: N/A
		DATE: 12/2/2005	CHECKED BY: N/A