

**DIMENSION 'E'**

GRADE	'D'=0°		'D'=5°		'D'=10°	
	UPGRADE END	DOWNGRADE END	UPGRADE END	DOWNGRADE END	UPGRADE END	DOWNGRADE END
0%	2 <sup>3</sup> / <sub>8</sub> "	2 <sup>3</sup> / <sub>8</sub> "	2 <sup>3</sup> / <sub>8</sub> "	2 <sup>3</sup> / <sub>8</sub> "	2 <sup>3</sup> / <sub>8</sub> "	2 <sup>3</sup> / <sub>8</sub> "
Over 0% to 1%	2 <sup>3</sup> / <sub>8</sub> "	2 <sup>3</sup> / <sub>8</sub> "	2 <sup>1</sup> / <sub>4</sub> "	2 <sup>3</sup> / <sub>8</sub> "	2 <sup>1</sup> / <sub>8</sub> "	2 <sup>1</sup> / <sub>2</sub> "
Over 1% to 2%	2 <sup>3</sup> / <sub>8</sub> "	2 <sup>3</sup> / <sub>8</sub> "	2 <sup>1</sup> / <sub>8</sub> "	2 <sup>1</sup> / <sub>2</sub> "	1 <sup>7</sup> / <sub>8</sub> "	2 <sup>3</sup> / <sub>4</sub> "
Over 2% to 3%	2 <sup>3</sup> / <sub>8</sub> "	2 <sup>3</sup> / <sub>8</sub> "	2"	2 <sup>5</sup> / <sub>8</sub> "	1 <sup>5</sup> / <sub>8</sub> "	3"
Over 3% to 4%	2 <sup>3</sup> / <sub>8</sub> "	2 <sup>3</sup> / <sub>8</sub> "	1 <sup>7</sup> / <sub>8</sub> "	2 <sup>3</sup> / <sub>4</sub> "	1 <sup>3</sup> / <sub>8</sub> "	3 <sup>1</sup> / <sub>4</sub> "

**NOTES**

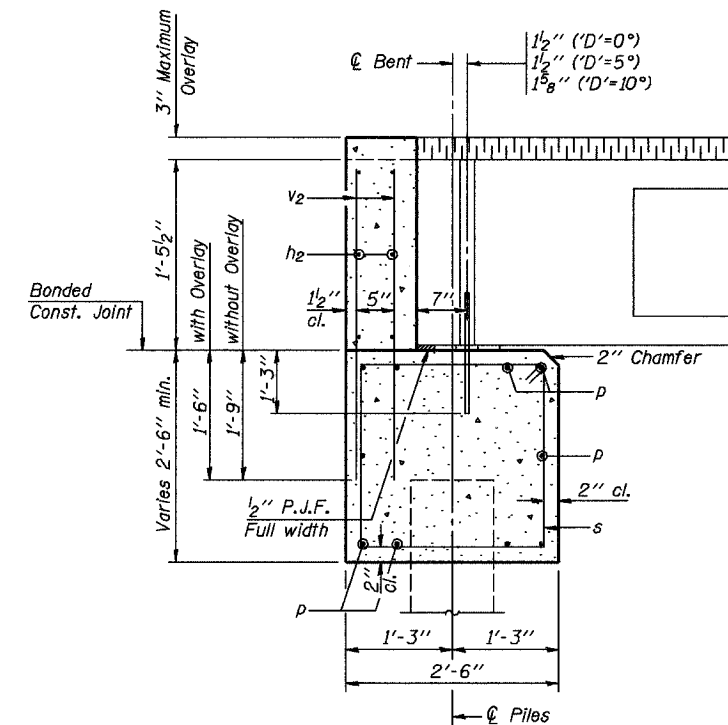
- The Backwall and the portion of the Wingwalls above the bonded construction joint shall be cast against the in-place beam.
- Reinforcement bars shall conform to the requirements of A.A.S.H.T.O. M-31 or M-322, Grade 60.
- Space reinforcement in cap to miss anchor bolts.

**MAXIMUM PILE LOADS**

SPAN	TONS
25'	25
30'	26
35'	28
40'	30

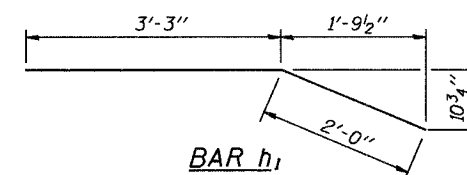
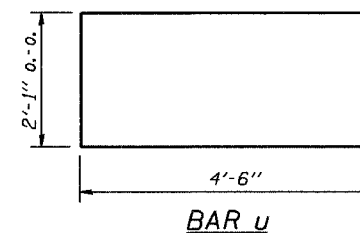
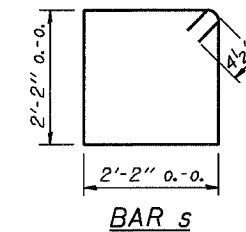
**DESIGN STRESSES**

f'c = 3,500 psi  
fy = 60,000 psi



**BILL OF MATERIAL FOR ONE ABUTMENT**

Bar	No.	Size	Length	Shape
h	16	#4	5'-0"	—
h1	4	#4	5'-3"	—
h2	6	#4	24'-9"	—
p	10	#7	24'-9"	—
s	27	#4	9'-5"	□
u	8	#6	11'-1"	□
v	8	#4	2'-6"	—
v1	8	#4	3'-5"	—
v2	50	#4	3'-1"	—
Concrete Structures			8.3 Cu. Yds.	
Reinforcement Bars			1110 Lb.	



Illinois Department of Transportation

PASSED APRIL 4, 2005  
Thomson, R. (Signature)  
Engineer of Bridge Design

APPROVED APRIL 4, 2005  
Ralph E. Anderson (Signature)  
Engineer of Bridges and Structures

1081-1-T 02/05/01

P.P.C. DECK BEAMS  
PILE BENT ABUTMENT

24' RDWY. 17" BMS. 'D'=0°, 5° OR 10°

STANDARD CA-2417-10