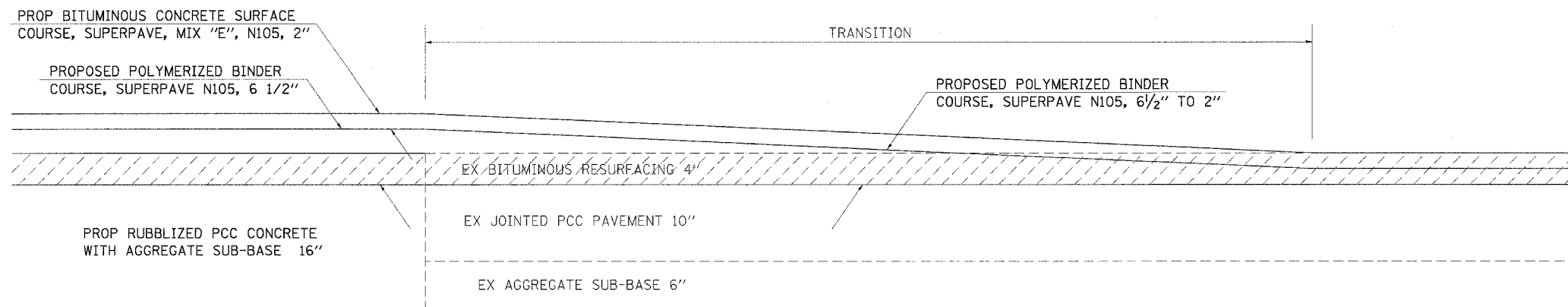


F.A.I. RTE.	SECTION	COUNTY	TOTAL SHEETS	SHEET NO.
57	*	WILLIAMSON	55	51
STA. _____		TO STA. _____		
FED. ROAD DIST. NO. _____		ILLINOIS	FED. AID PROJECT	

* EX1-(4,4-1.5,6,6-2) R-1

RESURFACING TRANSITION

I-57 NORTHBOUND
VARIOUS LOCATIONS



TO BE USED:

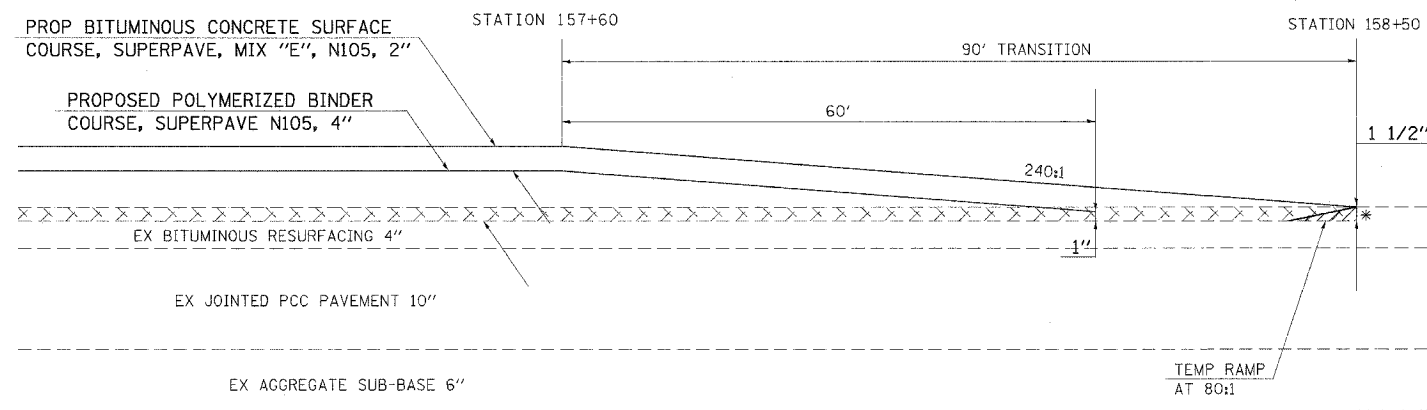
- STA 79+50 TO STA 81+50 AND STA 81+90 TO STA 83+70
- STA 163+40 TO STA 165+60
- STA 226+30 TO STA 231+50 *
- STA 253+10 TO STA 254+90 AND STA 255+25 TO STA 257+25
- STA 361+50 TO STA 363+40 AND STA 363+80 TO STA 365+30

BITUMINOUS SURFACE REMOVAL 4"

* OMISSION: STA 228+16.5 TO STA 229+15.0

RESURFACING TRANSITION

I-57 NORTHBOUND



* THE COST OF THIS SAWCUT SHALL BE INCLUDED IN THE COST OF THE BITUMINOUS SURFACE REMOVAL 1 1/2"

TO BE USED:

- MAINLINE STATION 157+60 TO MAINLINE STATION 158+50
- (I-57 ENTRANCE RAMP AT THE JOHNSTON CITY INTERCHANGE)

BITUMINOUS SURFACE REMOVAL 1 1/2"

PLOT DATE = 8/18/2005
 PLOT SCALE = 50.0000"
 USER NAME = ahpapardgd