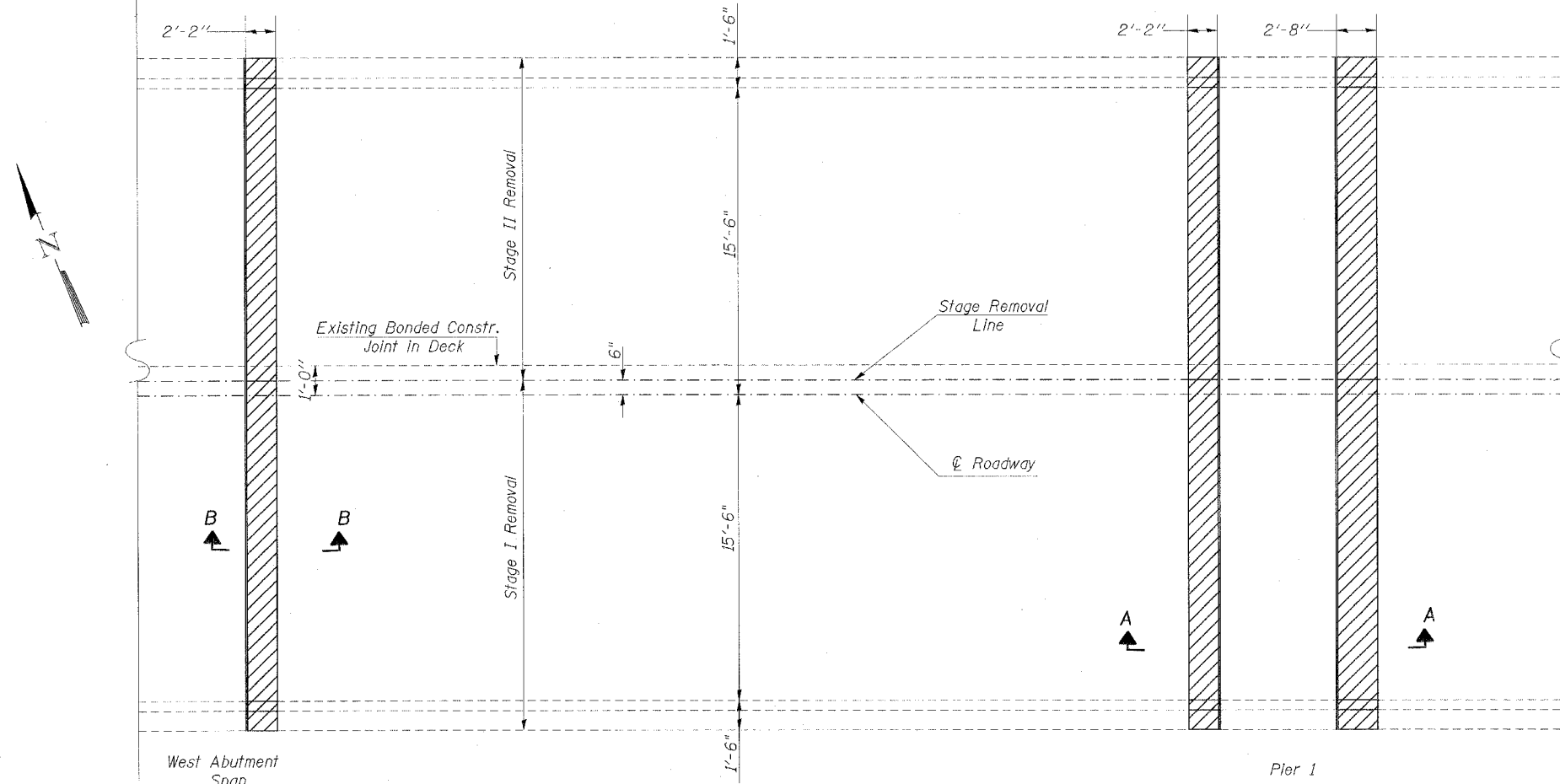


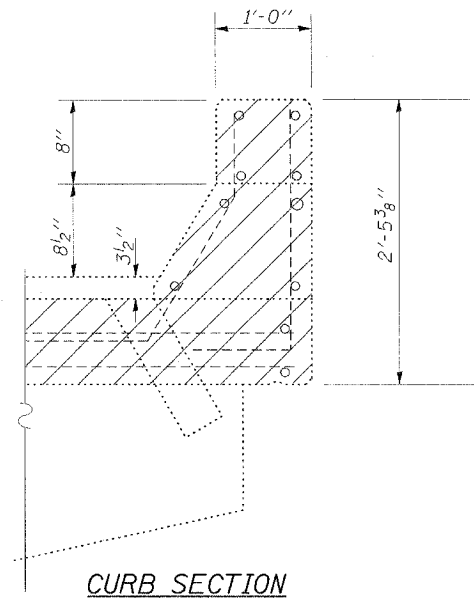
F.A. RTE.	SECTION	COUNTY	TOTAL SHEETS	SHEET NO.
885	*	POPE	16	7
STA. 709+74.60		TO STA. 714+62.27		
FED. ROAD DIST. NO.	ILLINOIS	FED. AID PROJECT		

* - D-9 BSMART FY 07-1

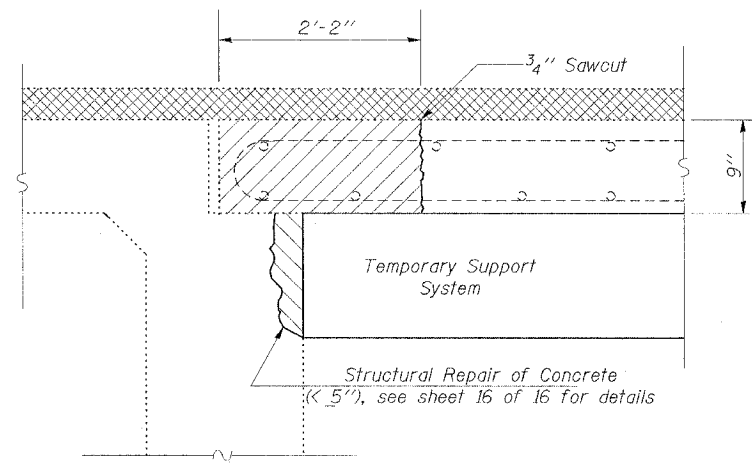
STATE OF ILLINOIS
DEPARTMENT OF TRANSPORTATION



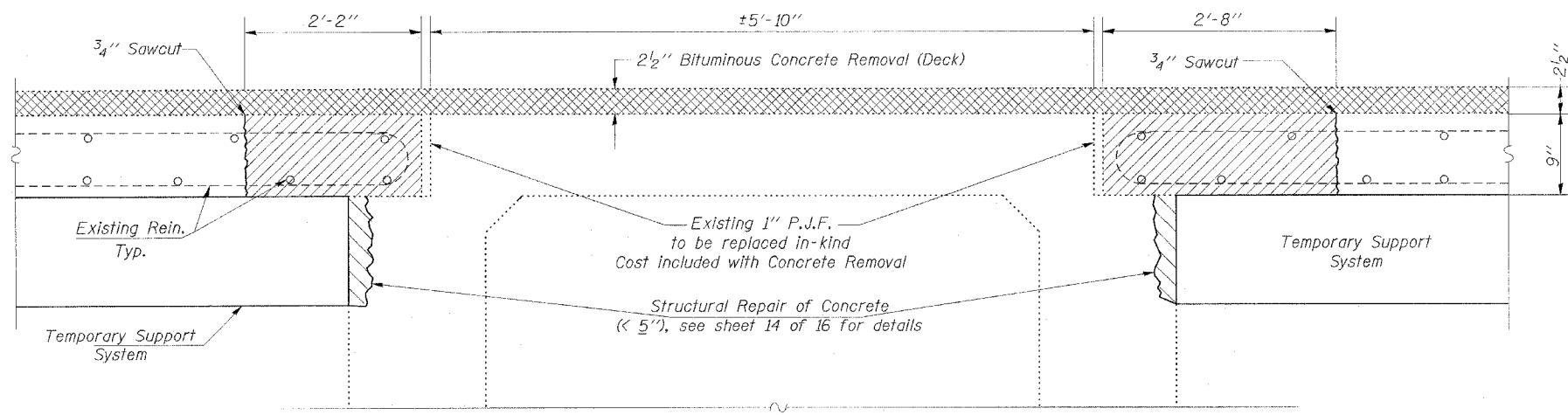
WEST PLAN



CURB SECTION



SECTION B-B
Existing West Abutment



SECTION A-A
Existing Pier 1

- Bituminous Concrete Removal (Deck)
- Concrete Removal
- Structural Repair of Concrete

Notes:
Work this sheet with
sheet 9 of 16

CONCRETE REMOVAL
ILL 146 OVER HILLS BRANCH
WEST DETAILS
POPE COUNTY
STA. 712+18.3
SN 076-0007