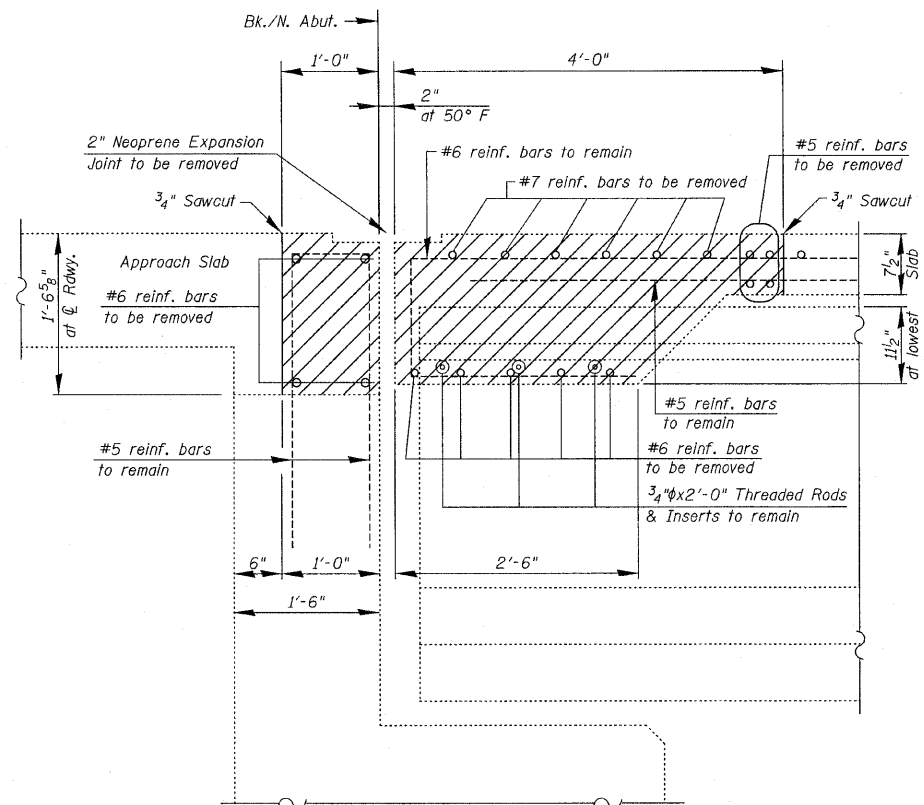
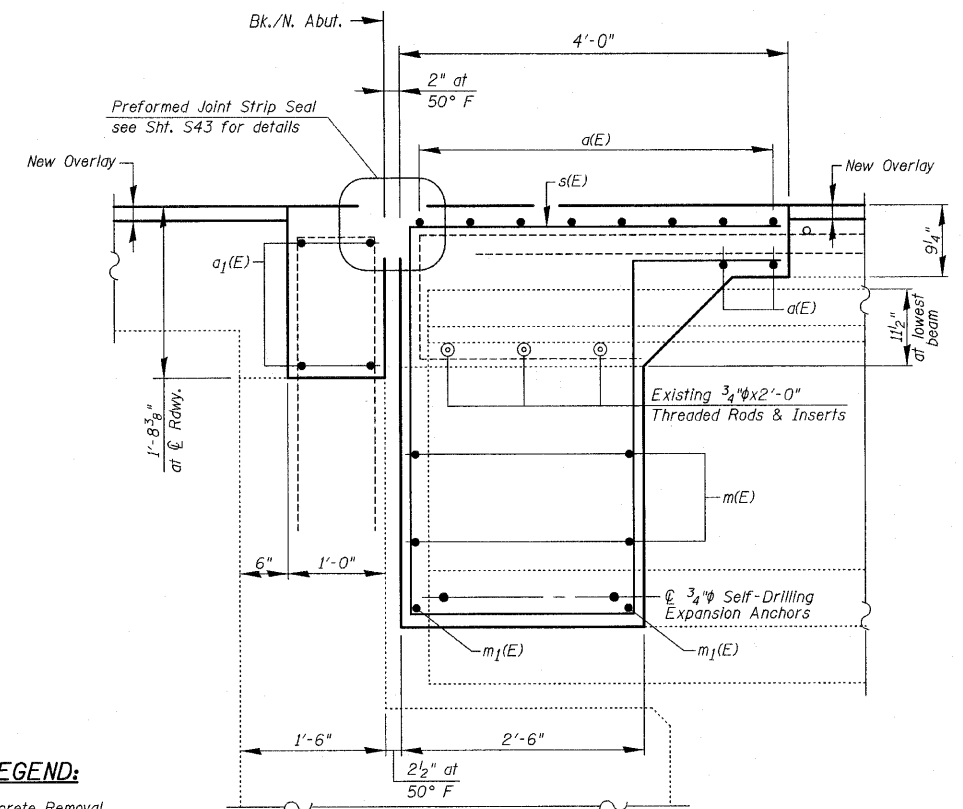


STATE OF ILLINOIS
DEPARTMENT OF TRANSPORTATION

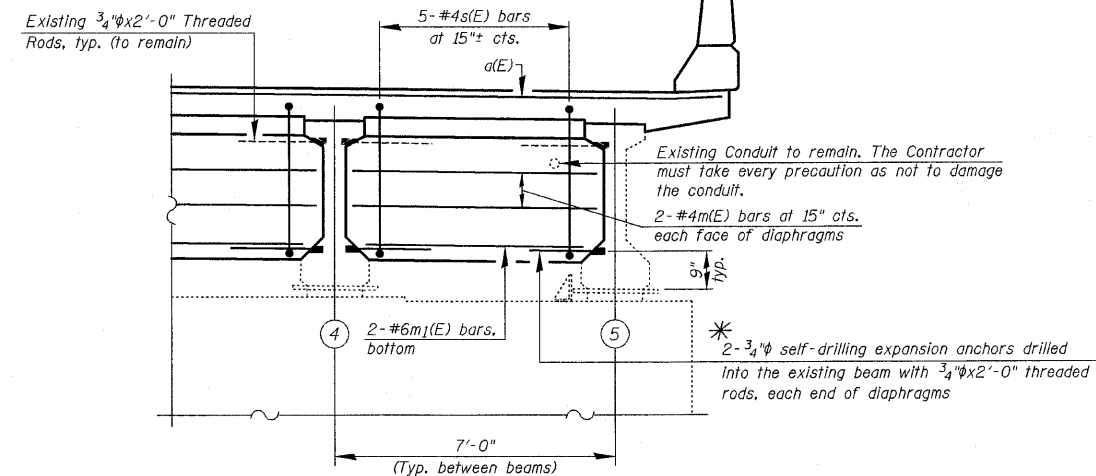
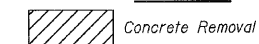


EXISTING
SECTION B-B



PROPOSED
SECTION B-B

LEGEND:



PROPOSED
SECTION C-C

* Expansion Anchors shall be placed to avoid all reinforcement. Cost of Expansion Anchors is included with Reinforcement Bars, Epoxy Coated (16 total)

EXPANSION JOINT &
DIAPHRAGM RECONSTRUCTION
DETAILS AT NORTH ABUTMENT
IL. RTE. 251 OVER IL. RTE. 38
C&NW R.R. AND B.N. R.R.
F.A.P. RTE. 740 (IL. RTE. 251)
SECTION (108HVB)M
OGLE COUNTY
STA. 856+44.00
STRUCTURE NO. 071-0066

DESIGNED -	2010
CHECKED -	EXAMINED
DRAWN -	ENGINEER OF BRIDGE DESIGN
CHECKED -	PASSED
	ENGINEER OF BRIDGES AND STRUCTURES

CHRISTIAN-ROGE & ASSOCIATES, INC.
ENGINEERS-PLANNERS-SURVEYORS
211 WEST WACKER DRIVE
CHICAGO, ILLINOIS 60606
PHONE: (312)372-2023 FAX: (312)372-5274

SHEET NO. S11	F.A.P. RTE. 740	SECTION (108HVB)M	COUNTY OGLE	TOTAL SHEETS 55	SHEET NO. 18
S43 SHEETS	CONTRACT NO. 64G24		ILLINOIS FED. AID PROJECT		