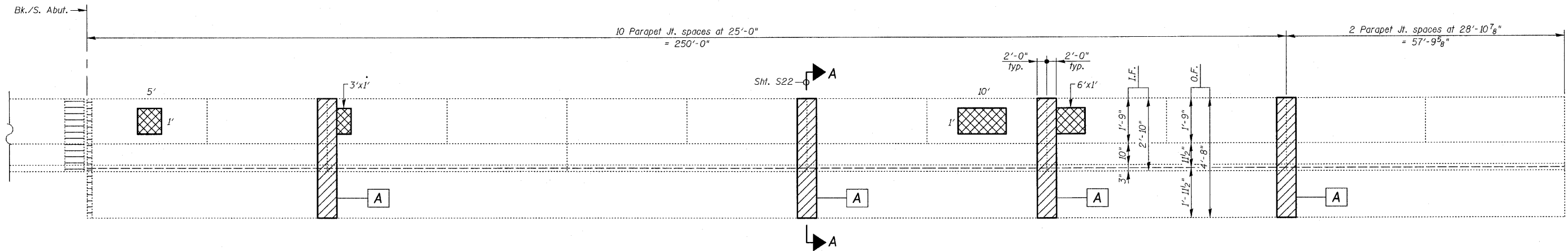
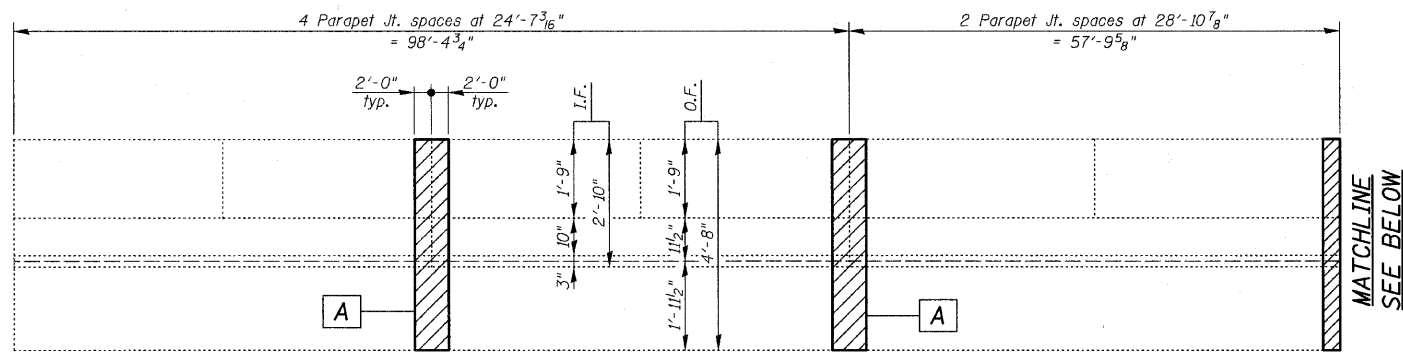


STATE OF ILLINOIS  
DEPARTMENT OF TRANSPORTATION



**ELEVATION**  
(Showing inside face of East Parapet above MSE Retaining Wall B)

**NOTE:**  
MSE Retaining Wall omitted for clarity



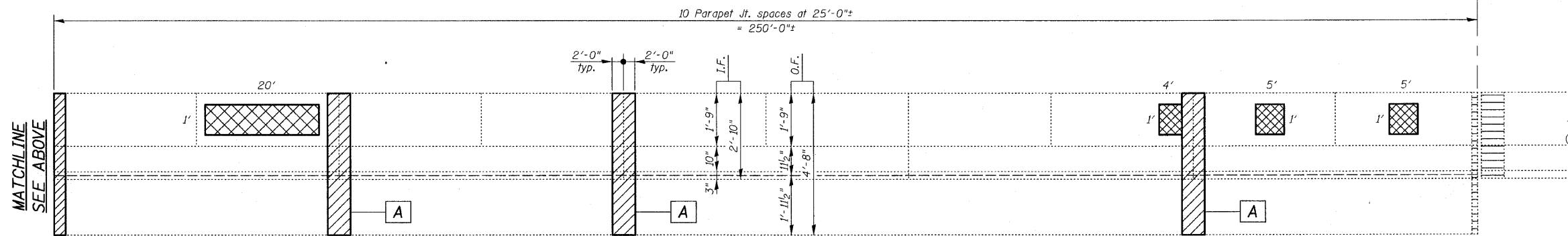
**ELEVATION**  
(Showing inside face of West Parapet above MSE Retaining Wall A)

**BILL OF MATERIAL**  
(For East parapet)

ITEM	UNIT	QUANTITY
Structural Repair of Concrete (Depth Equal To or Less Than 5 Inches)	Sq Ft	58
Protective Coat (Special)	Sq Yd	280
Surface Filler (Special)	Gallon	1

\* The locations to apply Surface Filler (Special) to be determined by the Engineer in accordance with the Special Provisions.

\*\* To be applied to the top & inside face of entire parapet.



**SOUTH APPROACH SLAB**

**LEGEND:**

O.F. = Outside Face  
I.F. = Inside Face

**LEGEND:**

- Approach Slab Parapet Joint Repair (Joint Type "A")
- Structural Repair of Concrete (Depth Equal To or Less Than 5 Inches)
- Bridge Deck Expansion Joint Reconstruction
- Joint Type

**NOTES:**

See Sh'ts. S8 thru S13 for Bridge Deck Expansion Joint Reconstruction details.  
See Sh't. S22 for Approach Slab Parapet Joint Repair details.  
Joint Type A has 1/8" Aluminum Sheet in base of Parapet.

**SOUTH APPROACH SLAB  
PARAPET REPAIRS**  
IL. RTE. 251 OVER IL. RTE. 38  
C&NW R.R. AND B.N. R.R.  
F.A.P. RTE. 740 (IL. RTE. 251)  
SECTION (108HVB)M  
OGLE COUNTY  
STA. 856+44.00  
STRUCTURE NO. 071-0066

DESIGNED -	2010
CHECKED -	EXAMINED
DRAWN -	PASSED
CHECKED -	ENGINEER OF BRIDGES AND STRUCTURES

ENGINEER OF BRIDGE DESIGN  
ENGINEER OF BRIDGES AND STRUCTURES

CHRISTIAN-ROGE & ASSOCIATES, INC.  
ENGINEERS-PLANNERS-SURVEYORS  
211 WEST WACKER DRIVE  
CHICAGO, ILLINOIS 60606  
PHONE: (312)372-2023 FAX: (312)372-5274

SHEET NO. S21	F.A.P. RTE. 740	SECTION (108HVB)M	COUNTY OGLE	TOTAL SHEETS 55	SHEET NO. 28
S43 SHEETS	CONTRACT NO. 64G24		ILLINOIS FED. AID PROJECT		