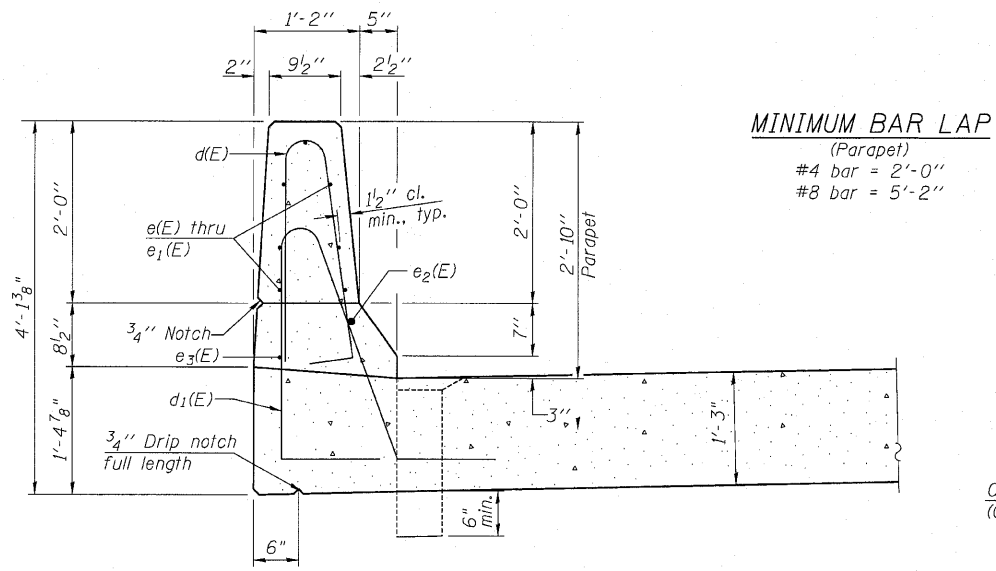
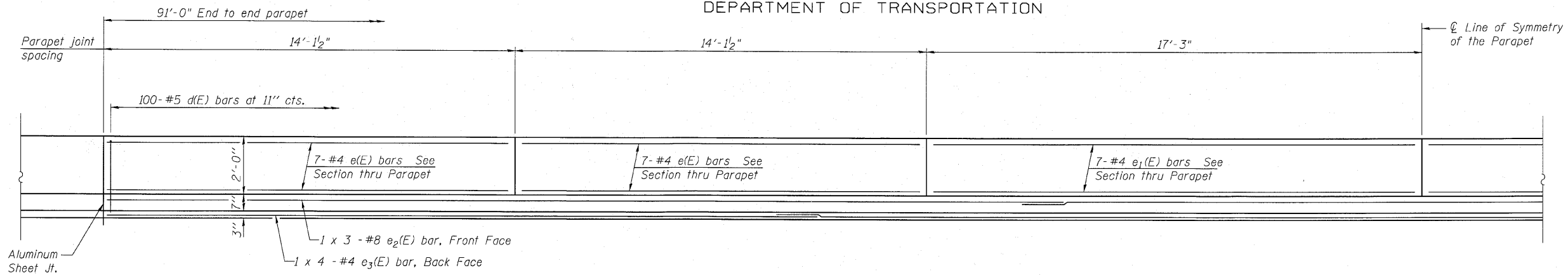


STATE OF ILLINOIS  
DEPARTMENT OF TRANSPORTATION

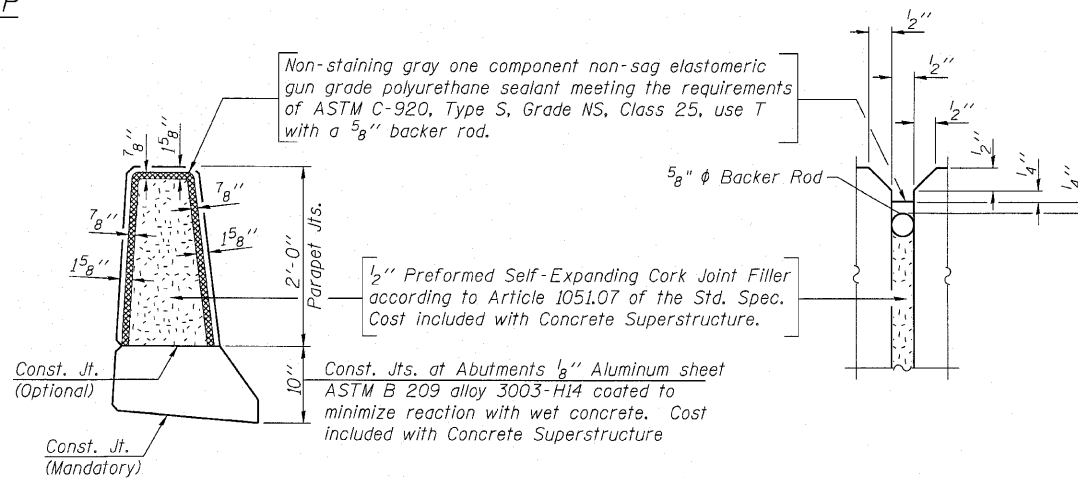


SECTION THRU PARAPET

**MINIMUM BAR LAP**  
(Parapet)  
#4 bar = 2'-0"  
#8 bar = 5'-2"

**INSIDE ELEVATION OF PARAPET**

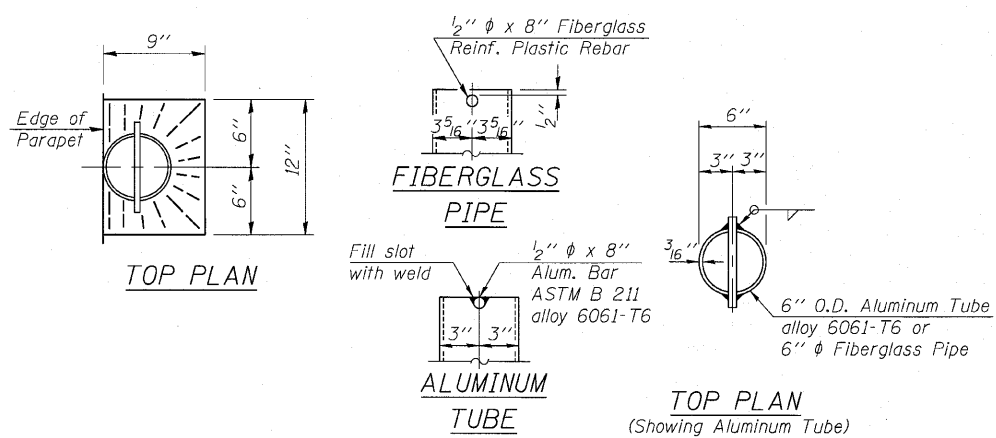
(North Parapet Shown, South Parapet Similar, Opposite Hand)



PARAPET JOINT DETAILS

Notes:  
The exterior surfaces of the floor drains shall be coated or pigmented by the Manufacturer with a color that matches the concrete.

Fiberglass pipe shall conform to ASTM D 2996, with short-time rupture strength hoop tensile stress of 30,000 p.s.i. minimum.



**SUPERSTRUCTURE DETAILS**  
STRUCTURE NO. 038-0221

SHEET NO. 9 OF 20 SHEETS	F.A.P. RTE.	SECTION	COUNTY	TOTAL SHEETS	SHEET NO.
	681	118BR	IROQUOIS	42	18
			CONTRACT NO. 66861		
FED. ROAD DIST. NO. _ ILLINOIS FED. AID PROJECT					

**ZROKA**  
engineering  
Zroka Engineering, P.C.  
4216 North Hermitage  
Chicago, IL 60613

Date: 7-28-10 Drawn By: FJS Checked By: DZ

S-I-D

11-1-09