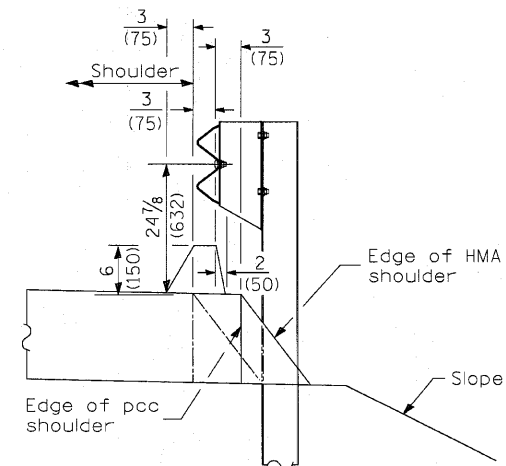


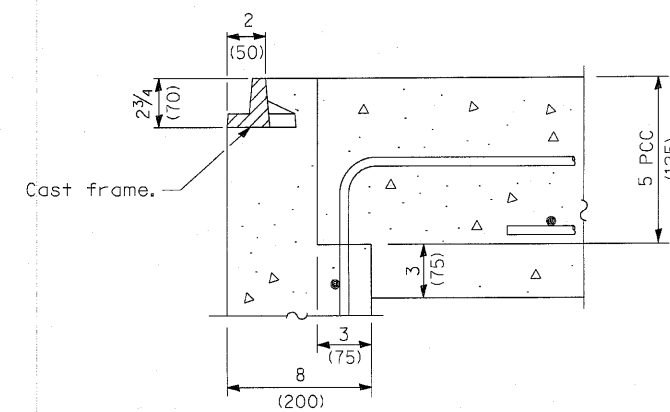
① Joints in prolongation with existing joints in pavements.

No. 6 (No. 19) Tie bars or expansion anchor ties at 24 (600) cts.

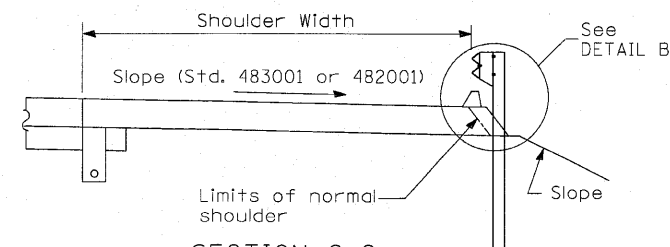
PLAN



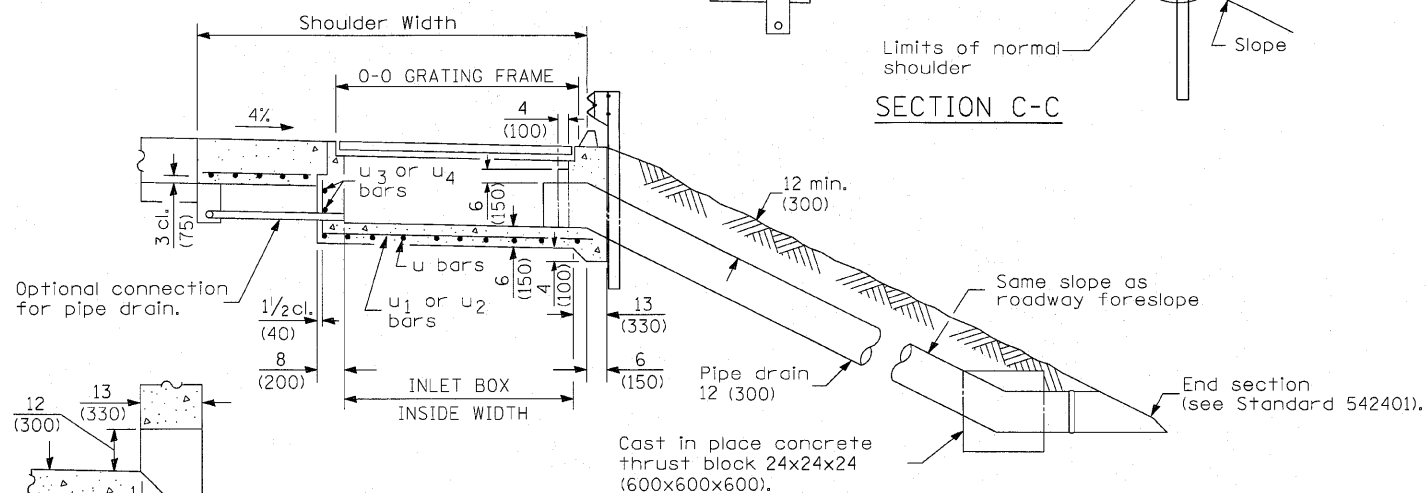
DETAIL B



DETAIL A



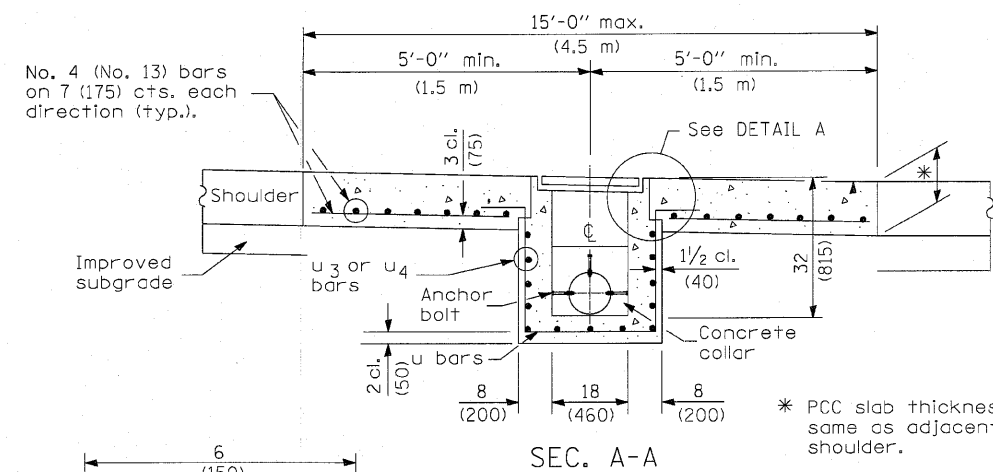
SECTION C-C



SEC. B-B

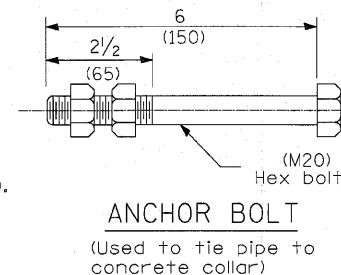
BOX OUTLET WHEN PRECAST

INLET TYPE	SHOULDER WIDTH	O-O GRATING FRAME	INLET BOX INSIDE WIDTH	INLET BOX INSIDE LENGTH
Type E	8' (2.4 m)	4'-4" (1.325 m)	3'-11" (1.195 m)	18 (460)
Type F	10' (3.0 m)	6'-5" (1.960 m)	6'-0" (1.830 m)	18 (460)
Type G	Less Than 5' (1.5 m)	2'-3" (0.690 m)	1'-10" (0.560 m)	18 (460)



SEC. A-A

* PCC slab thickness same as adjacent shoulder.



ANCHOR BOLT

(Used to tie pipe to concrete collar)

GENERAL NOTES

See Standard 420001 for joint details not shown.

All exposed edges of the inlet, except the upper perimeter, shall be beveled 3/4 (20).

For placement of drainage elements on existing construction with existing rigid pavement, substitute expansion anchor ties for tie bars. For nonrigid pavements or monolithic construction of pcc slab and shoulder, omit tie bars.

All dimensions are in inches (millimeters) unless otherwise shown.

SHOULDER INLET WITH CURB

(Sheet 1 of 2)

FILE NAME = ... \D366891-SHT-Details.dgn	USER NAME = SAW	DESIGNED - RAC	REVISED -
		DRAWN - SAW	REVISED -
		CHECKED - DAZ	REVISED -
		DATE - 07/30/10	REVISED -

STATE OF ILLINOIS
DEPARTMENT OF TRANSPORTATION

ZROKA
engineering
Zroka Engineering, P.C.
4216 North Hermitage
Chicago, IL 60613

DETAILS

SCALE: 1" = 50' SHEET NO. 37 OF 42 SHEETS STA. 159+89 TO STA. 167+17

F.A. RTE.	SECTION	COUNTY	TOTAL SHEETS	SHEET NO.
681	118 BR	IRROUOIS	42	37
CONTRACT NO. 66861				
ILLINOIS FED. AID PROJECT				