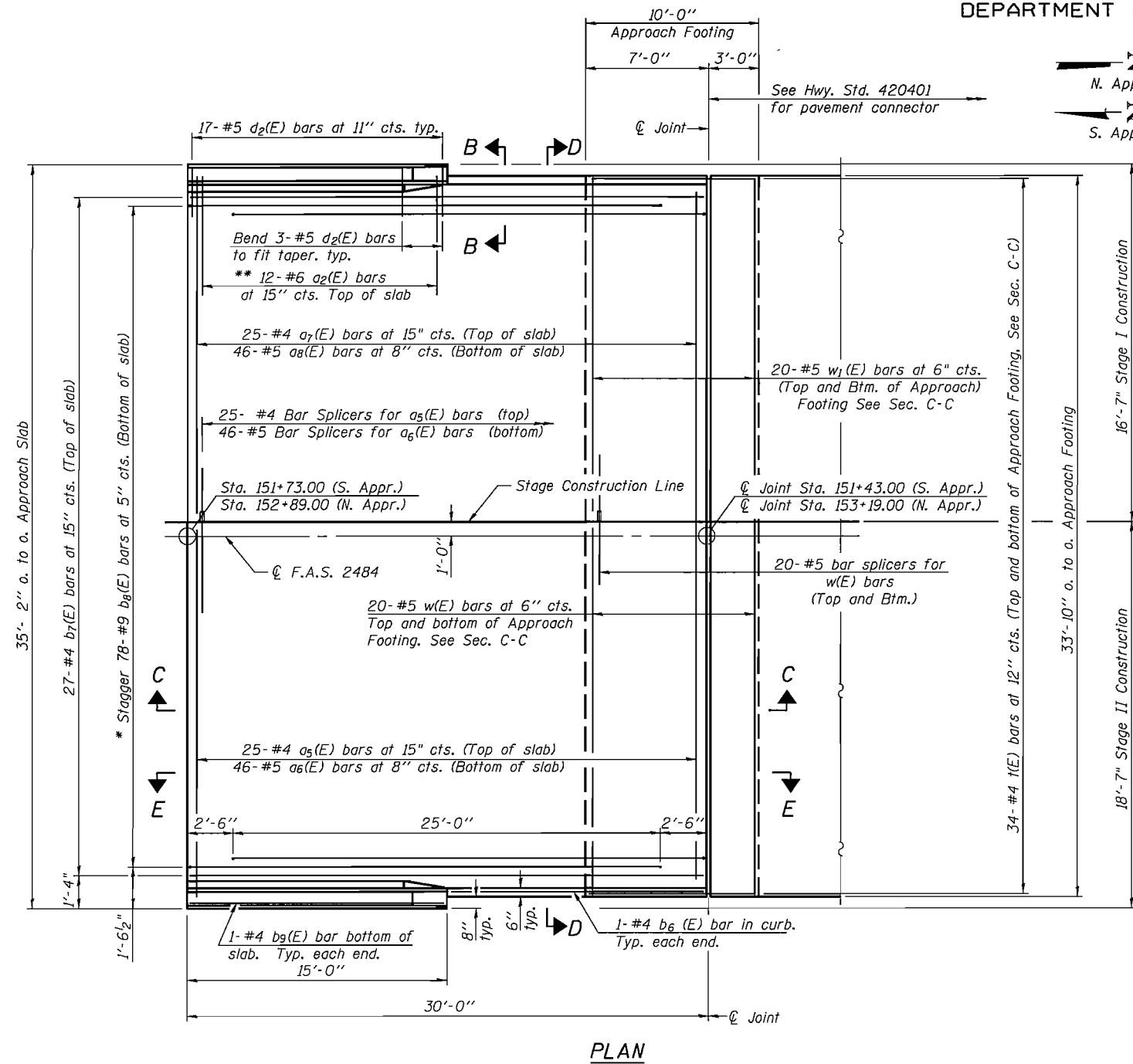


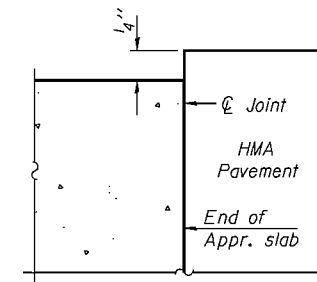
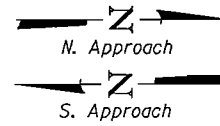
STATE OF ILLINOIS
DEPARTMENT OF TRANSPORTATION

Notes:
See sheet 6 of 17 for Sections C-C & D-D and View E-E.



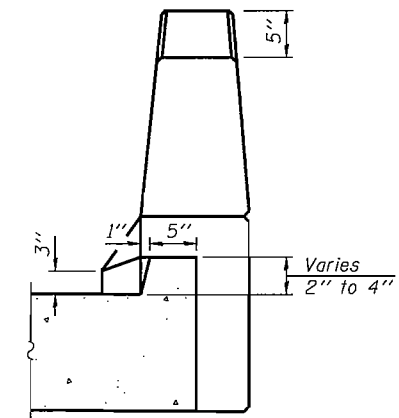
PLAN

* Tilt #9 b₈(E) bars as required to maintain clearance.
** Space between a₅(E) or a₇(E) bars, typ. ea. parapet.



HMA PAVEMENT

DETAIL A



VIEW B-B

DESIGNED	PBB/SAL
CHECKED	RKM/MCB
DRAWN	MLO
CHECKED	PBB

EXAMINED	200
PASSED	ENGINEER OF BRIDGE DESIGN
	ENGINEER OF BRIDGES AND STRUCTURES

BRIDGE APPROACH SLAB DETAILS
STRUCTURE NO. 057-0248

SHEET NO. 5 17 SHEETS	F.A.S. RTE. 2484	SECTION 124BR-1	COUNTY MCLEAN	TOTAL SHEETS 55	SHEET NO. 29
	CONTRACT NO. 70612				
FED. ROAD DIST. NO.		ILLINOIS	FED. AID PROJECT		