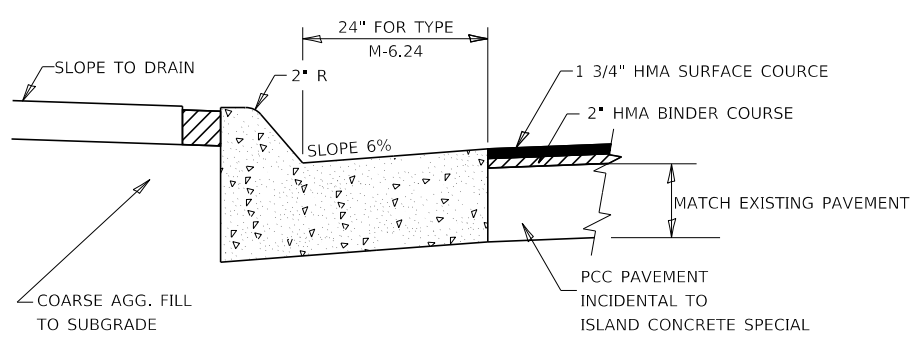
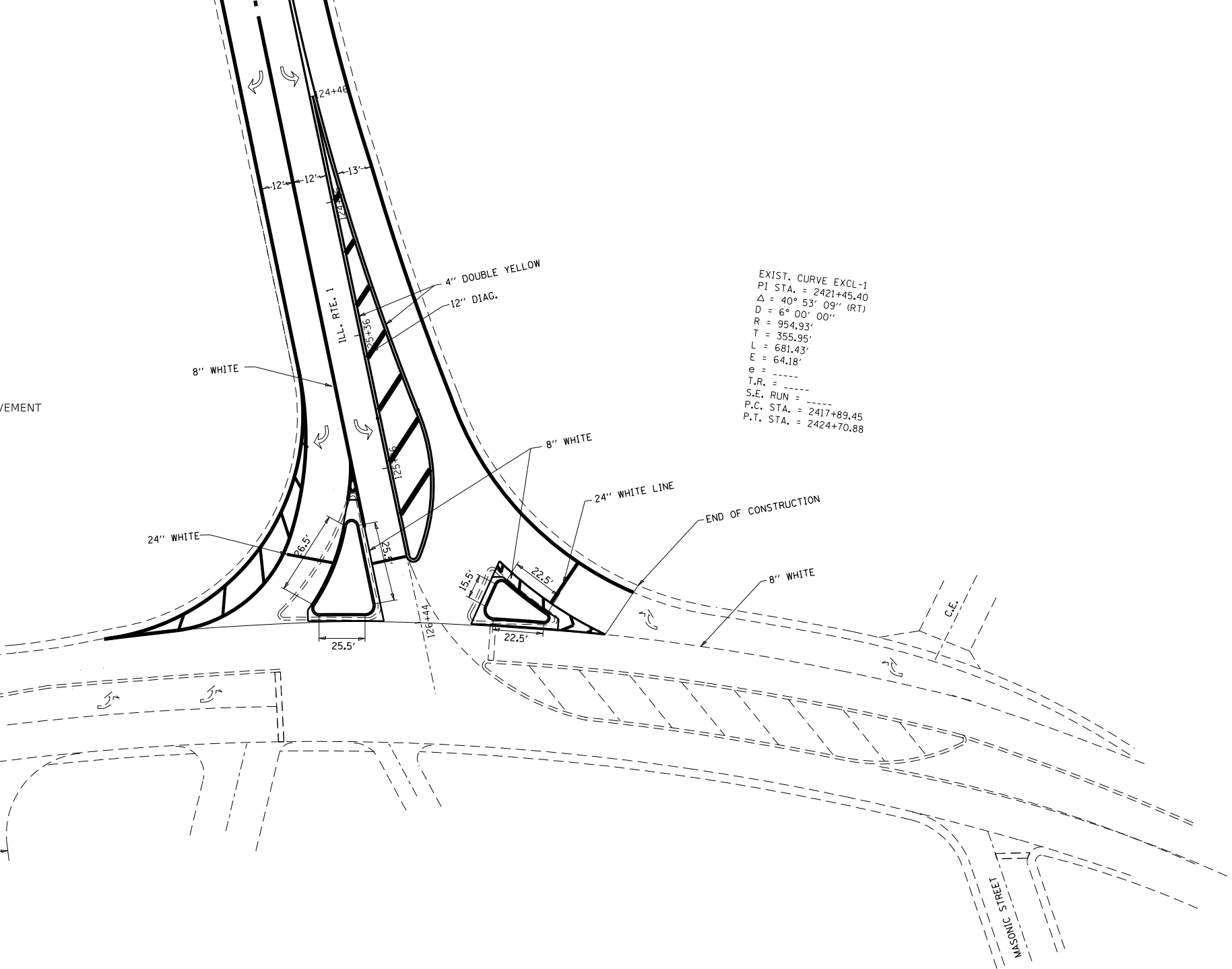




MATCH LINE STA. 124+03



**ISLAND REPLACEMENT DETAIL**



EXIST. CURVE EXCL-1  
 PI STA. = 2421+45.40  
 $\Delta = 40^\circ 53' 09''$  (RT)  
 $D = 6^\circ 00' 00''$   
 $R = 954.93'$   
 $T = 355.95'$   
 $L = 681.43'$   
 $E = 64.18'$   
 $e =$   
 $T.R. =$   
 $S.E. RUN =$   
 $P.C. STA. = 2417+89.45$   
 $P.T. STA. = 2424+70.88$

MODEL: Default  
 FILE: h:\mhc\p\pub\harcam.dwg  
 PROJECT: I:\Projects\66K54\CAD\Drawings\66K54-1-1-1-1.dwg  
 PLOT DATE: 10/28/2020

USER NAME = oyerjo	DESIGNED - _____	REVISED - _____
DRAWN - _____	REVISIONS - _____	REVISIONS - _____
PLOT SCALE = 100,0000' / in.	CHECKED - _____	REVISIONS - _____
PLOT DATE = 10/28/2020	DATE - _____	REVISIONS - _____

**STATE OF ILLINOIS  
 DEPARTMENT OF TRANSPORTATION**

**PAVEMENT MARKING DETAILS  
 IL 1 & IL 24**

SCALE: \_\_\_\_\_ SHEET 1 OF 1 SHEETS STA. \_\_\_\_\_ TO STA. \_\_\_\_\_

F.A.P. RTE.	SECTION	COUNTY	TOTAL SHEETS	SHEET NO.
332	(C-1,3,L,20)RS-2	IROQUOIS	59	49
CONTRACT NO. 66K54				