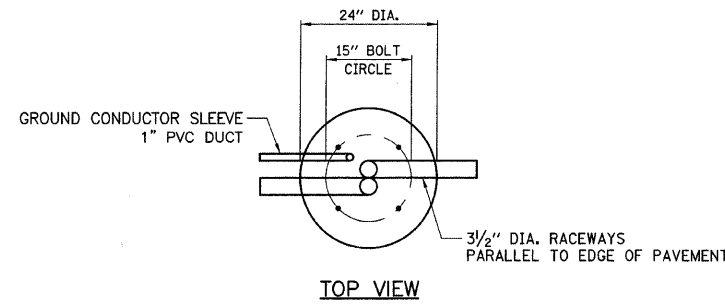
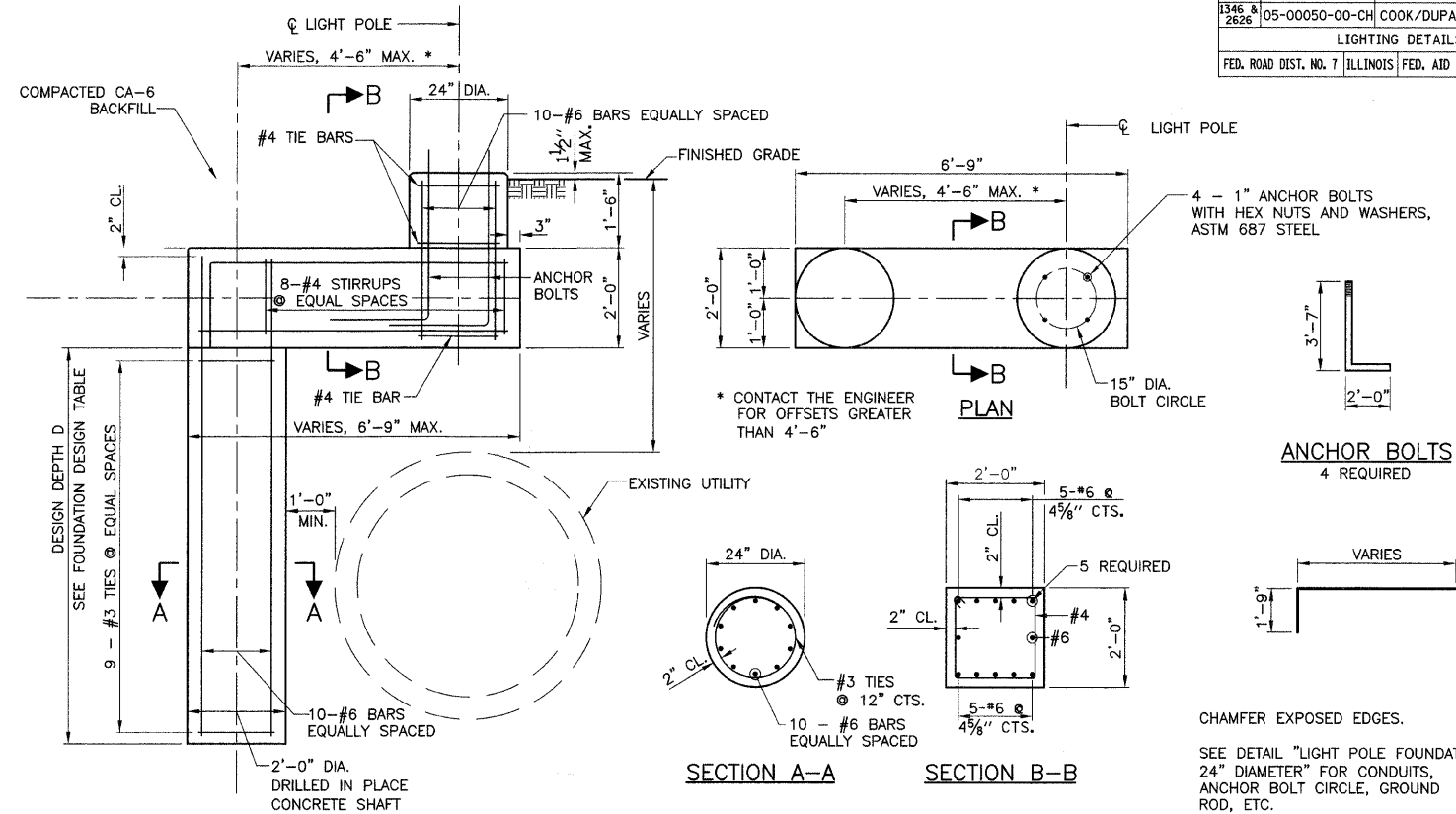


F.A.U. RTE.	SECTION	COUNTY	TOTAL SHEETS	SHEET NO.
1346 & 2626	05-00050-00-CH	COOK/DUPAGE	94	59
LIGHTING DETAILS				
FED. ROAD DIST. NO. 7 ILLINOIS FED. AID PROJECT M-8003(569)				

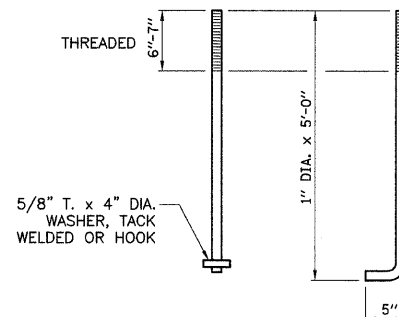
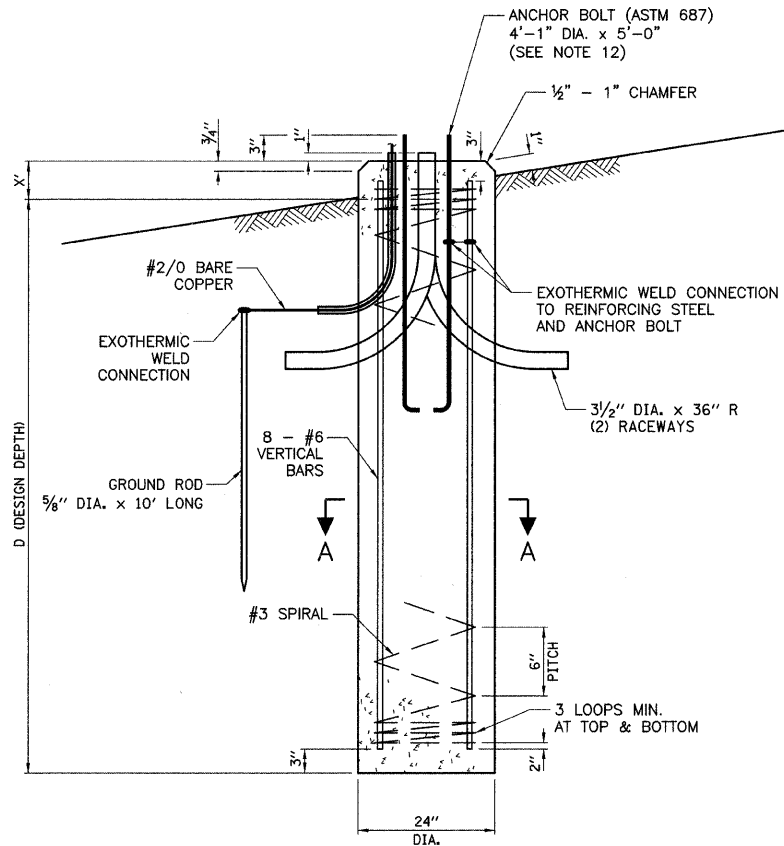


DESIGN TABLE  
LIGHT POLE FOUNDATION,  
24" DIAMETER, OFFSET

TYPE OF SOIL	DESIGN DEPTH OF FOUNDATION D
SOFT CLAY	13'-0"
MEDIUM CLAY	9'-6"
STIFF CLAY	7'-0"
LOOSE SAND	9'-0"
MEDIUM SAND	8'-3"
DENSE SAND	7'-9"



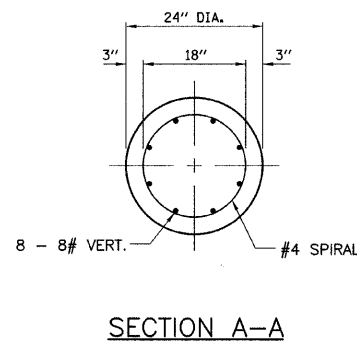
LIGHT POLE FOUNDATION, 24" DIAMETER, OFFSET



ANCHOR BOLT DETAIL

DESIGN TABLE - LIGHT POLE FOUNDATION, 24" DIAMETER

TYPE OF SOIL	DESIGN DEPTH OF FOUNDATION D	REINFORCEMENT IN FOUNDATION	
		VERT. BARS	SPIRAL
SOFT CLAY	13'-0"	8-#6 x 12'-6"	#3 x 122'
MEDIUM CLAY	9'-6"	8-#6 x 9'-0"	#3 x 90'
STIFF CLAY	7'-0"	8-#6 x 6'-6"	#3 x 66'
LOOSE SAND	10'-0"	8-#6 x 9'-6"	#3 x 94'
MEDIUM SAND	8'-3"	8-#6 x 8'-0"	#3 x 78'
DENSE SAND	7'-9"	8-#6 x 7'-6"	#3 x 73'
ROCK OR SOLIDIFIED SLAG	5'-0"	NONE	NONE



LIGHT POLE FOUNDATION, 24" DIAMETER

NOTES:

- THE ENGINEER SHALL DETERMINE THE CLASS OF SOIL DURING EXCAVATION AND SELECT THE DESIGN DEPTH OF FOUNDATION FROM THE DESIGN TABLE. THE CONTRACTOR SHALL NOT ORDER REINFORCEMENT BARS UNTIL THE OFFSET AND DIMENSION D ARE DETERMINED.
- EXCAVATION OF THE POLE FOUNDATION SHALL BE MADE WITH AN AUGER, 24" OR 30" IN DIAMETER.
- THE CONTRACTOR SHALL USE #3 SPIRAL AT 6" PITCH OR AT HIS OPTION MAY SUBSTITUTE #3 TIES AT 12" CENTER.
- THE ANCHOR SHALL BE A TACK WELDED TYPE BOLT OR HOOK TYPE BOLT. COLD BENDING OF THE HOOK BOLT WILL NOT BE ALLOWED.
- THE ANCHOR BOLTS AND RACEWAYS SHALL BE PROPERLY SECURED IN PLACE BEFORE THE CONCRETE IS PLACED IN THE FORM.
- THE ENTIRE LENGTH OF THE ANCHOR BOLTS AS WELL AS THE NUTS AND WASHERS SHALL BE HOT DIP GALVANIZED IN ACCORDANCE WITH THE REQUIREMENTS OF ASTM DESIGNATION A 153.
- CONCRETE SHALL BE CLASS "SI". CONCRETE FOUNDATION MUST BE CURED FOR (10) TEN DAYS BEFORE THE LIGHT STANDARD IS ERECTED.
- THE CABLE TRENCH SHALL BE BACKFILLED AND FIRMLY COMPACTED BEFORE THE LIGHT IS ERECTED.
- ANCHOR BOLTS SHALL PROJECT 3" ABOVE THE TOP OF THE FOUNDATION.
- RACEWAYS SHALL PROJECT 1" ABOVE THE TOP OF THE FOUNDATION.
- THE CONTRACTOR SHALL COORDINATE THE EXTENSION OF ANCHOR BOLTS ABOVE TOP OF FOUNDATION WITH THE BREAKAWAY DEVICE MANUFACTURER'S REQUIREMENTS.
- A MINIMUM OF 3" OF THE THREADING ON THE ANCHOR BOLTS SHALL REMAIN BELOW THE TOP OF THE FOUNDATION.

ILLINOIS DEPARTMENT OF TRANSPORTATION  
LIGHTING DETAILS

DATE: 5/27/08  
DESIGNED BY: JSM  
CHECKED BY: DNM

NOT TO SCALE