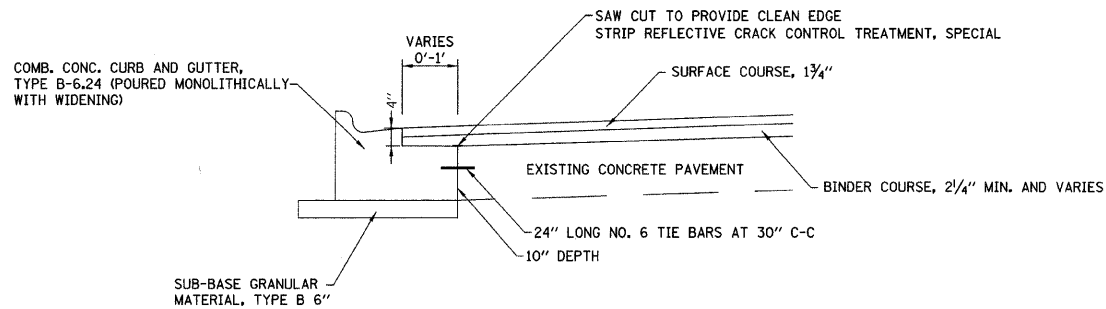
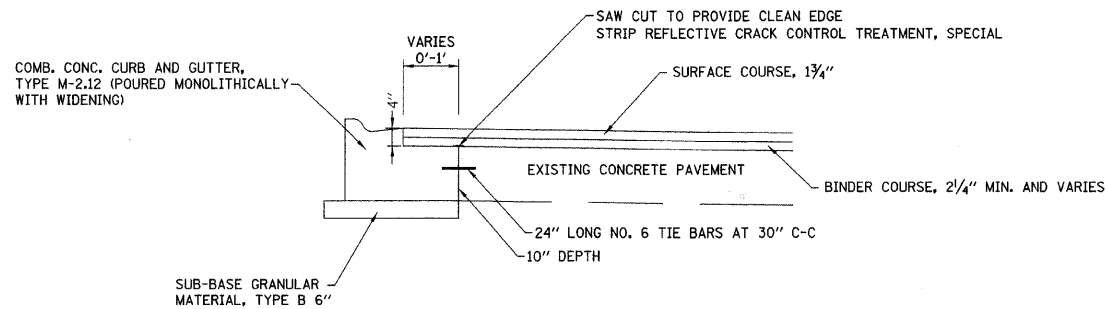


F.A.U. RTE.	SECTION	COUNTY	TOTAL SHEETS	SHEET NO.
1346 & 2626	05-00050-00-CH	COOK/DUPAGE	94	63
DETAILS				
FED. ROAD DIST. NO. 7 ILLINOIS FED. AID PROJECT M-8003/6591				



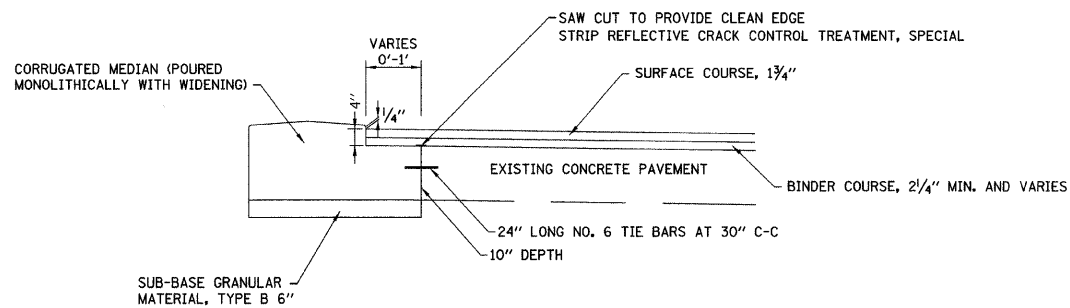
**COMBINATION CONCRETE CURB AND GUTTER, TYPE B-6.24**

AT LOCATIONS WHERE WIDENING IS 1' OR LESS



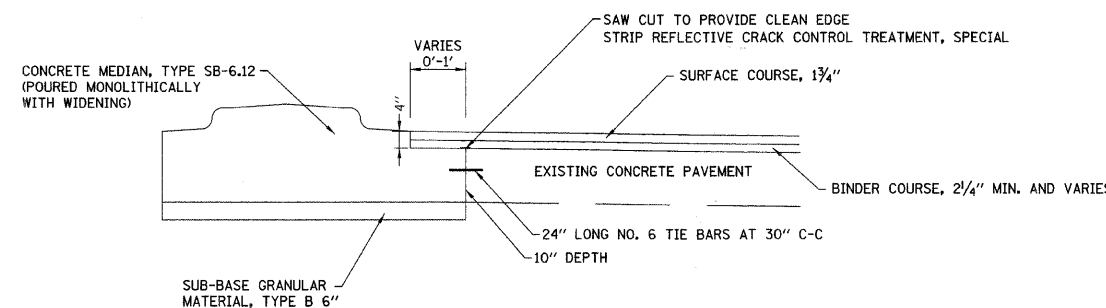
**COMBINATION CONCRETE CURB AND GUTTER, TYPE M-2.12**

AT LOCATIONS WHERE WIDENING IS 1' OR LESS



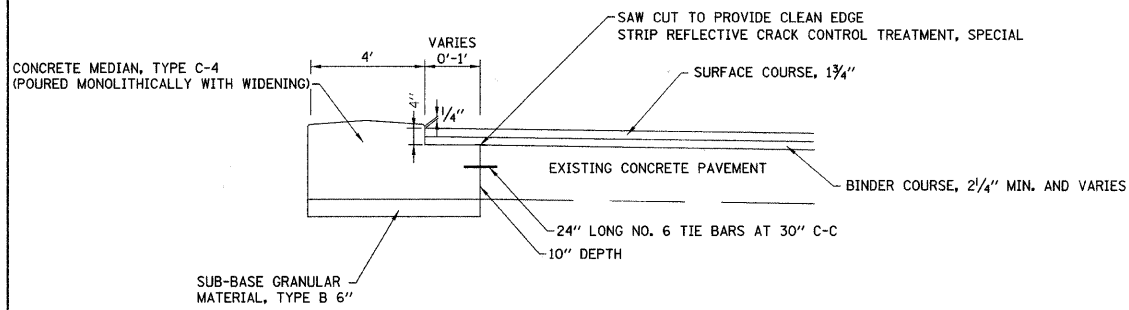
**CORRUGATED MEDIAN**

AT LOCATIONS WHERE WIDENING IS 1' OR LESS



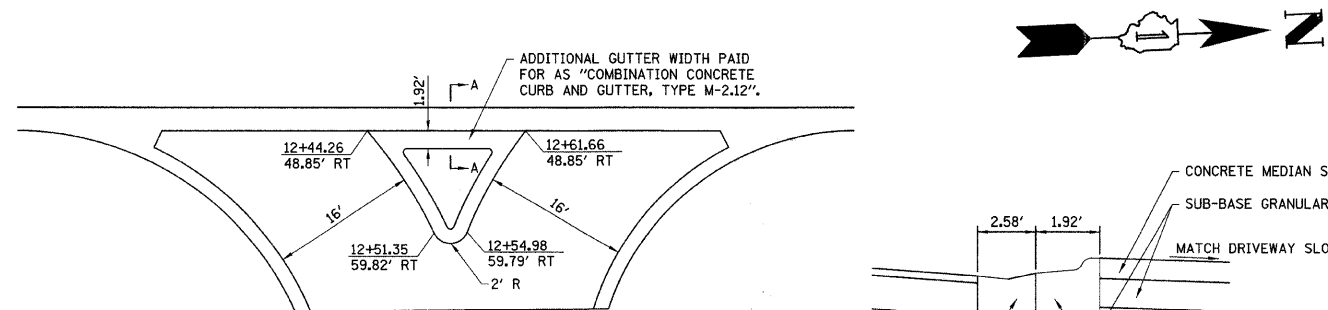
**CONCRETE MEDIAN, TYPE SB-6.12**

AT LOCATIONS WHERE WIDENING IS 1' OR LESS



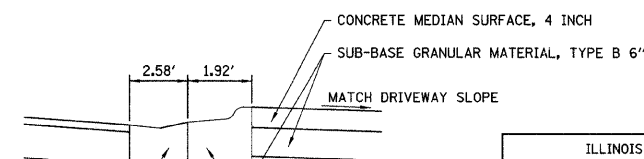
**CONCRETE MEDIAN, TYPE C-4**

AT LOCATIONS WHERE WIDENING IS 1' OR LESS



**CONCRETE MEDIAN DETAIL**

AT PARK DISTRICT ENTRANCE



**COMBINATION CONCRETE CURB AND GUTTER, TYPE B-6.24 (SPECIAL)**

SECTION A-A  
NOT TO SCALE

**COMBINATION CONCRETE CURB AND GUTTER, TYPE M-2.12**

ILLINOIS DEPARTMENT OF TRANSPORTATION

**ROADWAY DETAILS**

DATE: 5/27/08  
DESIGNED BY: KRK  
CHECKED BY: DJK

NOT TO SCALE