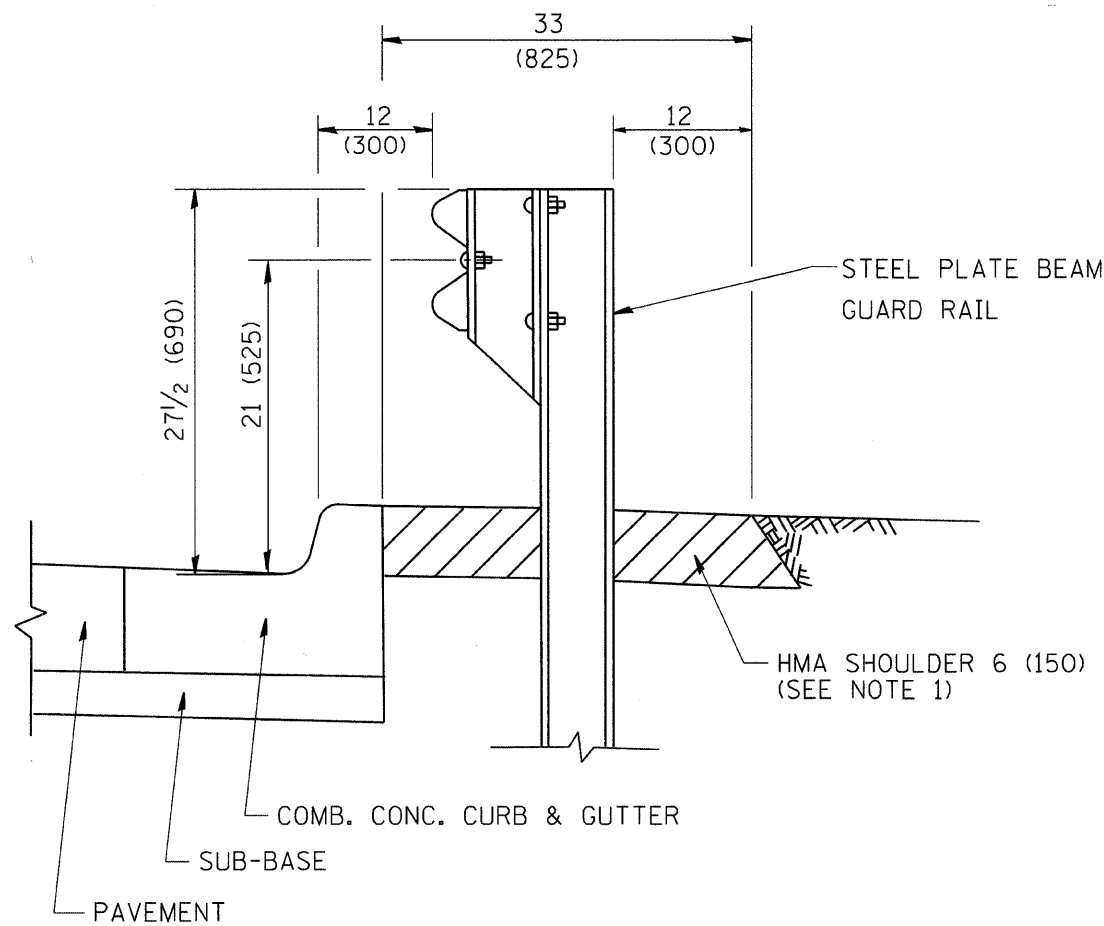


F.A.U. RTE.	SECTION	COUNTY	TOTAL SHEETS	SHEET NO.
134B / 2626	05-00050-00-CH	COOK/DUPAGE	94	66
STA.		TO STA.		
FED. ROAD DIST. NO. 1 ILLINOIS FED. AID PROJECT				



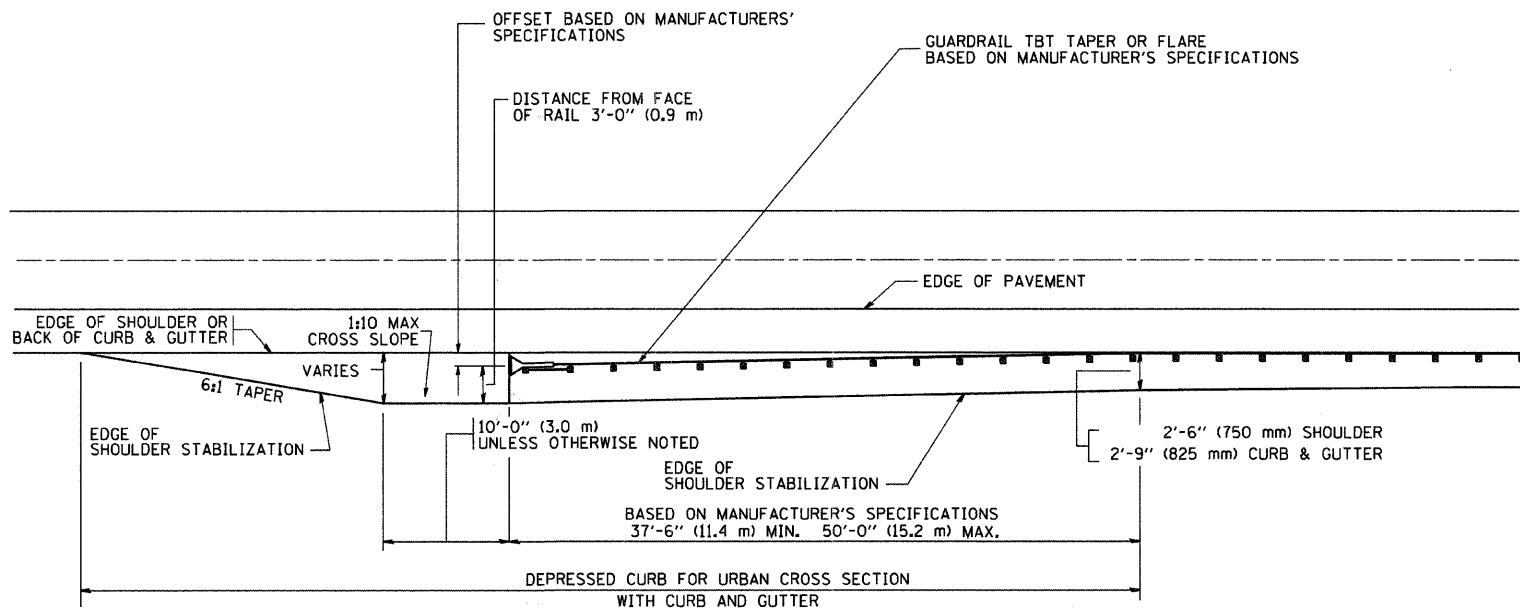
- NOTES: 1. THE HMA SHOULDER SHALL EXTEND UNDER THE TRAFFIC BARRIER TERMINAL
2. GUARD RAIL MAY BE PLACED AT THE BACK OF CURB WHEN DIRECTED BY THE ENGINEER.

BASIS OF PAYMENT: HMA SHOULDER 6 (150) WILL BE PAID FOR AT THE CONTRACT UNIT PRICE PER SQUARE YARD (SQUARE METER) FOR "HOT-MIX ASPHALT SHOULDER 6" (150 mm)".

STEEL PLATE BEAM GUARD RAIL AND TRAFFIC BARRIER TERMINAL, OF THE TYPE SPECIFIED WILL BE PAID FOR SEPARATELY.

DETAILS FOR STEEL PLATE BEAM GUARD RAIL ADJACENT TO CURB AND GUTTER
 [FOR ROADWAY SPEED 35 MPH (60 kmh) TO 45 MPH (70 kmh)]

PLOT DATE = 3/15/2007
 FILE NAME = K:\data\std\bd34.dgn
 PLOT SCALE = 66.0000 / IN.
 USER NAME = baward



STABILIZATION AT TBT TY. 1 SPL.

TBT = TRAFFIC BARRIER TERMINAL
 ALL DIMENSIONS ARE IN INCHES (MILLIMETERS) UNLESS OTHERWISE SHOWN.

REVISIONS	
NAME	DATE
M. DE YONG	09-22-90
M. DE YONG	07-14-92
R. SHAH	09/09/94
R. SHAH	10/25/94
R. SHAH	02/23/95
A. ABBAS	03/21/97
E. GOMEZ	08/28/00
R. BORO	01/01/07

ILLINOIS DEPARTMENT OF TRANSPORTATION
DETAILS FOR STEEL PLATE BEAM GUARD RAIL ADJACENT TO CURB AND GUTTER STABILIZATION AT TBT TY 1 SPL.

SCALE: VERT. NONE
 HORIZ. NONE
 DRAWN BY Jls
 CHECKED BY