

STEEL	TYPE A	TYPE B	TYPE C
a	3 1/4"	3 3/8"	2"
b	1 1/4"	1 1/2"	1 1/8"
c	1 7/8"	1 1/2"	1"
S <sub>x</sub> x IN <sup>3</sup>	0.223	0.341	-
W <sub>WT</sub>	2.00	3.00	1.12
D	55 HOLES (MIN)	18 MIN.	
L	VARIABLE	7.0	
T	3"	1 1/4"	

MINIMUM NOMINAL

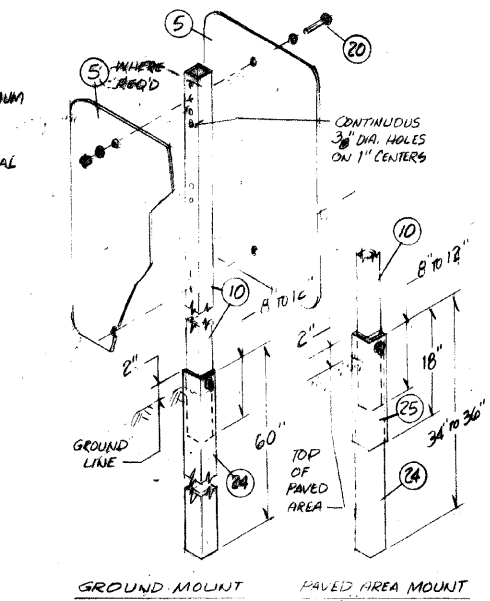
ALUMINUM	TYPE A	TYPE B
a	3 1/2"	4 5/8"
b	1 5/8"	2 1/4"
c	1 7/8"	2 3/8"
S <sub>x</sub> x IN <sup>3</sup>	0.435	0.888
W <sub>WT</sub>	0.90	1.30
D	55 HOLES (MIN)	
L	VARIABLE	
T	3"	

MINIMUM NOMINAL

ALL HOLES ARE 3/8" DIA. ON 1" CENTERS.  
 NO SPICES ALLOWED.  
 TYPE C USED FOR DELIMITATORS WHEN SPECIFIED ON THE PLAN.

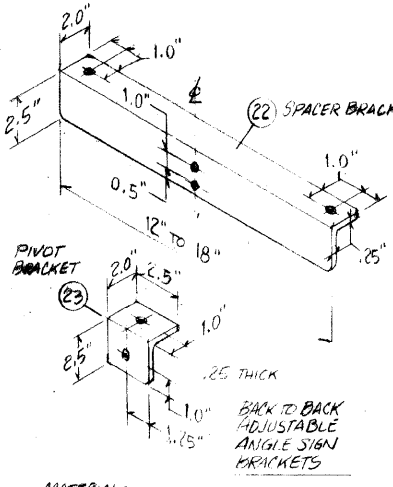
7 METAL POST - TYPE A, B AND C

- SIGN PANEL: WIDER THAN 30" AND 24" OR MORE IN DEPTH.
- SIGN PANEL: VARIABLE X 18" - 72" WIDE, MAXIMUM.
- SIGN PANEL: WIDER THAN 42". 2 OR MORE POSTS.
- SIGN PANEL: 6.5 SQ. FT. OR LARGER IN AREA (UNLESS OTHERWISE INDICATED ON THE PLAN). 2 POSTS.
- SIGN PANEL: LESS THAN 6.5 SQ. FT. IN AREA AND NOT WIDER THAN 30". SINGLE POST OR OTHER SUPPORT.
- SIGN PANEL: 36" MAX. DIAMETER ON SINGLE WOOD OR STEEL POST.
- ROUND POST OR POLE; LIGHT STANDARD OR TRAFFIC SIGNAL.
- TRAFFIC SIGNAL MAST ARM.

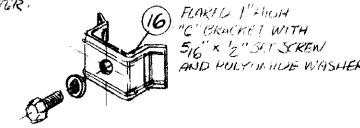
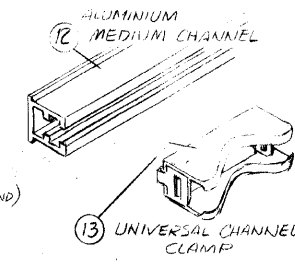


10 TELESCOPING STEEL SIGN SUPPORT  
 2" x 2" SQUARE TUBULAR TOP SECTION

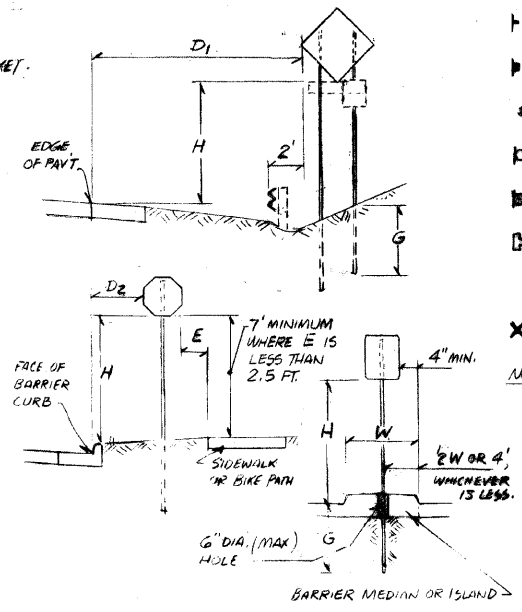
- 4" x 6" WOOD SIGN SUPPORT.
- 3/4" WIDE X 0.030" THICK STAINLESS STEEL BAND, TYPE 201. (REGULAR BAND)
- STAINLESS STEEL DUCKLE, TYPE 201 TO FIT REGULAR BAND.
- 1 1/4" x 1 1/4" H.W. #3 SELF TAPPING SIGN SCREW WITH NEOPRENE WASHER.
- 5/16" DIA. SQUARE HEAD BOLT, WASHER AND LOCKNUT.
- 5/16" DIA. HEX HEAD BOLT, NYLON WASHER, REG. WASHER AND LOCKNUT.
- NON SLIP WASHER.
- 2 1/4" x 2 1/4" BASE SECTION.
- 2 1/2" x 2 1/2" SLEEVE SECTION.



MATERIAL: STANDARD ALUMINUM ANGLE, 2" x 2 1/2" x 1/4"; AA X 201-T6



TYPICAL CLEARANCES



- D1 NOT LESS THAN 12 FT. (6 FT. IF ALLOWED BY THE ENGINEER IN AREAS OF LIMITED SIGHT DISTANCE OR OTHER RESTRICTIONS).
- D2 6 FT. OR MORE DESIRED. NOT LESS THAN 2 FT. WHERE 40 M.P.H. OR HIGHER IS POSTED. 1 FT. MIN. MAY BE ALLOWED IN AREAS OF 35 M.P.H. AND LOWER.
- H NORMALLY NOT LESS THAN 7 FT. MAY BE 5 FT. MIN. IN RURAL AND FOREST PRESERVE AREAS WITH NO PARKING.
- G METAL POSTS: TYPE A - 3 1/2 FT. MIN., TYPE B - 4 FT. MIN., 4" x 6" WOOD - 5 FT. MIN. FOR OTHER SUPPORTS SEE THE APPLICABLE SPECIFICATIONS.

EXPLANATION OF SYMBOLS

- METAL POST(S) - TYPE A.
  - METAL POST(S) - TYPE B.
  - METAL POST - TYPE B, SUPPORTING BACK TO BACK ADJUSTABLE ANGLE SIGNS.
  - SIGN MOUNTED ON LIGHT STANDARD, TRAFFIC SIGNAL POST OR MAST ARM.
  - OTHER SUPPORT TYPE AS SPECIFIED ON THE PLAN.
  - EXISTING SIGN ASSEMBLY TO REMAIN IN PLACE, BE RE-ERECTED OR RELOCATED AS DIRECTED BY THE ENGINEER AND IN ACCORDANCE WITH ARTICLE 107.22 OF THE STANDARD SPECIFICATIONS FOR ROAD AND BRIDGE CONSTRUCTION.
  - EXISTING SIGN ASSEMBLY BEYOND THE CONSTRUCTION LIMITS TO BE REMOVED.
- NOTE: EXCEPT FOR SIGNS SHOWN: [B] AND/OR OTHERWISE SPECIFIED, ALL EXISTING TRAFFIC SIGN ASSEMBLIES WITHIN THE CONSTRUCTION LIMITS SHALL BE REMOVED. SEE THE SPECIAL PROVISION.

GENERAL NOTES FOR SIGNING

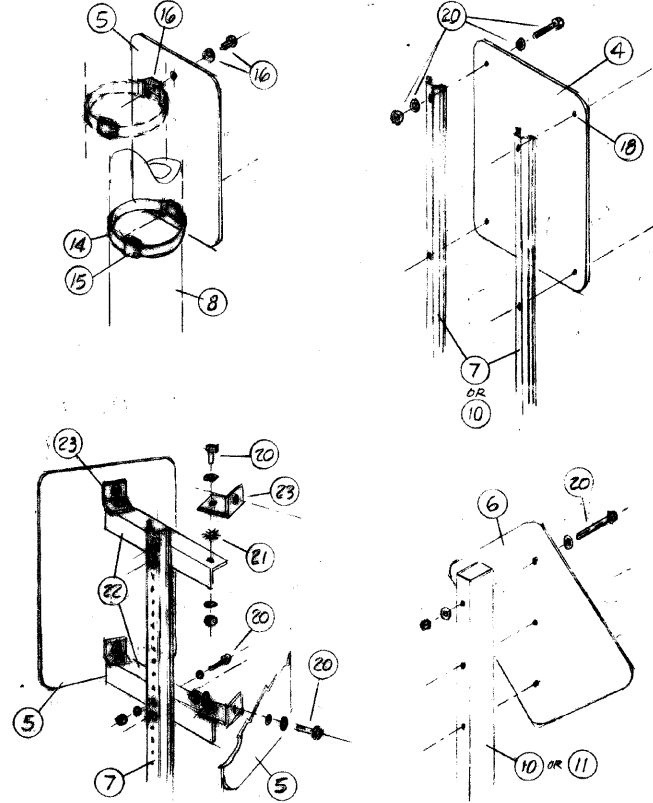
- THE DESIGN OF ALL STANDARD TRAFFIC SIGNS SHALL CONFORM WITH THE STATE OF ILLINOIS MANUAL ON UNIFORM TRAFFIC CONTROL DEVICES FOR STREETS AND HIGHWAYS. (M.U.T.C.D.). SPECIAL AND VARIABLE MESSAGE SIGNS SHALL CONFORM WITH THE DETAILS AS SHOWN ON THE PLANS.
- ALL SIGNS, SUPPORTS, MATERIAL AND RELATED WORK SHALL BE IN ACCORDANCE WITH THE APPLICABLE SECTIONS OF THE ILLINOIS DEPARTMENT OF TRANSPORTATION STANDARD SPECIFICATIONS FOR TRAFFIC CONTROL ITEMS, THE STANDARD SPECIFICATIONS FOR ROAD AND BRIDGE CONSTRUCTION, THE SPECIAL PROVISIONS AND THE PLANS.
- SIGN SUPPORT LENGTHS SHALL BE DETERMINED AT THE SITE IN ACCORDANCE WITH THE CLEARANCES AND OFFSET LOCATIONS SHOWN.
- IT SHALL BE THE RESPONSIBILITY OF THE CONTRACTOR TO DETERMINE THE LOCATION OF ANY UNDERGROUND ELECTRIC CABLES, UTILITY LINES OR DRAINAGE STRUCTURES IN THE VICINITY BEFORE BEGINNING WORK. AN ASSEMBLY SHALL BE RELOCATED FROM THE STATION SHOWN ON THE PLAN WHERE NECESSARY TO AVOID DAMAGING ANY UNDERGROUND INSTALLATION.
- WHERE METAL POSTS ARE SPECIFIED, 2 POSTS SHALL SUPPORT A SIGN PANEL ASSEMBLY HAVING A TOTAL AREA OF 6.5 SQ. FT. OR MORE. A 6 FT. X 2.5 FT. AND LARGER SIGN PANEL ASSEMBLY SHALL BE SUPPORTED WITH 3 POSTS.
- THE TRAFFIC OPERATIONS DIVISION OF THE COOK COUNTY HIGHWAY DEPARTMENT SHALL BE NOTIFIED TEN (10) DAYS PRIOR TO THE ESTIMATED DATE OF THE INSTALLATION OF THE PERMANENT TRAFFIC CONTROL DEVICES.

MOUNTING ASSEMBLY NOTES

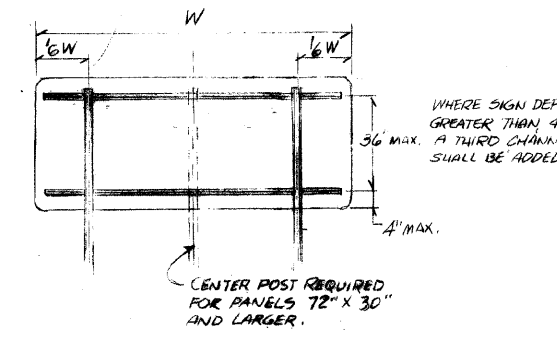
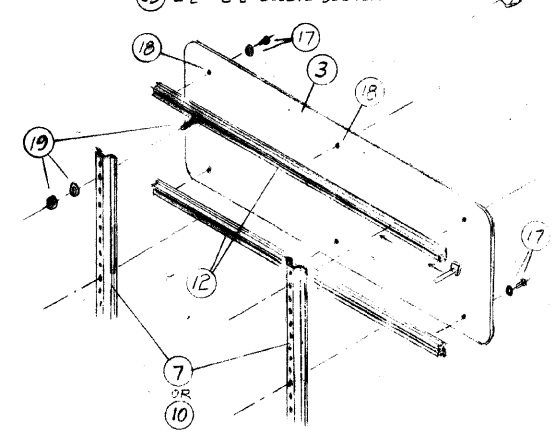
EXCEPT FOR NYLON AND NEOPRENE WASHERS WHERE INDICATED, ALL MOUNTING HARDWARE SHALL BE ZINC OR CADMIUM PLATED STEEL, ALUMINUM OR STAINLESS STEEL. ALL BOLTS AND NUTS SHALL HAVE NATIONAL COURSE (UNC) THREAD.

SUPPORTING CHANNELS SHALL BE USED ON RECTANGULAR PANELS UNDER THAN 36" ON A SINGLE SUPPORT AND ON PANELS WIDER THAN 48" WHEN MOUNTED ON MORE THAN ONE POST, AND ON DIAMOND SHAPED 48" x 48" PANELS. CHANNELS MAY BE USED TO MOUNT 2 TYPE 1 ADJACENT SIGN PANELS.

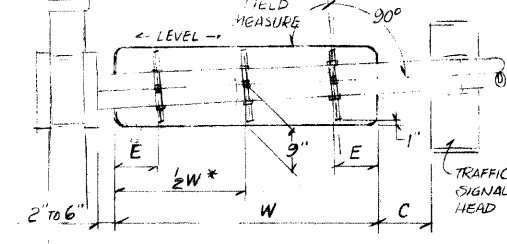
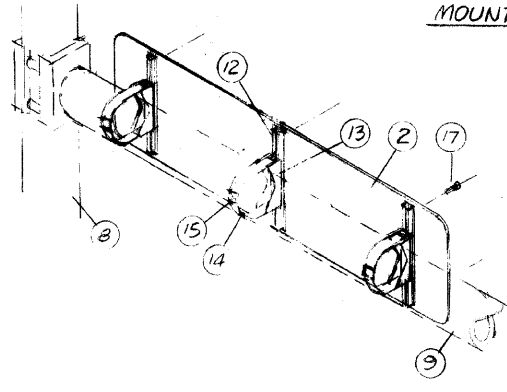
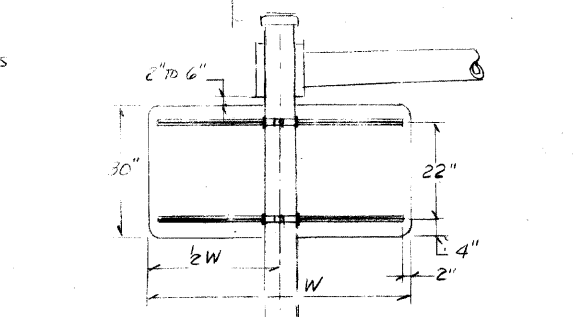
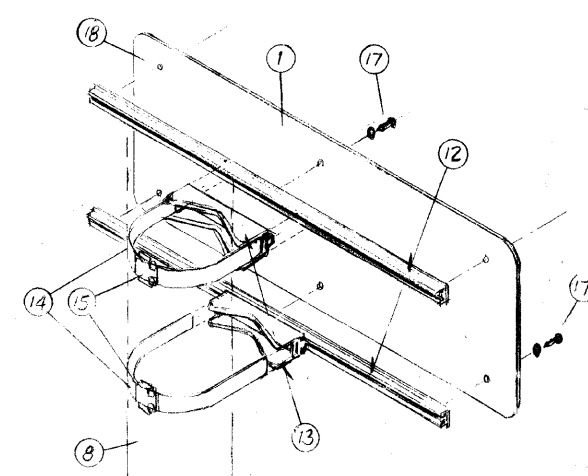
MOUNTING METHODS AND MATERIAL OTHER THAN THAT SHOWN ARE ACCEPTABLE UPON THE APPROVAL OF THE ENGINEER AND WHERE COMPLETELY INTERCHANGEABLE WITH EXISTING INSTALLATIONS ON COUNTY AND STATE ROADWAYS.



BACK TO BACK ADJUSTABLE ANGLE MOUNTING



SIGN PANEL MOUNTING DETAILS



INCHES:

W	42"	48"	54"	60"	66"	72"
E	8	10	11	10	11	12
C	.75 W OR MORE DESIRED; 1'-0" MINIMUM					

\* NO CENTER MOUNTING REQ'D

TRAFFIC SIGN MOUNTING DETAILS

TRAFFIC DIVISION  
 COOK COUNTY HIGHWAY DEPARTMENT

STANDARD 304-2