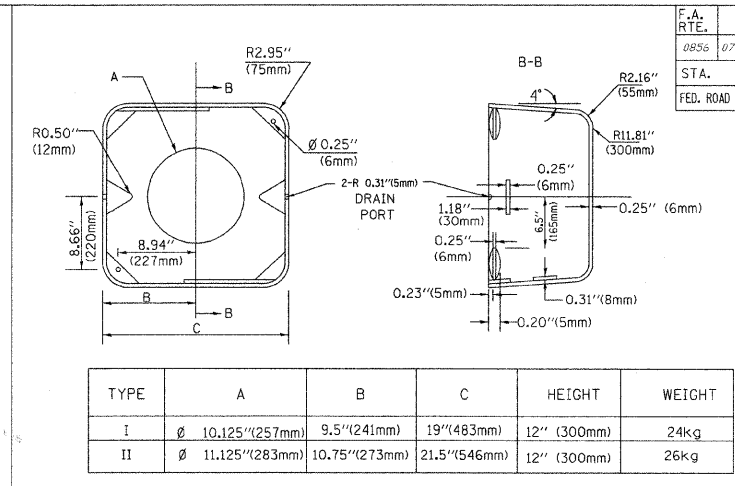
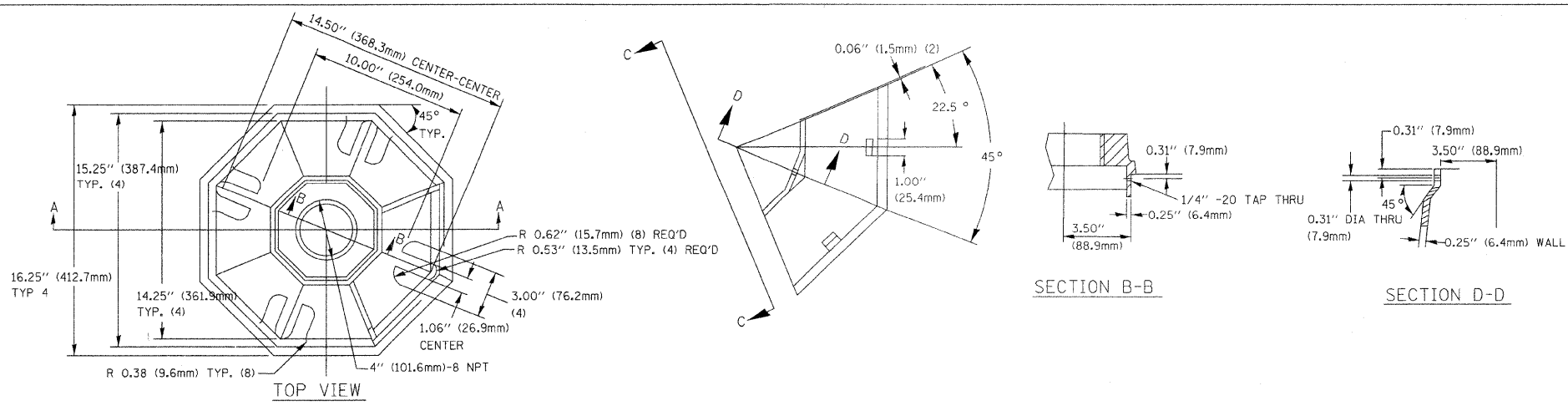
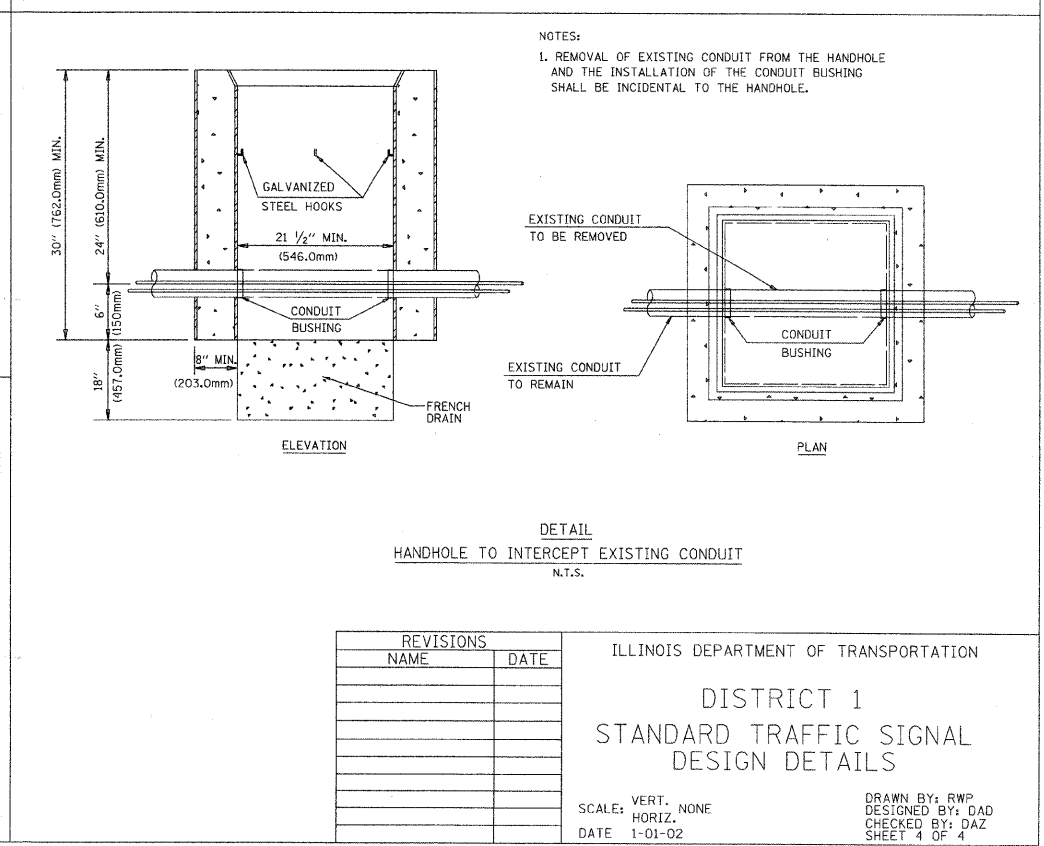
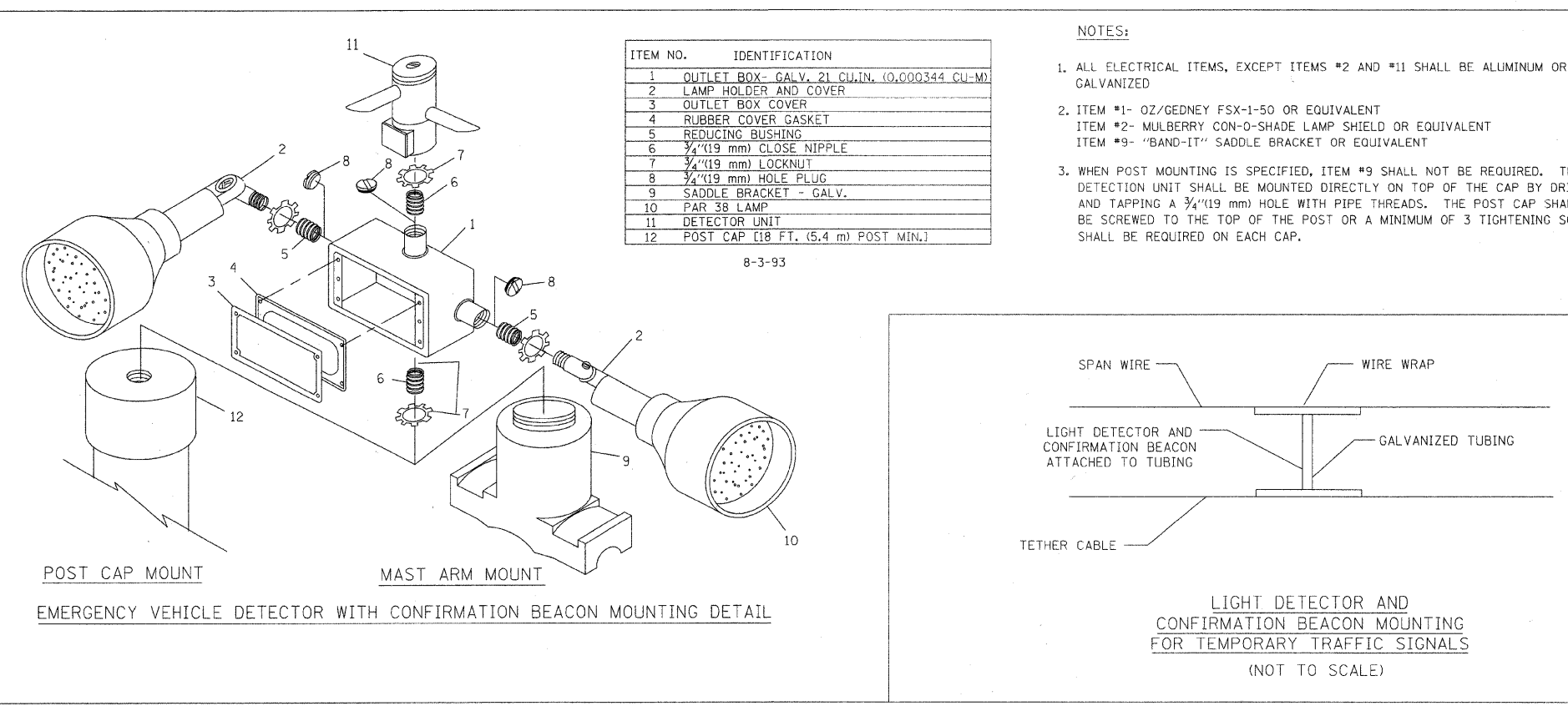
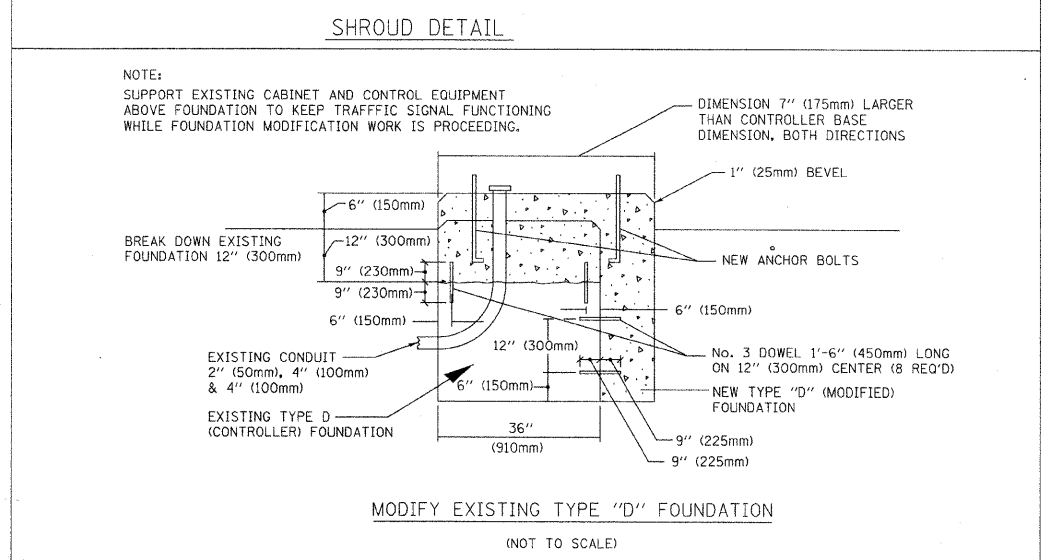
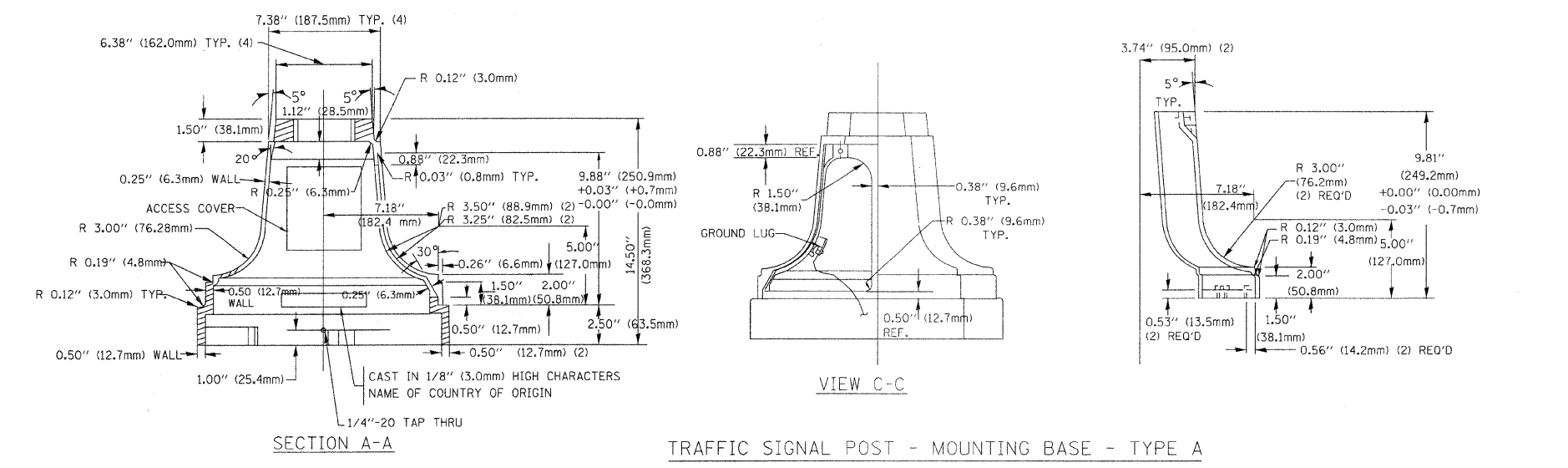


F.A. RTE.	SECTION	COUNTY	TOTAL SHEETS	SHEET NO.
0856	07-00232-05-TL	DU PAGE	25	6
STA.		TO STA.		
FED. ROAD DIST. NO.		ILLINOIS FED. AID PROJECT		



MATERIAL:  
 - ASTM A48 CLASS 30 GREY IRON  
 - ASTM A123 HOT DIPPED GALVANIZED



REVISIONS	
NAME	DATE

ILLINOIS DEPARTMENT OF TRANSPORTATION  
 DISTRICT 1  
 STANDARD TRAFFIC SIGNAL  
 DESIGN DETAILS

SCALE: VERT. NONE  
 HORIZ. 1-01-02

DRAWN BY: RWP  
 DESIGNED BY: DAD  
 CHECKED BY: DAZ  
 SHEET 4 OF 4