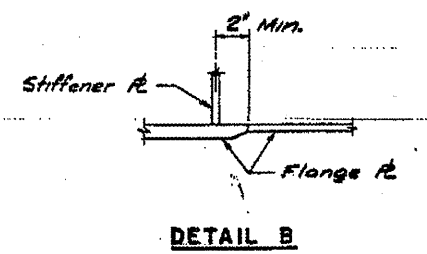
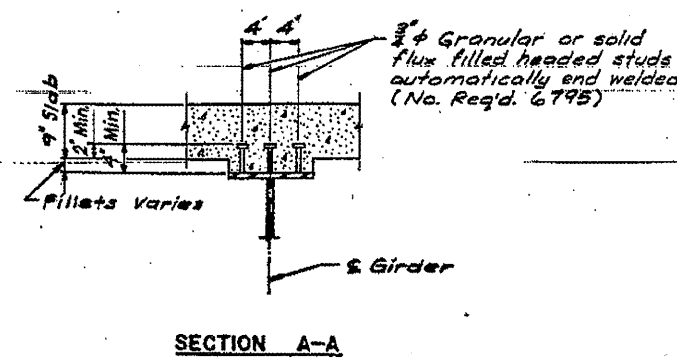
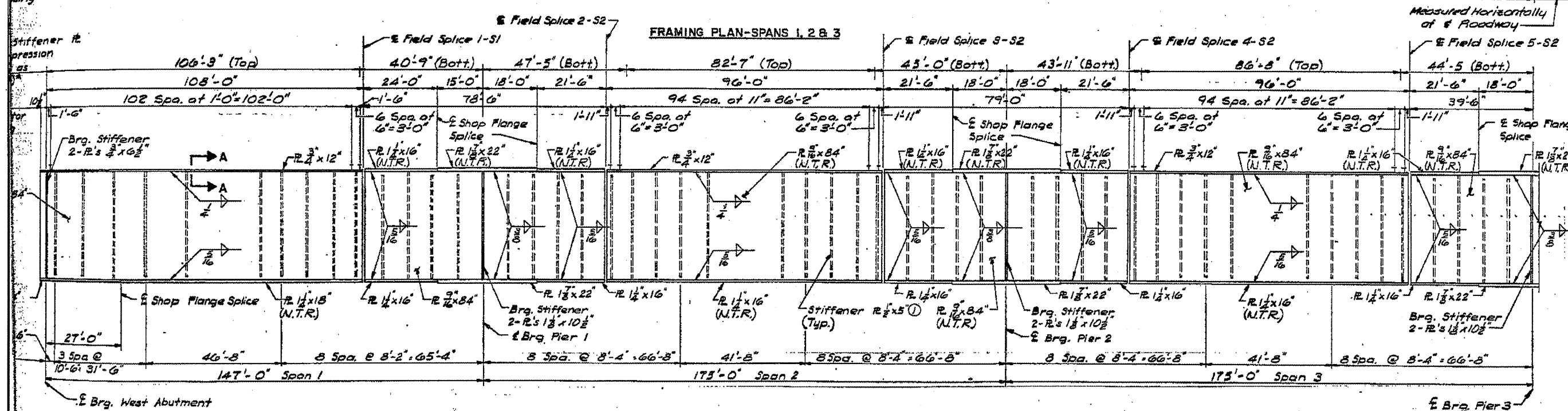
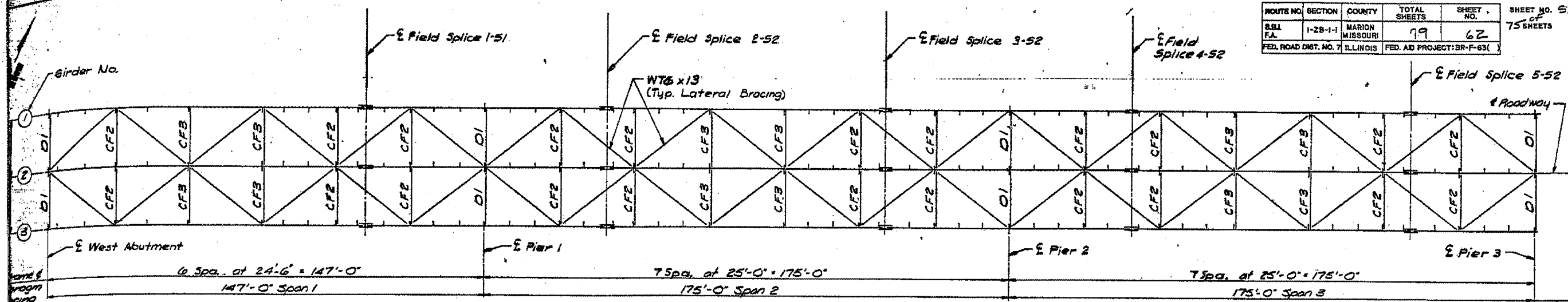


ROUTE NO.	SECTION	COUNTY	TOTAL SHEETS	SHEET NO.	SHEET NO. 58
1-28-1-1	MARION	MISSOURI	79	62	75 OF 75 SHEETS
F.A.		ILLINOIS	FED. ROAD DIST. NO. 7	FED. AID PROJECT: BR-F-63()	



NOTES:

- Intermediate Stiffeners shall be located on the inside face of Girders ① and ③ and on either face of Girder ②.
- Plates designated by (N.T.R.) shall conform to the Supplemental Requirements for Notch Toughness (Zone 2). These components are the Tension Flanges, Webs and all Splice Plate material of the Steel Girder.
- Weld Cross Frame Connection and Bearing Stiffener R's to top and/or bottom flanges, as detailed on Sheet 62.
- For Shop Flange Splice Detail see Sheet 60. See Detail B this sheet for stiffener clearance at flange splice.

REV. NO.	DRAWN	CHKD.	APPD.	DESCRIPTION	DATE
				F A ROUTE 63 (U. S. ROUTE 24) OVER MISSISSIPPI RIVER QUINCY, ILLINOIS	
WEST APPROACH - STEEL ALTERNATE					
FRAMING PLAN AND GIRDER ELEVATION					
SPANS 1, 2 & 3					

EXISTING STEEL PLANS
FOR INFORMATION ONLY