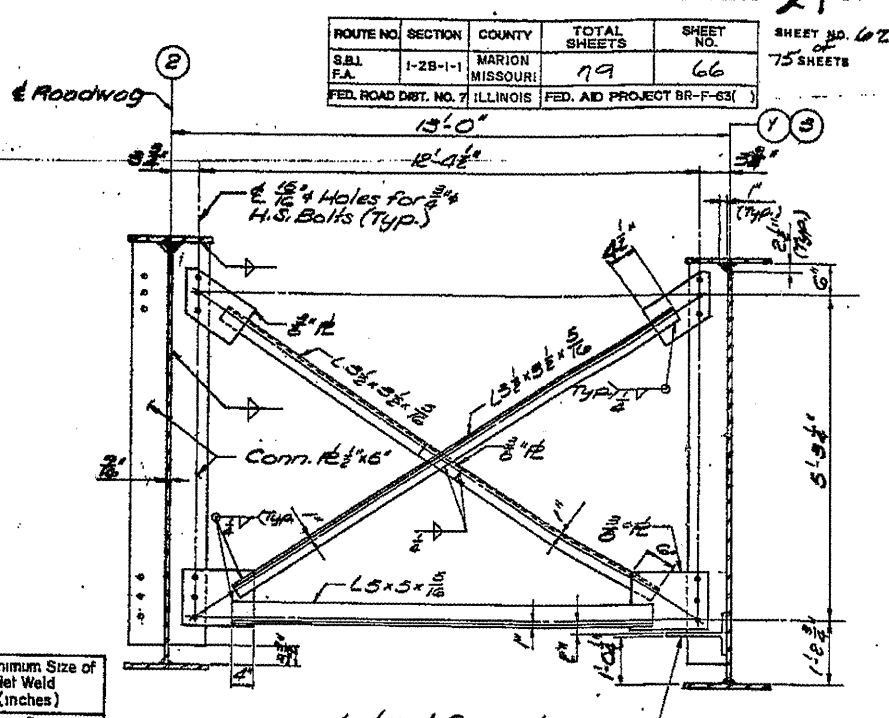
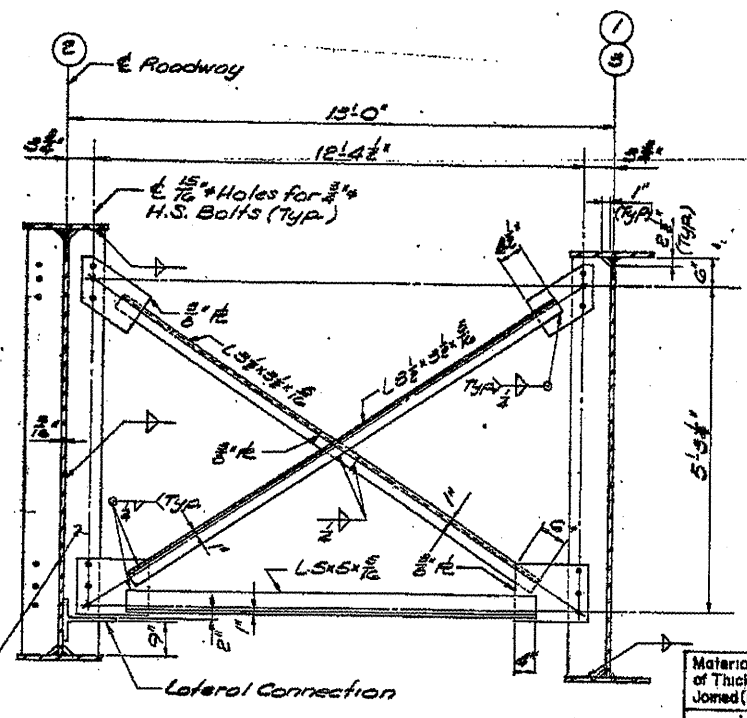
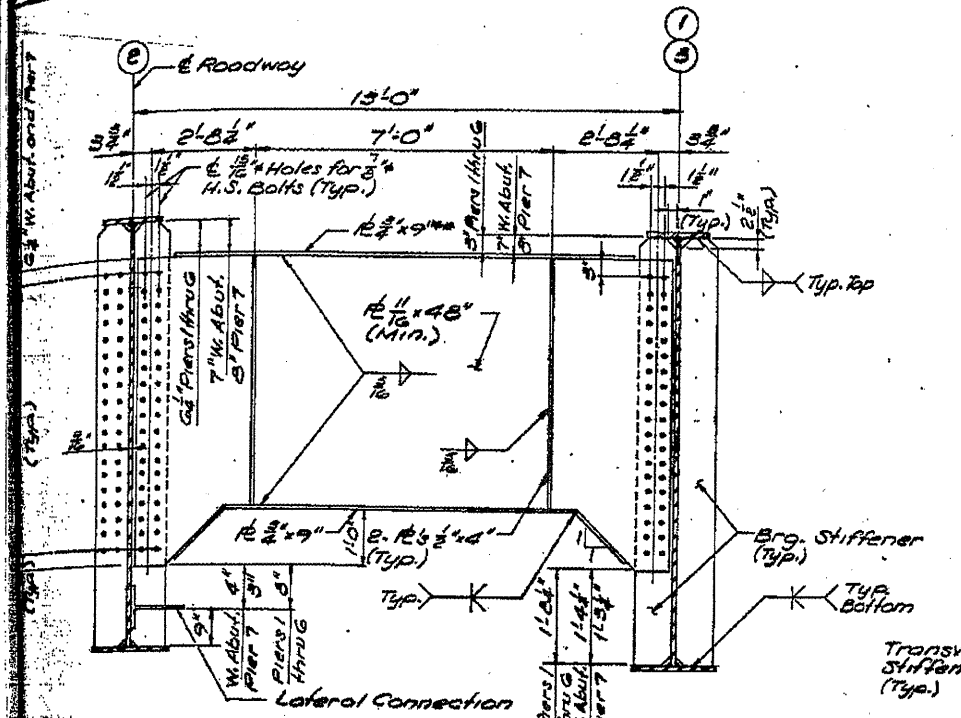
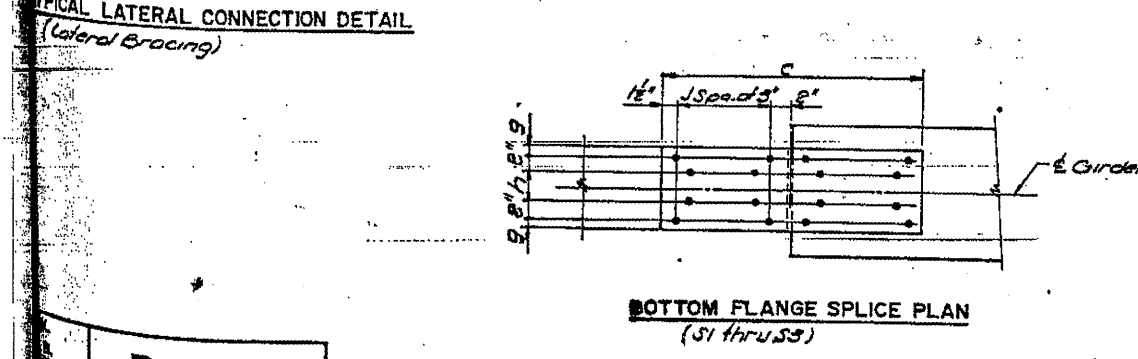
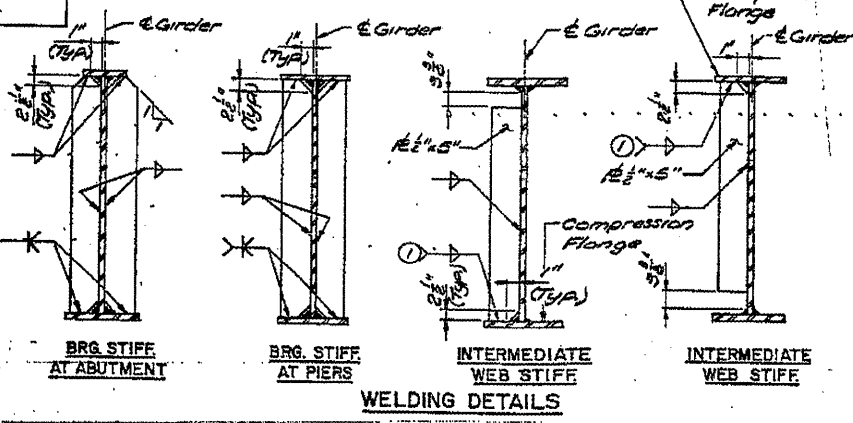
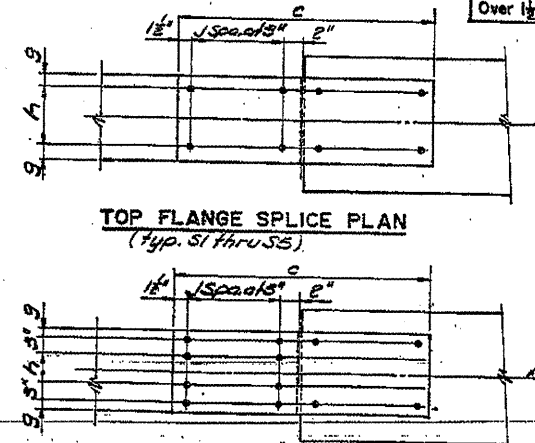
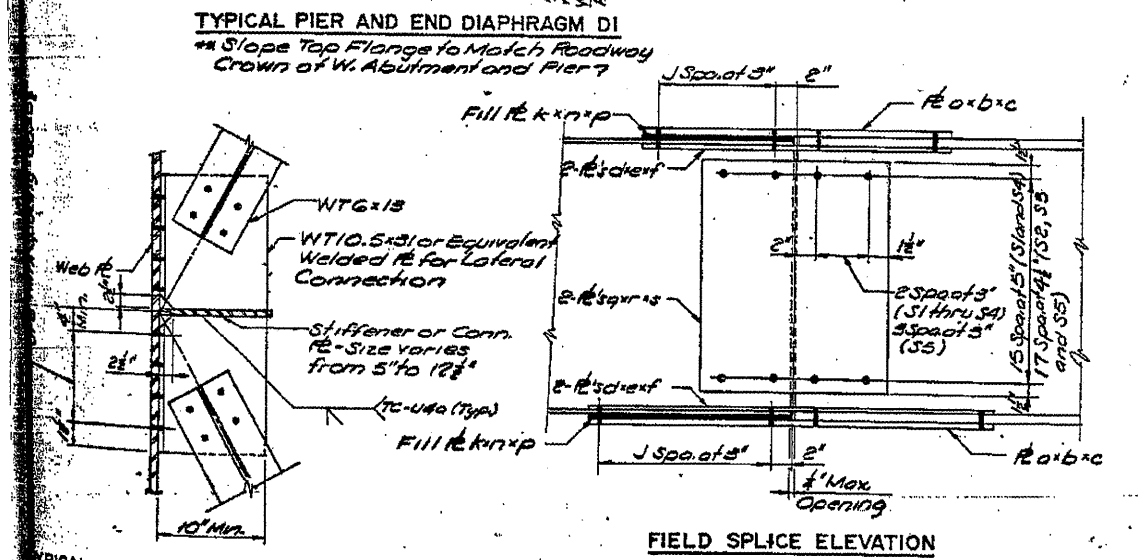


ROUTE NO.	SECTION	COUNTY	TOTAL SHEETS	SHEET NO.	SHEET NO. 62
S&L F.A.	1-28-1-1	MARION MISSOURI	19	66	75 SHEETS
FED. ROAD DIST. NO.	7	ILLINOIS	FED. AID PROJECT BR-F-63()		



Material Thickness of Thicker Part Joined (inches)	Minimum Size of Fillet Weld (inches)
Over 1/2 to 1	3/16
Over 1 to 1 1/2	1/8
Over 1 1/2 to 2	1/4
Over 2 to 2 1/2	3/8



BOTTOM FLANGE SPLICE PLAN (S4 thru S5)

SPLICE LOCATION	FLANGE	* NO. REQUIRED	TABLE OF DIMENSIONS - BOLTED FIELD SPLICE														
			a	b	c	d	e	f	g	h	j	k	n	p	q	r	s
S1	Top	1	7 1/2	12	2 1/2	5	2 1/2	2 1/2	7 1/2	4	1/2	12	1 1/2	8	19	6 1/2	
S1	Botm	1	8	16	3 1/2	8	5	3 1/2	2 1/2	7 1/2	6	-	-	-	-	-	-
S2	Top	9	7 1/2	12	2 1/2	5	2 1/2	2 1/2	7 1/2	4	1/2	12	1 1/2	8	19	6 1/2	
S2	Botm	9	8	16	4 1/2	8	5	4 1/2	2 1/2	7 1/2	7	-	-	-	-	-	-
S3	Top	1	7 1/2	12	3 1/2	5	3 1/2	2 1/2	7 1/2	5	1/2	12	1 1/2	8	19	6 1/2	
S3	Botm	1	8	16	4 1/2	8	5	4 1/2	2 1/2	7 1/2	8	-	-	-	-	-	-
S4	Top	1	7 1/2	12	3 1/2	5	3 1/2	2 1/2	7 1/2	5	1/2	12	1 1/2	8	19	6 1/2	
S4	Botm	1	8	16	4 1/2	8	5	4 1/2	2 1/2	7 1/2	9	1/2	20	10 1/2	14	6 1/2	
S5	Top	1	7 1/2	12	2 1/2	5	2 1/2	2 1/2	7 1/2	4	1/2	12	1 1/2	8	19	6 1/2	
S5	Botm	1	8	16	4 1/2	8	5	4 1/2	2 1/2	7 1/2	8	1/2	18	8 1/2	14	6 1/2	

* Per Girder

NOTES:
① Weld Intermediate Web Stiffeners to Compression Flange as located on Girder Elevation, except at Cross Frame CF2 weld to both flanges. 1/2" holes for 3/4" H.S. Bolts. Holes in Diaphragm D1 and splices shall be detailed with 1/2" holes for 3/4" H.S. Bolts in flanges and webs. Two (2) hardened washers per bolt shall be provided for oversize holes.

REV. NO.	DRAWN	CHKD.	APPD.	DESCRIPTION	DATE
				F A ROUTE 63 (U. S. ROUTE 24) OVER MISSISSIPPI RIVER QUINCY, ILLINOIS WEST APPROACH - STEEL ALTERNATE STEEL DETAILS	

EXISTING STEEL PLANS FOR INFORMATION ONLY