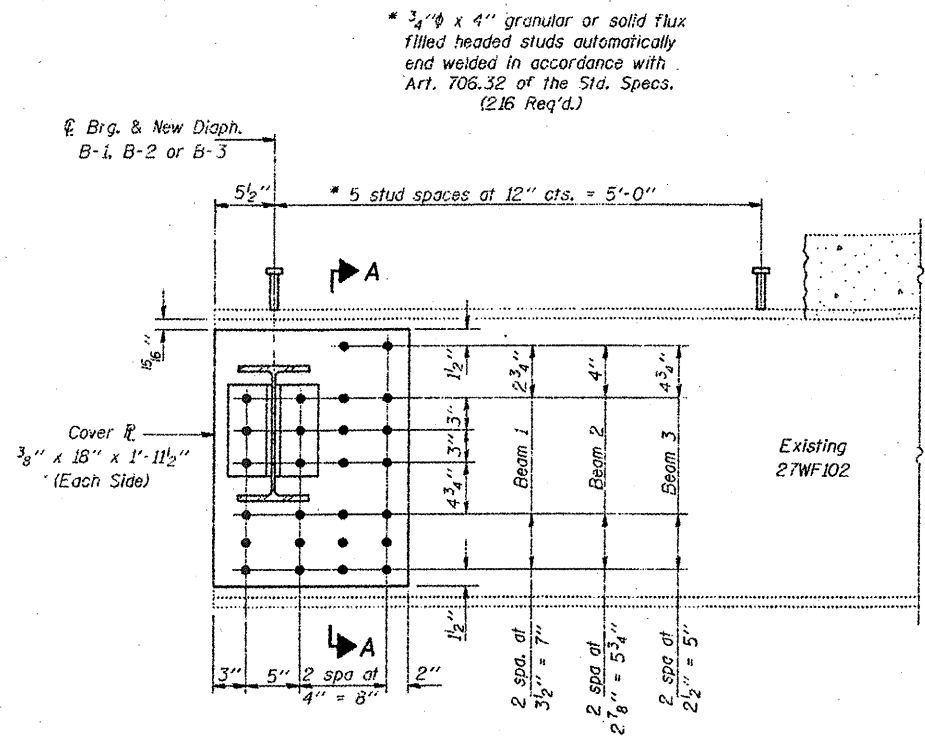


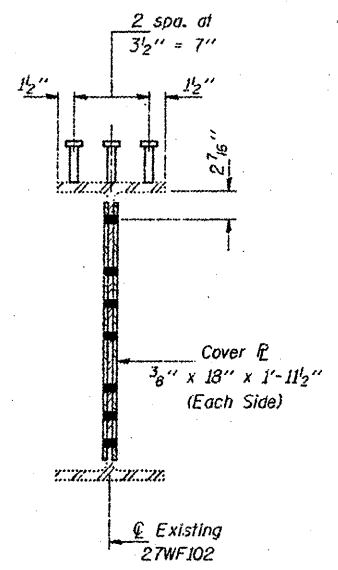
STATE OF ILLINOIS
DEPARTMENT OF TRANSPORTATION

VARIOUS ROUTES
D9 BRIDGE PAINTING FY 09-1
VARIOUS COUNTIES
CONTRACT 78093
FOR INFORMATION ONLY
SHEET 8 OF 31

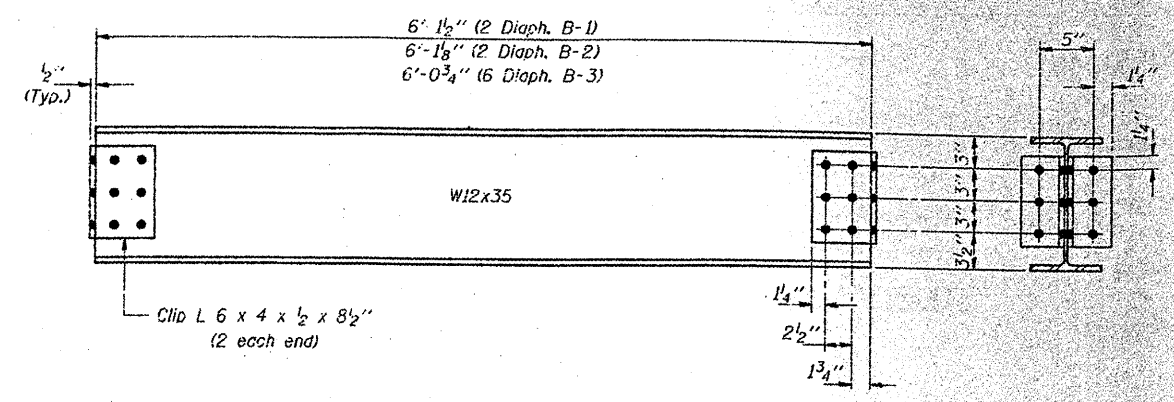


ELEVATION
BEAM END REPAIR

REPAIR A
(8 Locations)

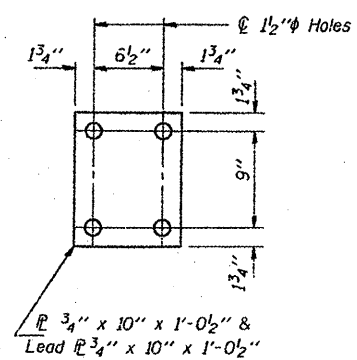


SECTION A-A



REPLACEMENT DIAPHRAGMS
(Number Req'd. = 10)

REPAIR B



ANCHOR PL
(Number Req'd. = 4)
See Sheet 2 for location.

DESIGNED	NJS	DECEMBER 8	19 94
CHECKED	KPS	EXAMINED	<i>Joseph E. Alcorn</i> ENGINEER OF STRUCTURAL SERVICES
DRAWN	Herbert	PASSED	
CHECKED	NJS KPS	ENGINEER OF BRIDGES AND STRUCTURES	

BRIDGE REPAIRS
STRUCTURAL STEEL DETAILS
F.A. RTE. 35 (IL 146) SEC. 11-B-1
HARDIN COUNTY
S.N. 035-0011

BRIDGE NO. 1