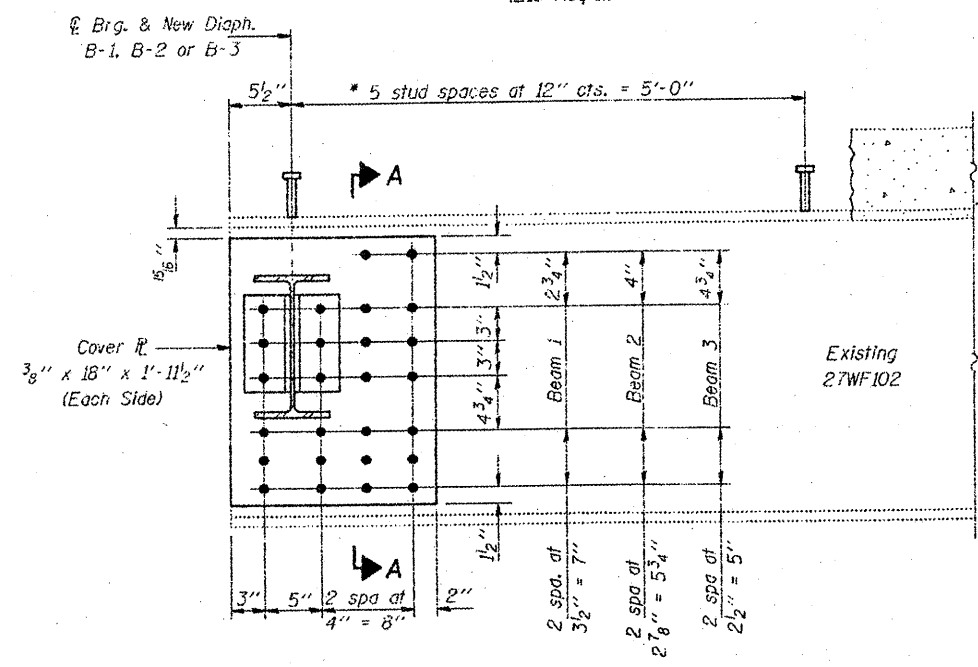


STATE OF ILLINOIS
DEPARTMENT OF TRANSPORTATION

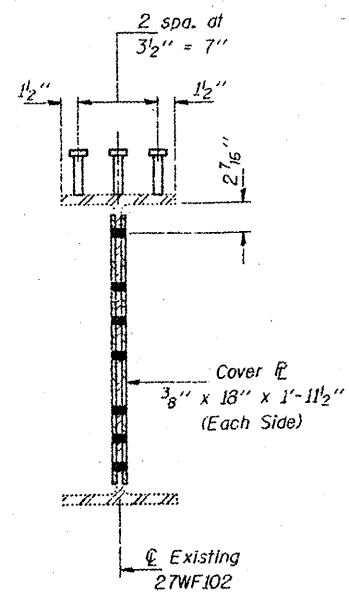
VARIOUS ROUTES
D9 BRIDGE PAINTING FY 09-1
VARIOUS COUNTIES
CONTRACT 78093
FOR INFORMATION ONLY
SHEET 10 OF 31

* $\frac{3}{4}$ " ϕ x 4" granular or solid flux filled headed studs automatically end welded in accordance with Art. 706.32 of the Std. Specs. (2.16 Req'd.)

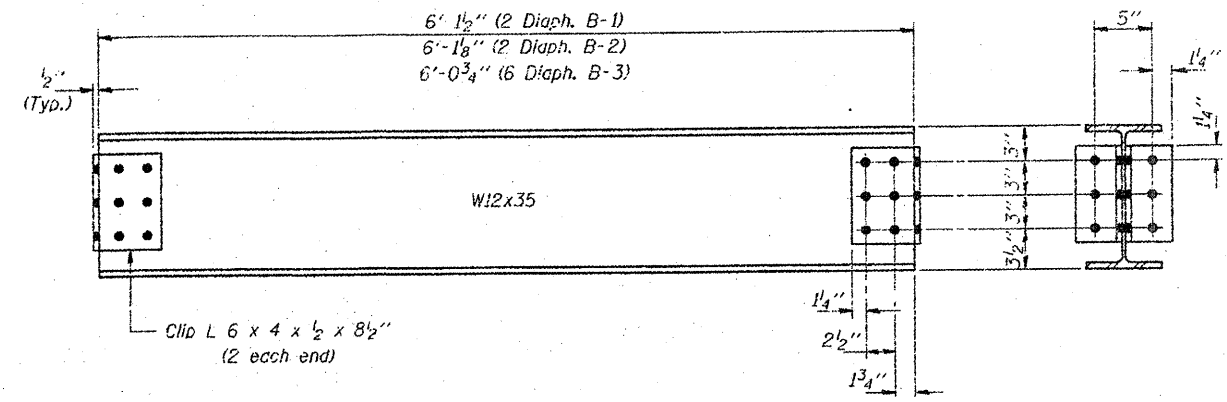


ELEVATION
BEAM END REPAIR

REPAIR A
(8 Locations)

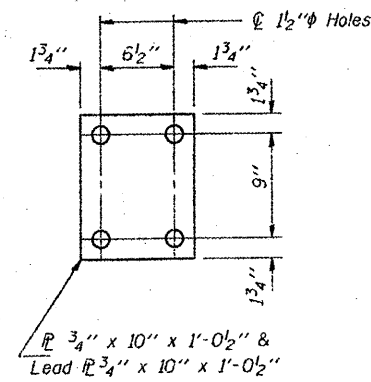


SECTION A-A



REPLACEMENT DIAPHRAGMS
(Number Req'd. = 10)

REPAIR B



ANCHOR PLATE
(Number Req'd. = 4)
See Sheet 2 for location.

DESIGNED	NJS	DECEMBER 8	19 94
CHECKED	KPS	EXAMINED	<i>Joseph E. Adams</i> ENGINEER OF STRUCTURAL SERVICES
DRAWN	DHerbert	PASSED	
CHECKED	NJS KPS		ENGINEER OF BRIDGES AND STRUCTURES

BRIDGE NO. 1

BRIDGE REPAIRS
STRUCTURAL STEEL DETAILS
F.A. RTE. 35 (IL 146) SEC. 11-B-1
HARDIN COUNTY
S.N. 035-0011