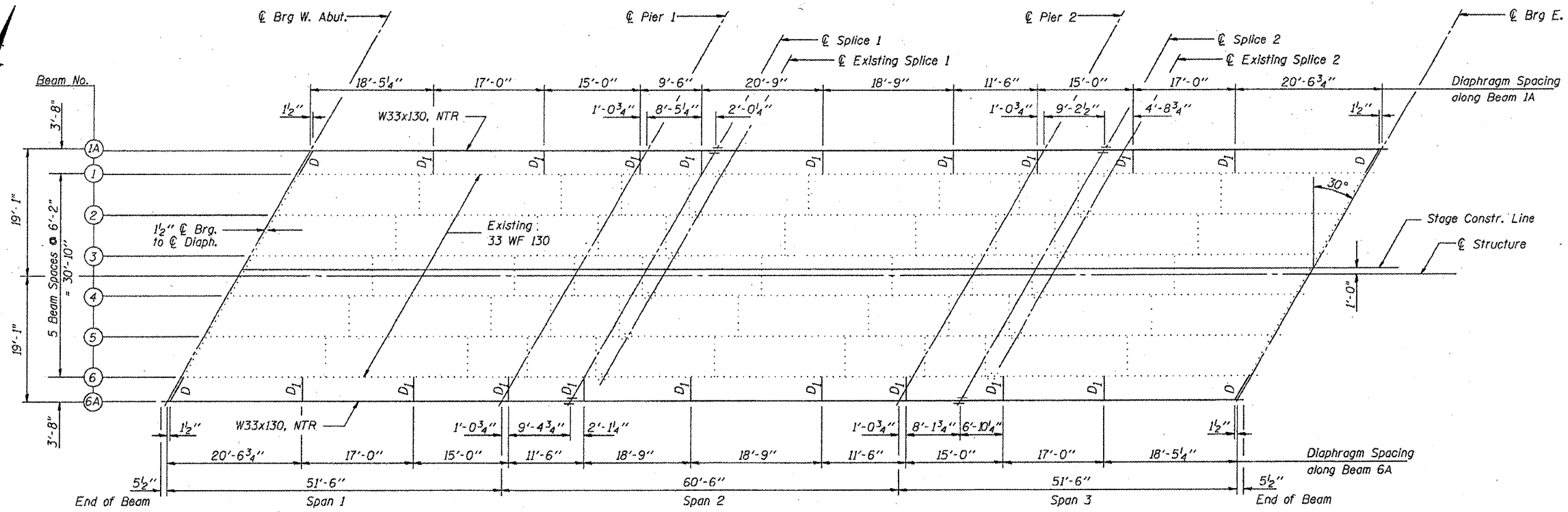
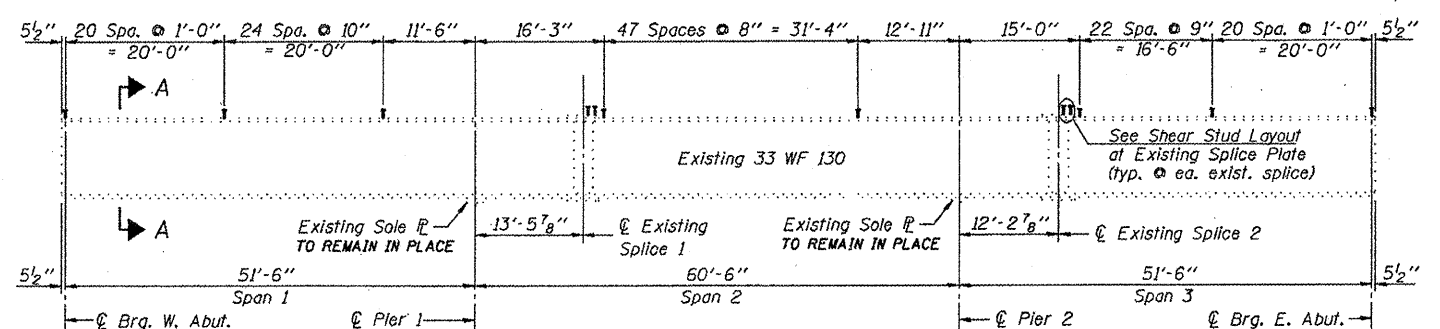


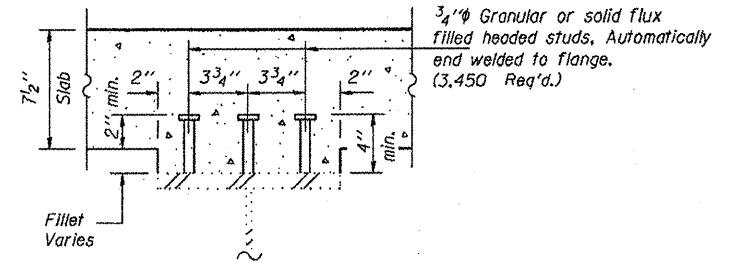
VARIOUS ROUTES
 D9 BRIDGE PAINTING FY 09-1
 VARIOUS COUNTIES
 CONTRACT 78093
 FOR INFORMATION ONLY
 SHEET 16 OF 31



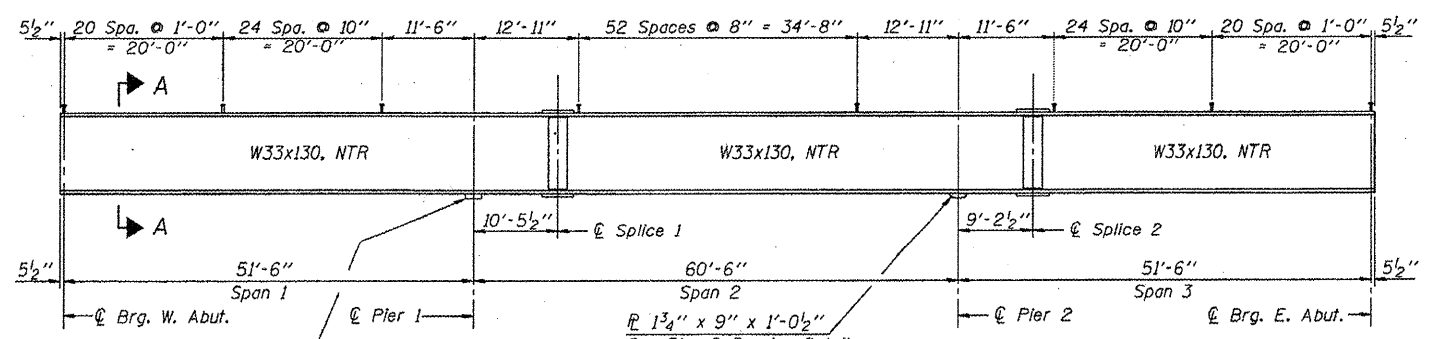
FRAMING PLAN



BEAM ELEVATION
Existing Beams 1 thru 6



SECTION A-A
 (Except at existing splices)
 Applies to both Existing & Proposed Beams.
 Existing Beams Shown.



BEAM ELEVATION
New Beams 1A & 6A

Notes:
 "NTR" denotes members to which Notch Toughness Requirements, Zone 2 are applicable.
 Work this sheet with sheet 10 of 19.

DESIGNED	Ruben V. Boehler
CHECKED	Tim S. Howard
DRAWN	TSH / RVB
CHECKED	Michael D. Cummins

STRUCTURAL STEEL

IL ROUTE 15 OVER SEVEN MILE CREEK
 F.A.P. ROUTE 821 SECTION (15-2)BR
 JEFFERSON COUNTY
 STA. 129+81.00
 S.N. 041-0027

BRIDGE NO. 2

CUMMINS ENGINEERING CORPORATION	JOB #: 2175
	FILE: 2175ss
	DATE: 5/26/06