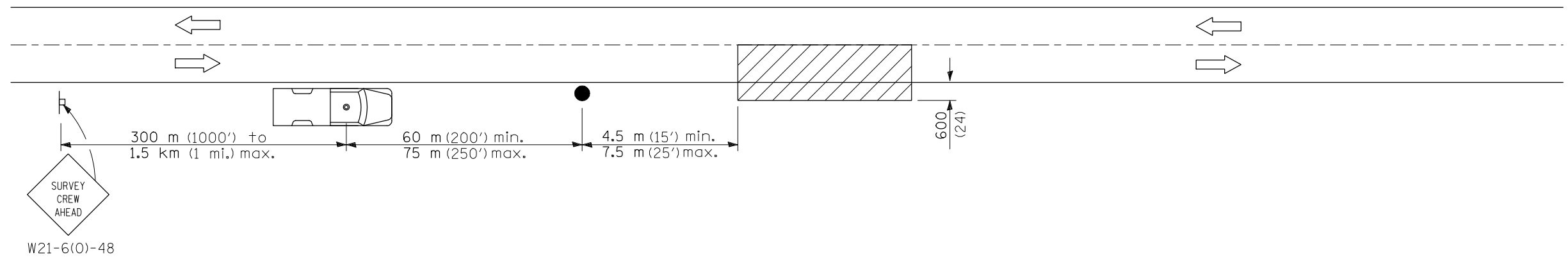
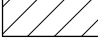

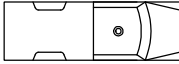



F.A.P. RTE.	SECTION	COUNTY	TOTAL SHEETS	SHEET NO.
B16	6RS-1&(6BR)BR	DOUGLAS	176	69
STA.		TO STA.		
FED. ROAD DIST. NO.	ILLINOIS	FED. AID PROJECT		
CONTRACT NO. 90711				



SYMBOLS

-  Work area
-  Sign on portable or permanent support
-  Truck with flashing amber light and dual emergency flashers
-  Flagger with traffic control sign

TYPICAL APPLICATIONS
Utility operations

Note: All dimensions are in INCHES (millimeters) unless otherwise shown.

DATE	REVISIONS	NAME	ILLINOIS DEPARTMENT OF TRANSPORTATION
			LIGHTING PLAN SHEET

PLOT DATE = 8/21/2008
 FILE NAME = c:\projects\4506695\2007_08_13\submit\al102846_lighting.dgn
 PLOT SCALE = 4:2,352" / IN.
 USER NAME = kejarb