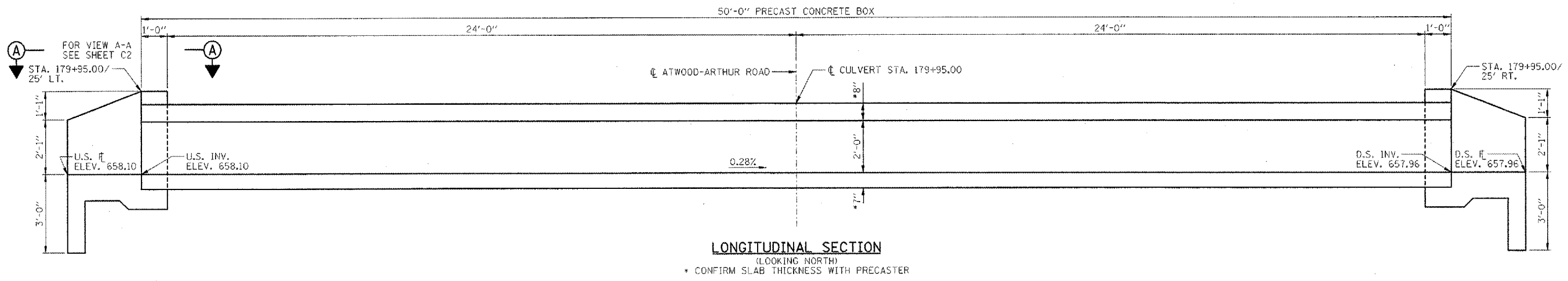


F.A.P. RTE.	SECTION	COUNTY	TOTAL SHEETS	SHEET NO.
816	GRS-1 & (6BR)R	DOUGLAS	176	77
STA.		TO STA.		
FED. ROAD DIST. NO.	ILLINOIS	FED. AID PROJECT		
CONTRACT NO. 90711		SHEET NO. C1		
OF 3 SHEETS				



LONGITUDINAL SECTION
(LOOKING NORTH)

* CONFIRM SLAB THICKNESS WITH PRECASTER

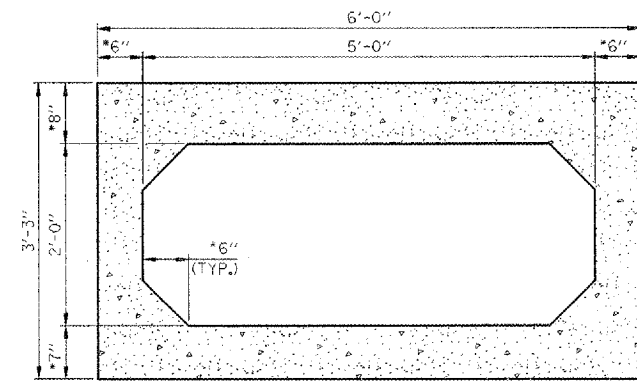
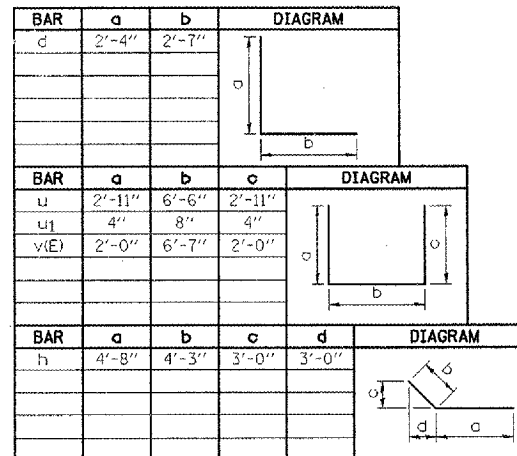
GENERAL NOTES:

- CAST-IN-PLACE CONCRETE EXPOSED EDGES SHALL BE BEVELED 1/4" IN.
- CLASS SI CONCRETE SHALL BE USED THROUGHOUT (CONCRETE STRENGTH, $f'c=3500$ PSI @ 28 DAYS).
- REINFORCEMENT BARS SHALL CONFORM TO THE REQUIREMENTS OF ASTM A 706 Gr 60 (IL MODIFIED). SEE SPECIAL PROVISIONS.
- REINFORCEMENT BARS DENOTED (E) SHALL BE EPOXY COATED.
- IT SHALL BE THE RESPONSIBILITY OF THE CONTRACTOR TO DIVERT THE STREAM FLOW DURING CONSTRUCTION IN ORDER TO KEEP THE CONSTRUCTION AREAS FREE OF WATER. THE METHOD OF WATER DIVERSION SHALL BE SUBJECT TO THE APPROVAL OF THE ENGINEER AND THE COST SHALL BE INCLUDED WITH THE COST OF "PRECAST CONCRETE BOX CULVERTS, 5'x2' (M273)".
- SEE SHEET C3 FOR BORING DATA.
- STRUCTURAL SEAL IS FOR CAST-IN-PLACE PORTION OF STRUCTURE ONLY.
- THE PRECAST CONCRETE CULVERT SECTIONS SHALL BE DESIGNED AND MANUFACTURED IN ACCORDANCE WITH AASHTO M273 (ASTM C850).
- FOR BACKFILLING AND EMBANKMENT, SEE STANDARD SPECIFICATIONS.
- END OF PRECAST SECTION SHALL NOT HAVE A BELL OR SPIGOT.
- THE APRON END SECTIONS SHOWN SHALL BE CAST-IN-PLACE.
- CONTRACTOR TO CONFIRM ALL PRECAST CULVERT DIMENSIONS WITH THE SUPPLIER BEFORE STARTING CONSTRUCTION.
- THE BILL OF MATERIAL SHOWN IS FOR INFORMATION ONLY. END SECTIONS WILL BE PAID FOR AS "BOX CULVERT END SECTIONS" PER EACH, SEE SCHEDULE OF QUANTITY SHEETS.

BILL OF MATERIAL
(NOTE: FOR 2 END SECTIONS)

BAR	NO.	SIZE	LENGTH	SHAPE
a	26	#5	2'-5"	—
b	4	#5	22'-4"	—
b1	6	#5	13'-3"	—
b2	6	#5	8'-10"	—
d	26	#5	4'-11"	—
h	4	#5	8'-11"	—
h1	12	#5	4'-3"	—
u	8	#5	12'-4"	—
u1	14	#5	1'-4"	—
v(E)	10	#5	10'-7"	L J
ITEM	UNIT	QUANTITY		
CONCRETE BOX CULVERTS	CU YD	6.0		
REINFORCEMENT BARS	POUND	640		
REINFORCEMENT BARS, EPOXY COATED	POUND	110		

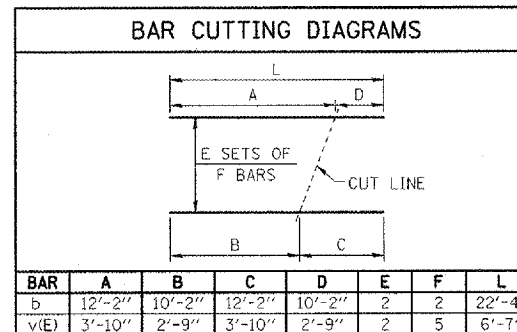
BAR BENDING DIAGRAMS



SECTION THRU BARREL

* CONFIRM SLAB & WALL THICKNESS WITH PRECASTER

BAR CUTTING DIAGRAMS



* CUT LENGTH OF v(E) BARS DOES NOT INCLUDE THE 2'-0" BENT LEGS.



Mark S. Wylie Date 8/15/08

MARK S. WYLIE
ILLINOIS STRUCTURAL ENGINEER
NO. 081-005002
Exp. Date 11/30/08

NOTE:

WORK THIS SHEET WITH SHEET C2.

REVISIONS	DATE
NAME	

ILLINOIS DEPARTMENT OF TRANSPORTATION
CULVERT #3 REPLACEMENT
(STA. 179+95.00)
FAP ROUTE 816
ATWOOD-ARTHUR RD
SECTION 6RS-1 & (6BR)R
DOUGLAS COUNTY

DATE: 11/24/03

DRAWN BY: DJM
CHECKED BY: MSW