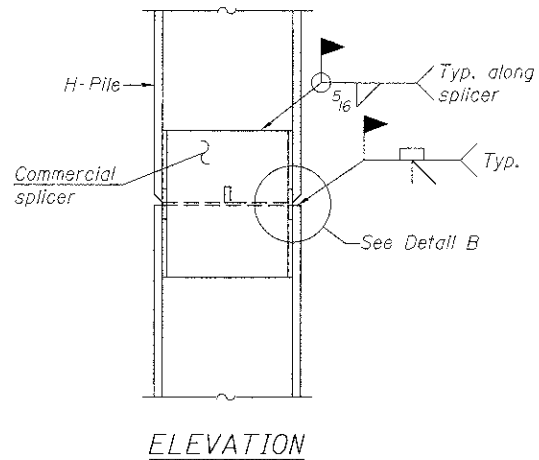
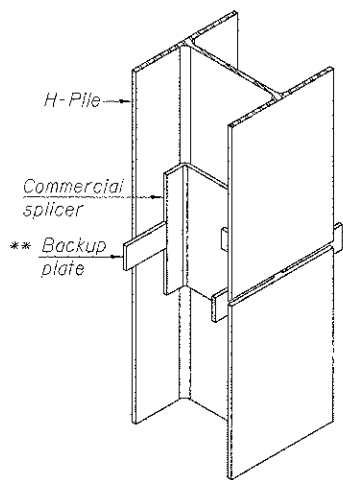


STEEL PILE TABLE

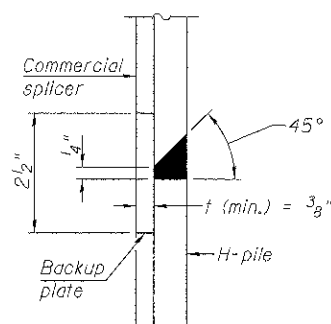
Designation	Depth d	Flange width bf	Web and Flange thickness t	Encasement diameter A
HP 14x117	14 1/4"	14 7/8"	1 3/16"	30"
x102	14"	14 3/4"	1 1/16"	30"
x89	13 7/8"	14 3/4"	5/8"	30"
x73	13 5/8"	14 5/8"	1/2"	30"
HP 12x84	12 1/4"	12 1/4"	1 1/16"	24"
x74	12 1/8"	12 1/4"	5/8"	24"
x63	12"	12 1/8"	1/2"	24"
x53	11 3/4"	12"	7/16"	24"
HP 10x57	10"	10 1/4"	9/16"	24"
x42	9 3/4"	10 1/8"	7/16"	24"
HP 8x36	8"	8 1/8"	7/16"	18"



ELEVATION

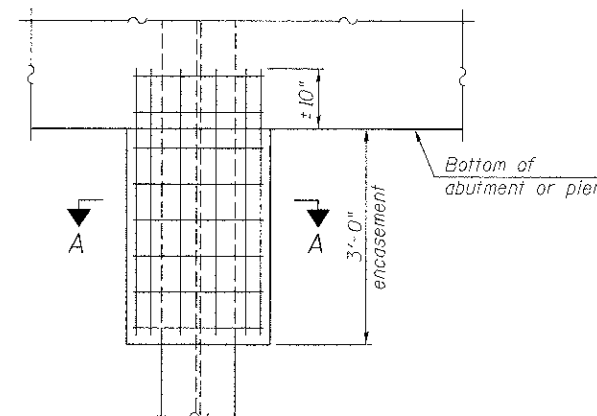


ISOMETRIC VIEW



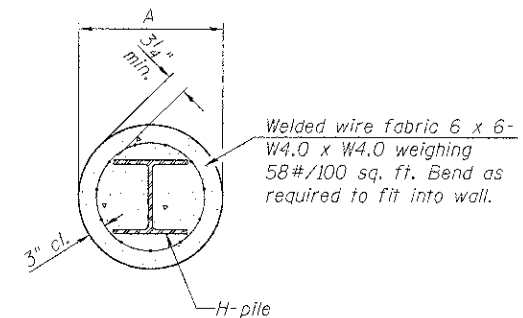
DETAIL "B"

WELDED COMMERCIAL SPLICE



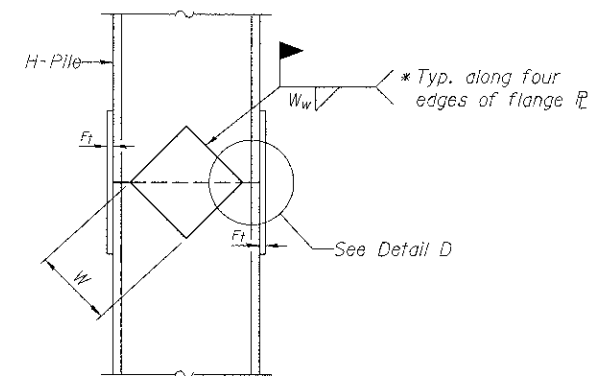
ELEVATION

PILE ENCASEMENT

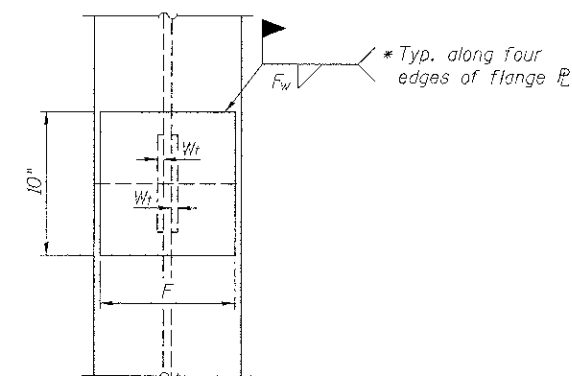


SECTION A-A

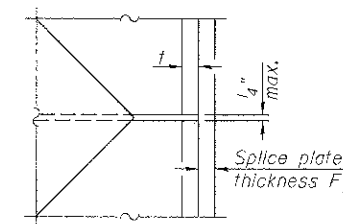
Note:
Forms for encasement may be omitted when soil conditions permit.



ELEVATION



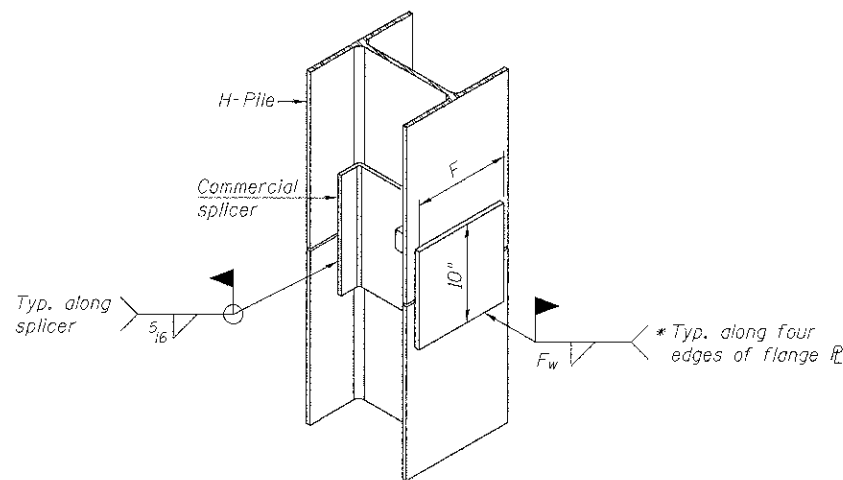
END VIEW



DETAIL D

WELDED PLATE FIELD SPLICE

Designation	F	F _t	F _w	W	W _t	W _w
HP 14x117	12 1/2"	1"	7/8"	7 3/4"	5 1/8"	1/2"
x102	12 1/2"	7/8"	3/4"	7 3/4"	5 1/8"	1/2"
x89	12 1/2"	3/4"	1/16"	7 3/4"	5 1/8"	1/2"
x73	12 1/2"	5/8"	9/16"	7 3/4"	5 1/8"	1/2"
HP 12x84	10"	7/8"	1/16"	6 1/2"	5 1/8"	1/2"
x74	10"	7/8"	1/16"	6 1/2"	5 1/8"	1/2"
x63	10"	5/8"	1/2"	6 1/2"	1/2"	3/8"
x53	10"	5/8"	1/2"	6 1/2"	1/2"	3/8"
HP 10x57	8"	3/4"	9/16"	5 1/4"	1/2"	3/8"
x42	8"	5/8"	9/16"	5 1/4"	1/2"	3/8"
HP 8x36	7"	5/8"	7/16"	4 1/4"	1/2"	3/8"

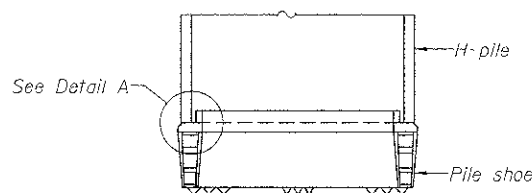


ISOMETRIC VIEW

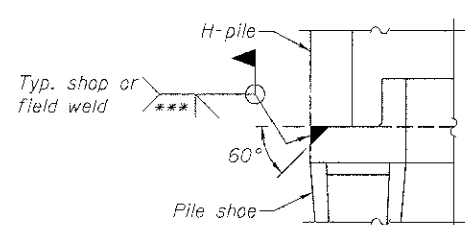
WELDED COMMERCIAL SPLICE ALTERNATE

- * Interrupt welds 1/4" from end of web and/or each flange.
- ** Remove portions of backup plates that extend outside the flanges.
- *** Weld size per pile shoe manufacturer (5/16" min.).

Note:
The steel H-piles shall be according to AASHTO M270 Grade 50.



ELEVATION



DETAIL A

H-PILE SHOE ATTACHMENT

F-HP 7-1-10

SA
STRAND
ASSOCIATES
1170 SOUTH HARBOLT ROAD
JOLIET, ILLINOIS 60431
(815) 744-4200
ID#PR NO. 184-001273

USER NAME = brianf	DESIGNED RRD	REVISIONS
PLOT SCALE =	CHECKED AJS	REVISIONS
PLOT DATE = 8/23/2012	DRAWN BJF	REVISIONS
	CHECKED RRD	REVISIONS

MCHENRY COUNTY DIVISION OF TRANSPORTATION
HILL ROAD BRIDGE OVER
NORTH BRANCH NIPPERSINK CREEK

HP PILE DETAILS
STRUCTURE NO. 056-3192
SHEET NO. 14 OF 27 SHEETS

TR	SECTION	COUNTY	TOTAL SHEETS	SHEET NO.
21	08-00356-00-BR	MCHENRY	77	44
CONTRACT NO. 63666			ILLINOIS FED. AID PROJECT	