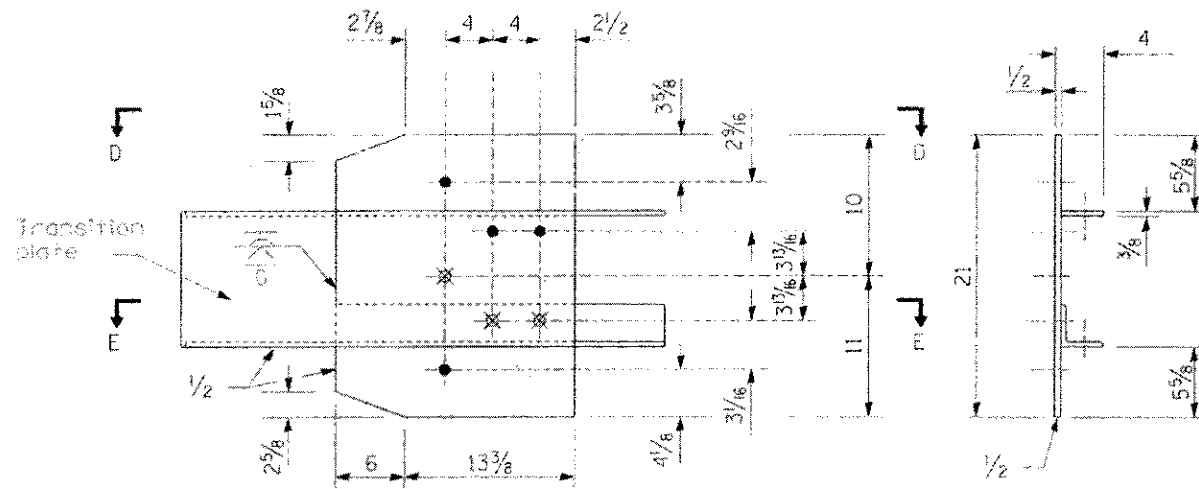


MCHENRY COUNTY
DIVISION OF TRANSPORTATION

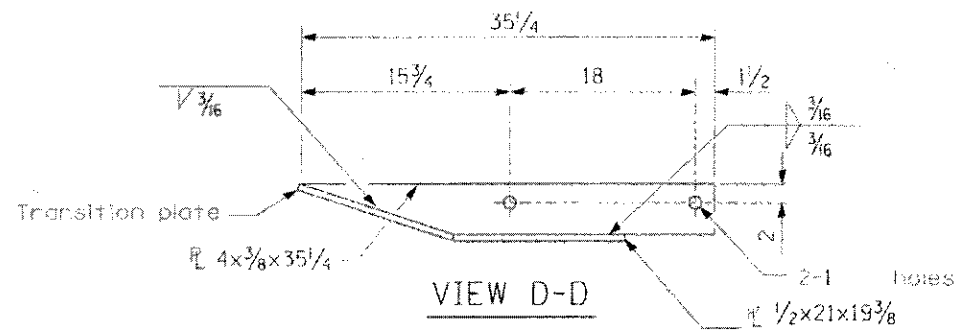


- 4-1 notes for 7/8 H.S. bolts and nuts
- ⊗ Drill and tap 3 holes for 7/8 H.S. bolts.

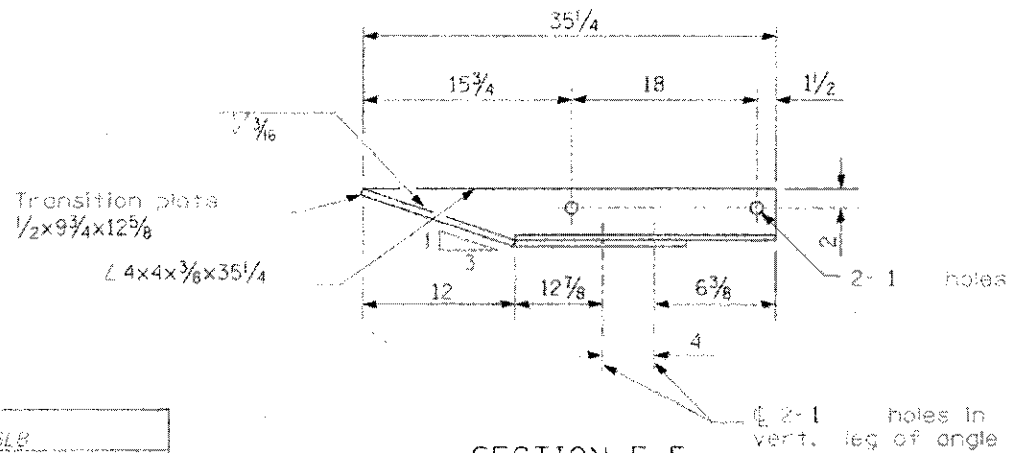
LEGEND

GUARDRAIL CONNECTION PLATE ASSEMBLY DETAILS

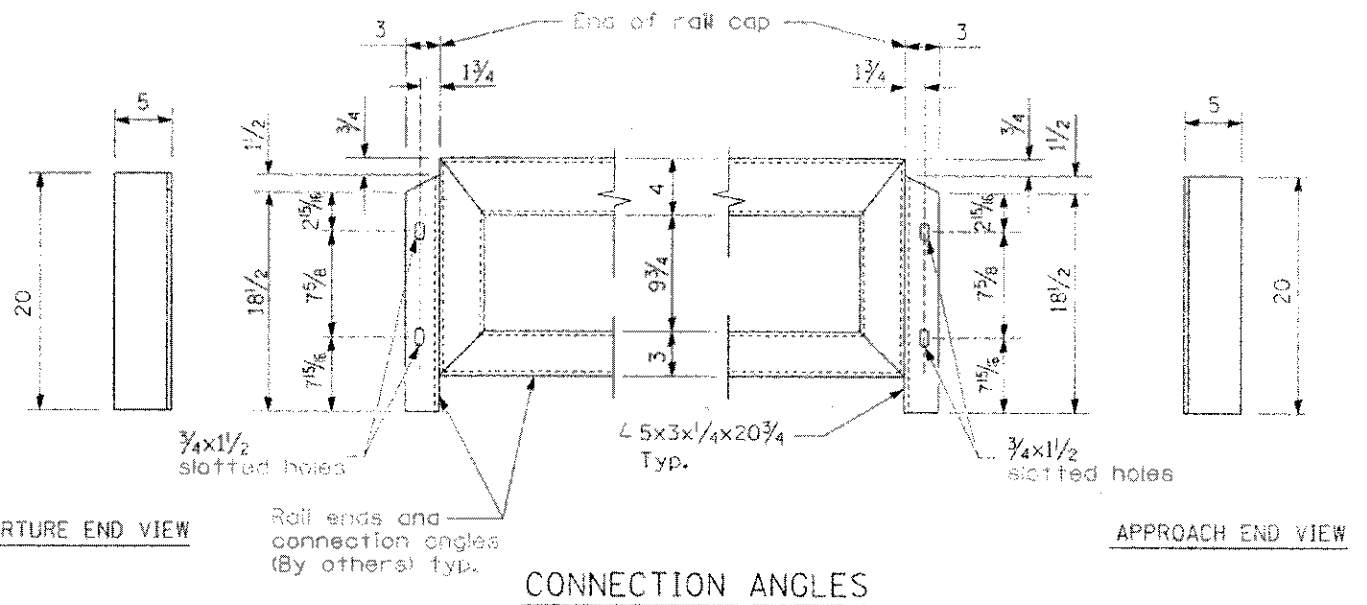
(Mirror for opposite end)



VIEW D-D



SECTION E-E



CONNECTION ANGLES

DESIGNED	SLB
CHECKED	AS
DRAWN	GFD
CHECKED	BLB

TRAFFIC BARRIER TERMINAL
TYPE 6A (SPECIAL)
STRUCTURE NO. 056-3192

SHEET NO. 3 3 SHEETS	TR	SECTION	COUNTY	TOTAL SHEETS	SHEET NO.
	21	08-00356-00-BR	MCHENRY	77	62
			CONTRACT NO. 63666		
FED. ROAD DIST. NO. 1 ILLINOIS			FED. AID PROJECT BRS-0001683		