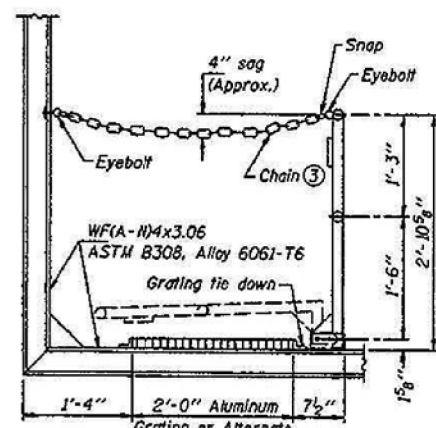
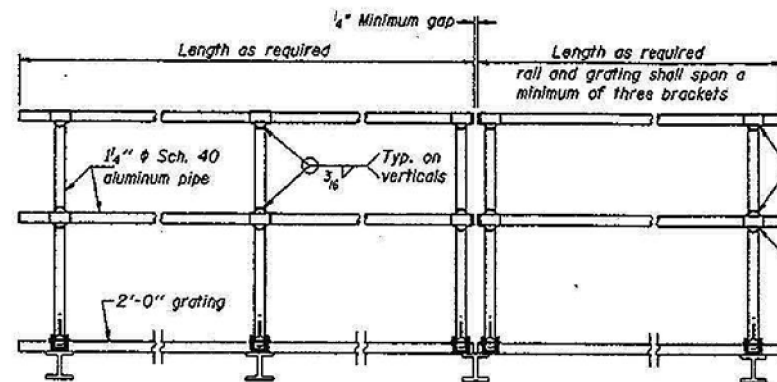


F.A.I. RTE.	SECTION	COUNTY	TOTAL SHEETS	SHEET NO.
74	D4 I-74 ITS SYSTEM-1	PEORIA & TAZEWELL	98	35
STA.	TO STA.			
FED. ROAD DIST. NO.	ILLINOIS FED. AID PROJECT			

FOR INFORMATION ONLY



SIDE ELEVATION
(Showing safety chain w/o sign)



FRONT ELEVATION

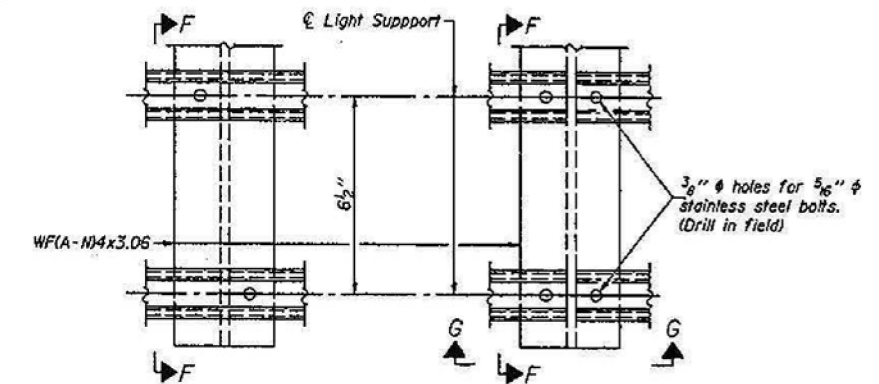
HANDRAIL DETAILS

Handrail pipe shall be ASTM B241, Alloy 6063-T6 or Alloy 6061-T6.

① Install standard force-fit end caps or weld 1/8\"/>

Fittings-ASTM B26, Alloy 356-T7

② Horizontal handrail member shall be continuous thru fitting. Provide 7/16\"/>



DETAIL F

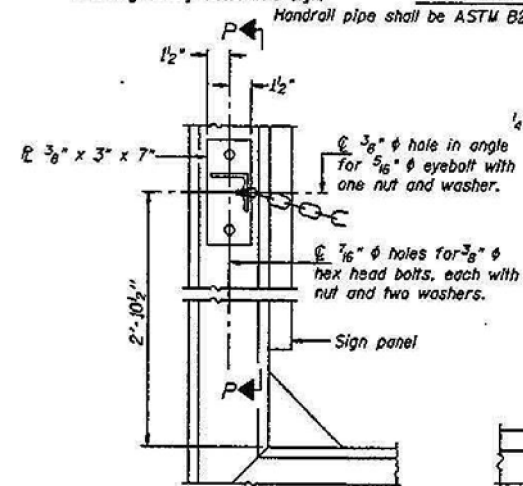
DETAIL G

SECTION F-F

SECTION G-G

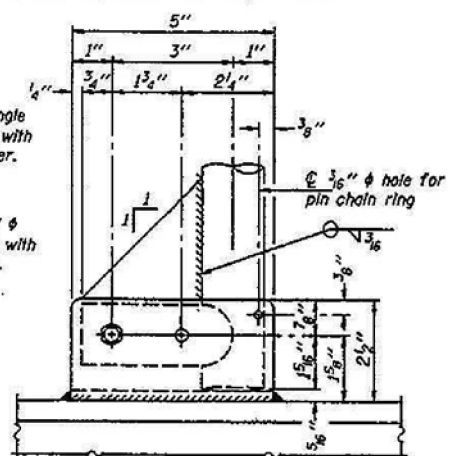
LIGHTING FIXTURE MOUNTS (IF REQUIRED)

⑤ Field cut ends of light support channels shall be free of burrs or hazardous projections and coated with zinc-rich primer or equivalent.

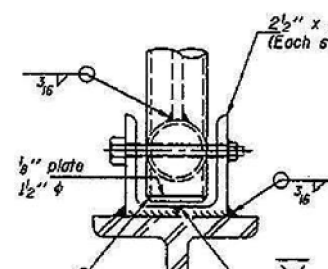


ALTERNATE SAFETY CHAIN ATTACHMENT

(With Sign Present)
Items not shown same as "Side Elevation" of "Handrail Details"

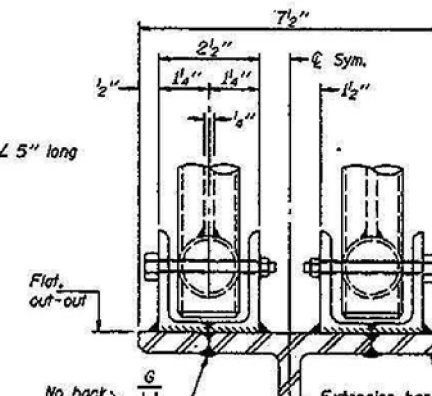


SIDE ELEVATION

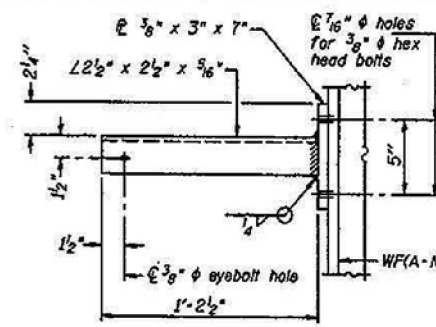


FRONT ELEVATION

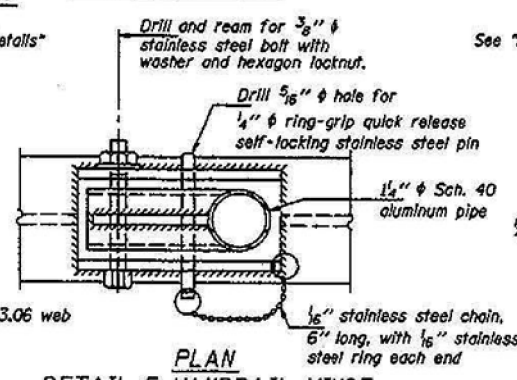
See "ELEVATION" at right for dimensions.



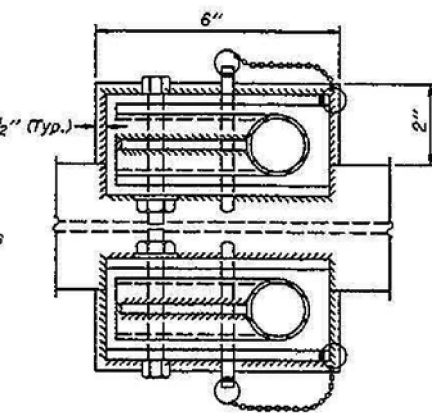
ELEVATION AT HANDRAIL JOINT ④



SECTION P-P

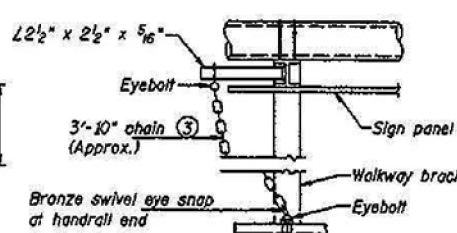


DETAIL E HANDRAIL HINGE



PLAN AT HANDRAIL JOINT

Details not shown same as "PLAN"

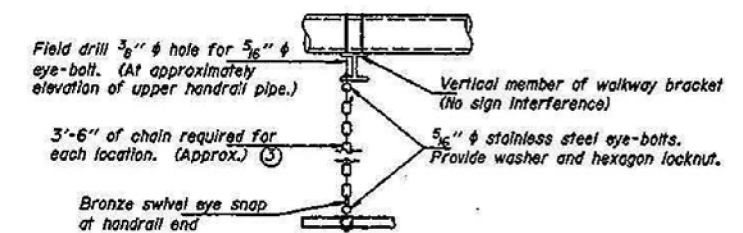


ALTERNATE SAFETY CHAIN ATTACHMENT

Details not shown similar to "Safety Chain" Details (Walkway omitted for clarity)

③ 3/16\"/>

④ Extrusions may be used in lieu of the details shown, with approval of the Engineer.



SAFETY CHAIN

One required for each end of each walkway.

ITS SHEET 35 OF 98

**OVERHEAD SIGN STRUCTURES
ALUMINUM HANDRAIL DETAILS**

ILLINOIS DEPARTMENT OF TRANSPORTATION
F.A.I. 74
D4 I-74 ITS SYSTEM-1
PEORIA & TAZEWELL COUNTIES

10/14/02

EDWARDS AND KELCEY

PRINTED: 10/12/02

pl:\010019901\its final design\structure\aluminum\submit\10-14-02\its109-7a.dgn

DESIGNED	TCG
CHECKED	AJN
DRAWN	ABW
CHECKED	TCG

OS-A-11 7/1/2001

NUMBER	REVISION	DATE