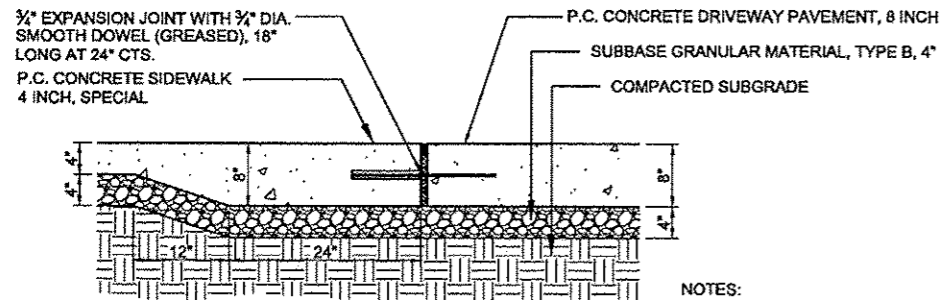


- NOTES:
1. BRICK PAVER BANDING PATTERN: DOUBLE SOLDIER COURSE
 2. BRICK PAVER TYPE AND COLOR: BELDEN, CRESTLINE MOLDED CLAY BRICK WITH DUTCH CHAMFERED EDGE, 2 1/2" x 4" x 8", VICTORIAN, OR APPROVED EQUAL
 3. SAW CUT BRICK PAVERS TO NECESSARY ANGLES AT EXPANSION JOINT BETWEEN SIDEWALK AND DRIVEWAY

27 Driveway/Sidewalk, Special Brick Paver Banding Joint Detail

Scale: 1"=1'-0"

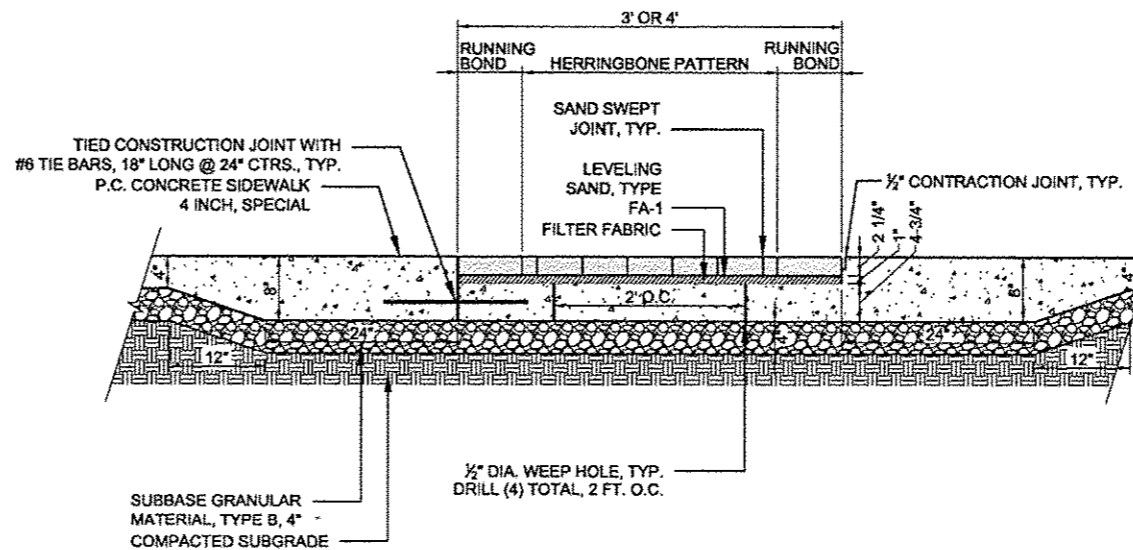


- NOTES:
1. REFER TO SPECIAL PROVISIONS FOR COMPACTION OF SUBBASE GRANULAR MATERIAL, TYPE B AND SUBGRADE.

26 P.C. Concrete Driveway Pavement, 8 Inch/ P.C. Concrete Sidewalk 4 Inch, Special - Joint Detail

Scale: 1"=1'-0"

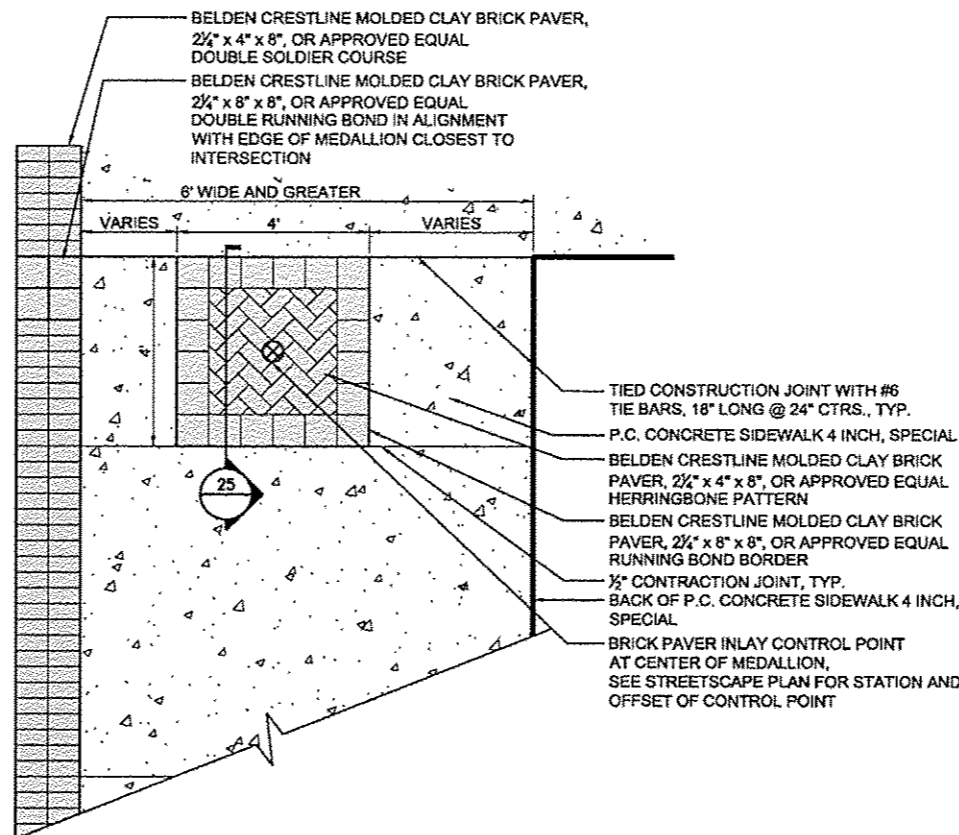
FILE NAME =	USER NAME = manak01390	DESIGNED - ALW	REVISED -
c:\pwwork\do_not_delete\dms73427\04	DLB155-shu-detaila-indsap05.dgn	DRAWN - ALW	REVISED -
		CHECKED - BAB	REVISED -
		DATE - 7/18/12	REVISED -



- NOTES:
1. BRICK PAVER FINISHING: SWEEP ALL BRICK JOINTS WITH SAND, TYPE FA-9, UNTIL ALL VOIDS ARE FILLED. REPEAT PROCEDURE AS NEEDED TO FILL ALL VOIDS.
 2. REFER TO SPECIAL PROVISIONS FOR COMPACTION OF AGGREGATE BASE COURSES, SUBBASE GRANULAR MATERIAL, TYPE B AND SUBGRADE.

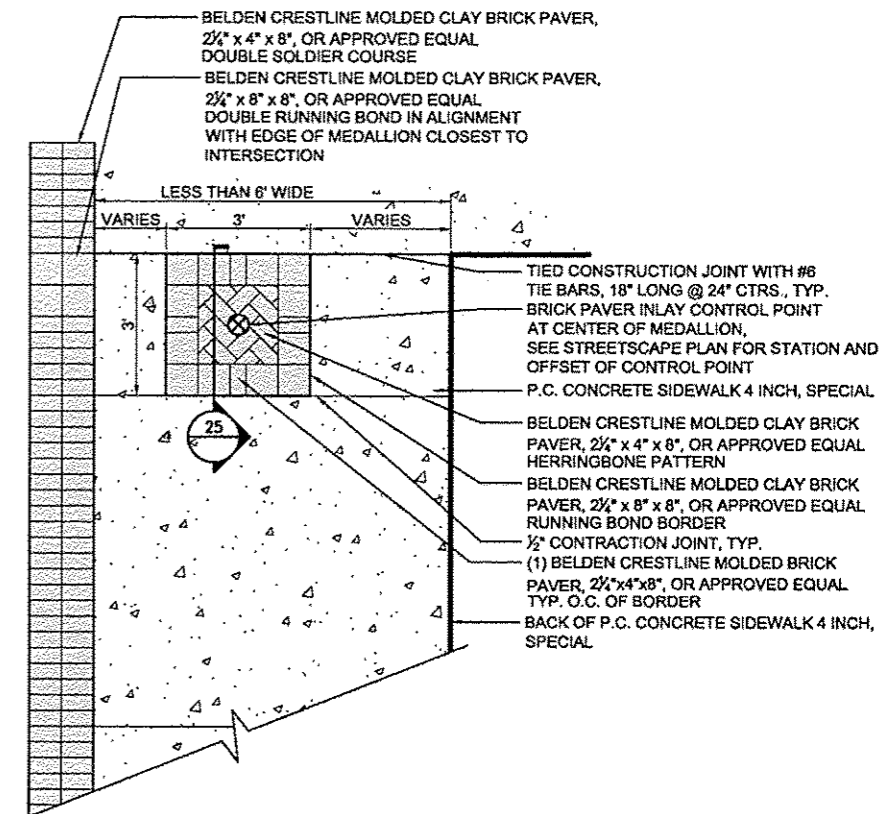
25 Intersection Brick Paver Inlay Section

Scale: 1"=1'-0"



24 4' Medallion Intersection Brick Paver Inlay Detail

Scale: 1/2"=1'-0"



23 3' Medallion Intersection Brick Paver Inlay Detail

Scale: 1/2"=1'-0"

STATE OF ILLINOIS
DEPARTMENT OF TRANSPORTATION

TIGER II - WAREHOUSE DISTRICT
STREETScape DETAILS

SCALE: N.T.S. SHEET NO. OF SHEETS STA. TO STA.

F.A.U. RTE.	SECTION	COUNTY	TOTAL SHEETS	SHEET NO.
	12-00356-01-PV	PEORIA	519	282
CONTRACT NO. 89626				
ILLINOIS FED. AID PROJECT TIC-50931501				

Farnsworth GROUP
7707 N. KNOXVILLE AVE., SUITE 100
PEORIA, ILLINOIS 61614
(309) 690-0828 / (309) 690-0820 Fax
www.fw.com