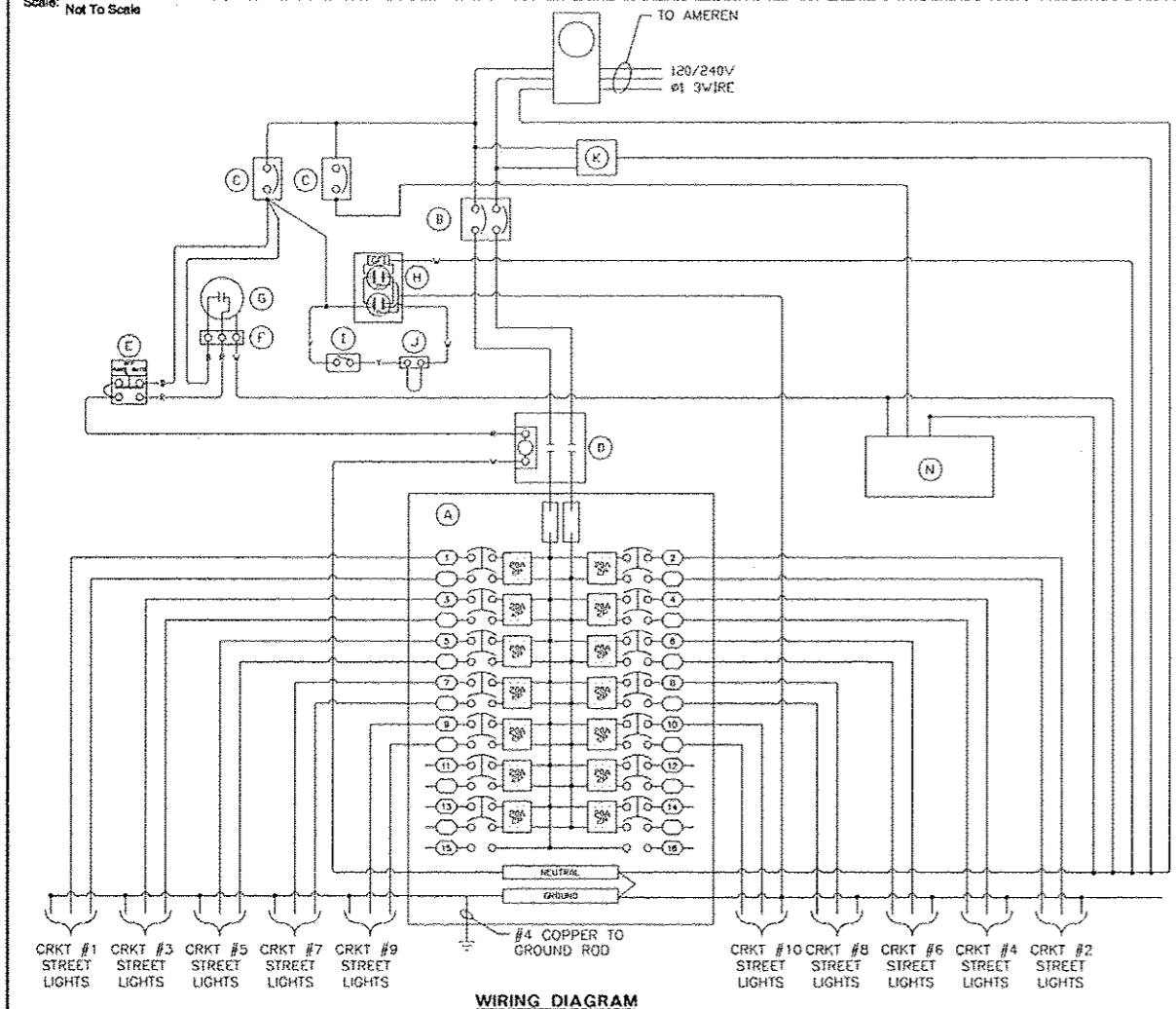
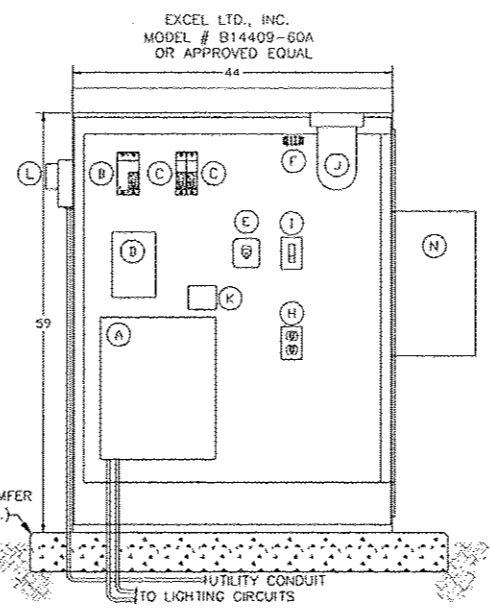


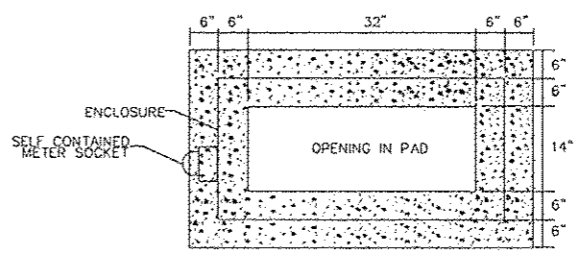
One-Line Diagram for Lighting Control Cabinet (LC4)
Scale: Not To Scale



WIRING DIAGRAM



ELEVATION



PLAN

BILL OF MATERIALS	
ITEM	DESCRIPTION
A	200A MLO (14) 2P/20A BRANCH
B	2P 200A MAIN CIRCUIT BREAKER
C	1P 15A MAIN CIRCUIT BREAKER
D	120V COIL 2 POLE 100 AMP CONTACTOR
E	H.O.A. SWITCH
F	3PT TERMINAL BLOCK
G	PHOTOCELL
H	20A GFI RECPT
I	TOGGLE SWITCH
J	RAB VX100DC LIGHT FIXTURE
K	SURGE SUPPRESSION DEVICE
L	AMEREN METER-SELF CONTAINED CT'S 200A 120/240V
M	44" TYPE V TRAFFIC CONTROL CABINET TYPE 3R POWDER COATED BLACK TO MATCH POLE
N	IRRIGATION CONTROLLER MOUNTED BY IRRIGATION CONTRACTOR. ELECTRICAL CONTRACTOR TO WIRE IN POWER TO UNIT.

- NOTES:**
1. ALL POWER WIRING WILL BE RHH/RHW.
 2. ALL CONTROL WIRING WILL BE #14 MIN.
 3. NOT USED.
 4. (B) CKT NUMBER
 5. (A) ITEM #. SEE BILL OF MATERIALS

Lighting Controller Base Mounted 240V, 200Amp #LC4
Scale: Not To Scale

FILE NAME =	USER NAME = manah01390	DESIGNED - JDE	REVISED -
o:\pwise_work\do_not_delete\des73318\041\010155-shr-dot-w\1s-Light01.dgn	DRAWN - TMT	CHECKED - BMS	REVISED -
PLOT SCALE = 2.0000 "/td> <td>DATE - 7/18/12</td> <td>REVISED -</td> <td>REVISED -</td>	DATE - 7/18/12	REVISED -	REVISED -
PLOT DATE = 07/23/2012			

**STATE OF ILLINOIS
DEPARTMENT OF TRANSPORTATION**

LIGHTING DETAILS

SCALE: N.T.S. SHEET NO. OF SHEETS STA. TO STA.

F.A.U. RTE.	SECTION	COUNTY	TOTAL SHEETS	SHEET NO.
	12-00356-01-PV	PEORIA	519	371
ILLINOIS FED. AID PROJECT			CONTRACT NO. 89626	
TIG-50931(58)				