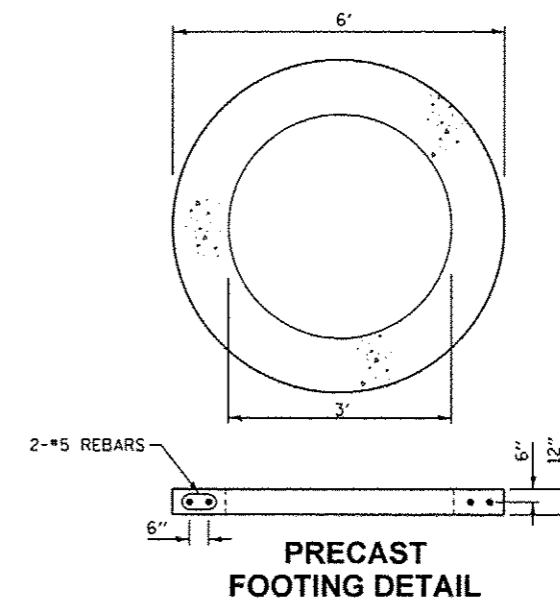


**DRYWELL, TYPE G-1, 4' DIAMETER**



FILE NAME =  
 c:\pwise\work\do\_not\_delete\dms73427\100155\shs-detailed-air601.dgn

USER NAME = dms00078  
 0155-shs-detailed-air601.dgn  
 PLOT SCALE = 10,0000 / 1"  
 PLOT DATE = 08/24/2012

DESIGNED - RBL  
 DRAWN - JTC  
 CHECKED - RDY  
 DATE - 7/18/12

REVISED -  
 REVISED -  
 REVISED -  
 REVISED -

**STATE OF ILLINOIS  
 DEPARTMENT OF TRANSPORTATION**

**TIGER II - WAREHOUSE DISTRICT  
 DRYWELL DETAILS**

SCALE: N.T.S. SHEET NO. OF SHEETS STA. TO STA.

F.A.U. RTE.	SECTION	COUNTY	TOTAL SHEETS	SHEET NO.
	12-00356-01-PV	PEORIA	519	411
CONTRACT NO. 89626				
ILLINOIS FED. AID PROJECT TIC-50931581				

**Farnsworth**  
 GROUP  
 7707 N. KNOXVALE AVE, SUITE 100  
 PEORIA, ILLINOIS 61614  
 (309) 680-0888 / (309) 680-0820 Fax  
 www.far.com