

023

11-09-2018 LETTING ITEM 023

STATE OF ILLINOIS
DEPARTMENT OF TRANSPORTATION

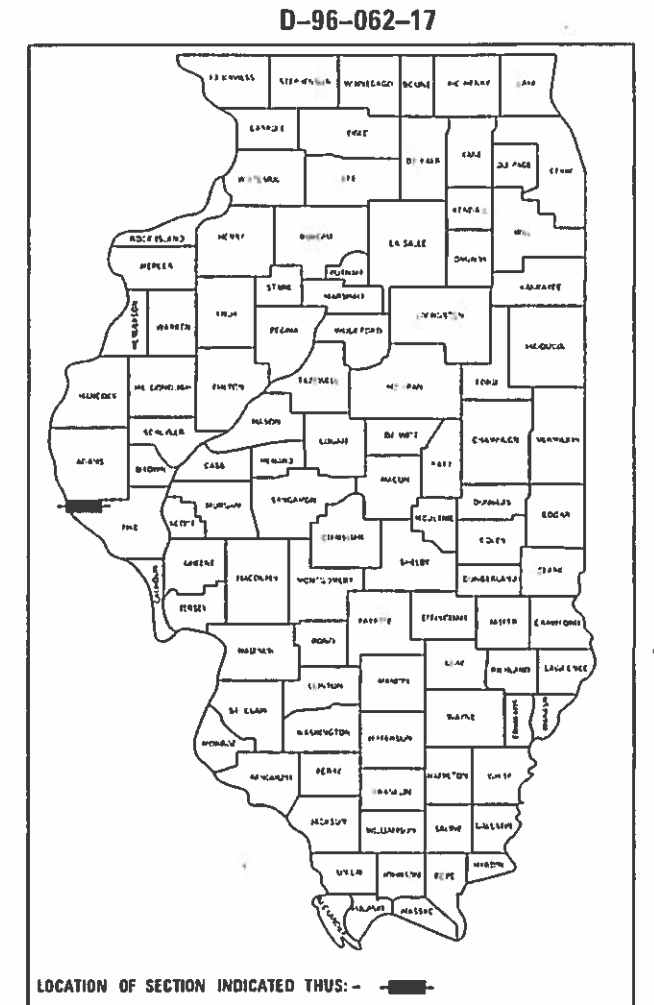
| F.A.I. RTE. | SECTION | COUNTY | TOTAL SHEETS | SHEET NO. |
|-----------------------------|------------------|--------|--------------|-----------|
| 72 | (75-1-1)RS-2,BRR | PIKE | 82 | 1 |
| ILLINOIS CONTRACT NO. 72J98 | | | | |

INDEX OF SHEETS

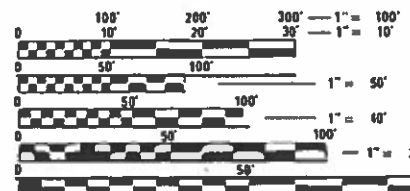
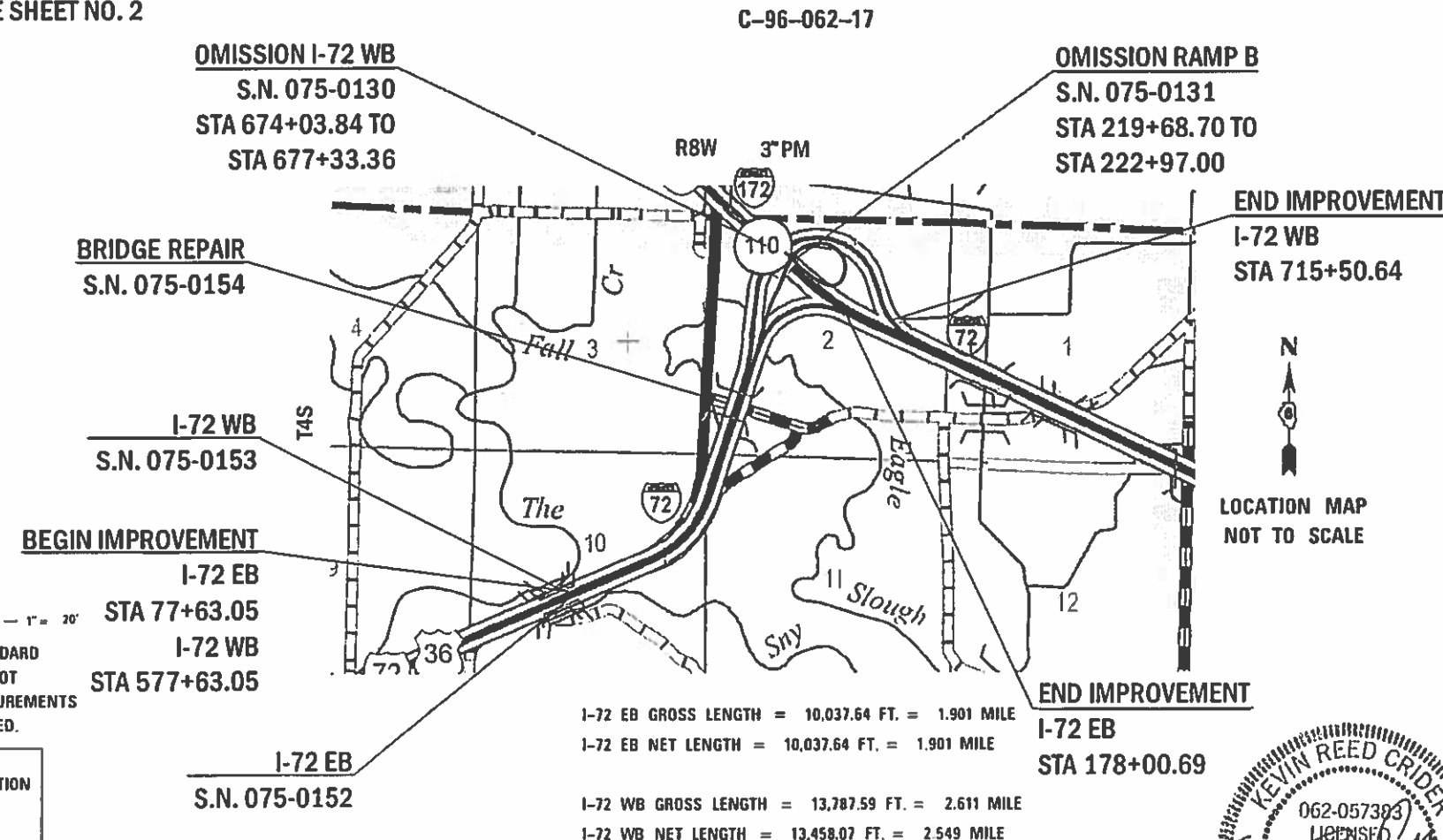
| SHEET NO. | DESCRIPTION |
|-----------|---|
| 1 | COVER SHEET |
| 2 | LIST OF STANDARDS, GENERAL NOTES, & COMMITMENTS |
| 3 TO 8 | SUMMARY OF QUANTITIES |
| 9 TO 11 | TYPICAL SECTIONS |
| 12 TO 17 | SCHEDULES OF QUANTITIES |
| 18 TO 23 | ALIGNMENT, TIES, AND CONTROL POINTS |
| 24 TO 32 | REMOVAL PLANS |
| 33 TO 43 | PLAN SHEETS |
| 44 TO 50 | MAINTENANCE OF TRAFFIC PLANS |
| 51 TO 54 | DETOUR PLAN |
| 55 TO 70 | STRUCTURE PLANS |
| 71 TO 82 | DETAILS |

PROPOSED
HIGHWAY PLANS

F.A.I. ROUTE 72 (I-72)
SECTION (75-1-1) RS-2, BRR
PROJECT NHPP-IFJI(517)
RESURFACING & BRIDGE REPAIR
PIKE COUNTY



FOR LIST OF HIGHWAY STANDARDS, SEE SHEET NO. 2



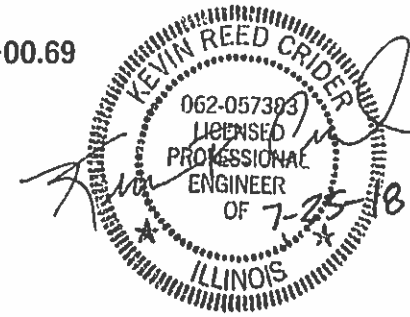
FULL SIZE PLANS HAVE BEEN PREPARED USING STANDARD ENGINEERING SCALES. REDUCED SIZED PLANS WILL NOT CONFORM TO STANDARD SCALES. IN MAKING MEASUREMENTS ON REDUCED PLANS, THE ABOVE SCALES MAY BE USED.

J.U.L.I.E.
JOINT UTILITY LOCATION INFORMATION FOR EXCAVATION
1-800-892-0123
OR 811

PROJECT ENGINEER: JAY WAVERING (217) 785-9046
PROJECT MANAGER: VICTOR YOUNG (217) 524-0472
TOWNSHIP(S): LEVEE
CONTRACT NO. 72J98



I-72 EB GROSS LENGTH = 10,037.64 FT. = 1.901 MILE
I-72 EB NET LENGTH = 10,037.64 FT. = 1.901 MILE
I-72 WB GROSS LENGTH = 13,787.59 FT. = 2.611 MILE
I-72 WB NET LENGTH = 13,458.07 FT. = 2.549 MILE
RAMP A GROSS LENGTH = 2,740.13 FT. = 0.519 MILE
RAMP A NET LENGTH = 2,740.13 FT. = 0.519 MILE
RAMP B GROSS LENGTH = 4,400.98 FT. = 0.834 MILE
RAMP B NET LENGTH = 4,182.09 FT. = 0.792 MILE



FUNCTIONAL CLASSIFICATION
PRINCIPAL ARTERIAL (INTERSTATE)
2015 ADT = 12,700
P.V. = 72.2% S.U. = 9.7% M.U. = 18.1%

STATE OF ILLINOIS
DEPARTMENT OF TRANSPORTATION
SUBMITTED August 20 18
Oct 5 2018
REGION FIVE ENGINEER
ENGINEER OF DESIGN AND ENVIRONMENT
DIRECTOR OF HIGHWAYS PROJECT IMPLEMENTATION

PRINTED BY THE AUTHORITY
OF THE STATE OF ILLINOIS

LIST OF STANDARDS

| | |
|-----------|---|
| 000001-06 | STANDARD SYMBOLS, ABBREVIATIONS AND PATTERNS |
| 001006 | DECIMAL OF AN INCH AND OF A FOOT |
| 442201-03 | CLASS C AND D PATCHES |
| 604101-01 | MEDIAN INLET for 24" (600 mm) REINFORCED CONCRETE PIPE |
| 630001-12 | STEEL PLATE BEAM GUARDRAIL |
| 630201-07 | PCC / HMA STABILIZATION AT STEEL PLATE BEAM GUARDRAIL |
| 630301-08 | SHOULDER WIDENING FOR TYPE 1 (SPECIAL) GUARDRAIL TERMINALS |
| 631011-10 | TRAFFIC BARRIER TERMINAL, TYPE 2 |
| 631031-15 | TRAFFIC BARRIER TERMINAL, TYPE 6 |
| 635001-02 | DELINEATORS |
| 642001-02 | SHOULDER RUMBLE STRIPS, 16 in. |
| 643001-02 | SAND MODULE IMPACT ATTENUATORS |
| 701101-05 | OFF-RD OPERATIONS MULTILANE, 15' (4.5 m) TO 24" (600 mm) FROM PAVEMENT EDGE |
| 701106-02 | OFF-RD OPERATIONS, MULTILANE, MORE THAN 15' (4.5 m) AWAY |
| 701201-04 | LANE CLOSURE, 2L, 2W, DAY ONLY, FOR SPEEDS ≥ 45 MPH |
| 701400-09 | APPROACH TO LANE CLOSURE, FREEWAY / EXPRESSWAY |
| 701401-11 | LANE CLOSURE, FREEWAY / EXPRESSWAY |
| 701406-11 | LANE CLOSURE, FREEWAY / EXPRESSWAY, DAY OPERATIONS ONLY |
| 701411-09 | LANE CLOSURE, MULTILANE, AT ENTRANCE OR EXIT RAMP, FOR SPEEDS ≥ 45 MPH |
| 701426-09 | LANE CLOSURE, MULTILANE, INTERMITTENT OR MOVING OPER., FOR SPEEDS ≥ 45 MPH |
| 701451-05 | RAMP CLOSURE FREEWAY / EXPRESSWAY |
| 701456-05 | PARTIAL EXIT RAMP CLOSURE FREEWAY / EXPRESSWAY |
| 701901-07 | TRAFFIC CONTROL DEVICES |
| 720001-01 | SIGN PANEL MOUNTING DETAILS |
| 720006-04 | SIGN PANEL ERECTION DETAILS |
| 720011-01 | METAL POSTS FOR SIGNS, MARKERS AND DELINEATORS |
| 725001-01 | OBJECT AND TERMINAL MARKERS |
| 780001-05 | TYPICAL PAVEMENT MARKINGS |
| 781001-04 | TYPICAL APPLICATIONS RAISED REFLECTIVE PAVEMENT MARKERS |
| 782006 | GUARDRAIL AND BARRIER WALL REFLECTOR MOUNTING DETAILS |

GENERAL NOTES

- IN ADDITION TO FIELD SURVEYS AND AERIAL SURVEYS, PLAN DIMENSIONS AND DETAILS RELATIVE TO THE EXISTING FACILITIES HAVE BEEN TAKEN FROM EXISTING PLANS AND ARE SUBJECT TO CONSTRUCTION VARIATIONS. IT SHALL BE THE CONTRACTOR'S RESPONSIBILITY TO VERIFY SUCH DIMENSIONS AND DETAILS IN THE FIELD. SUCH VARIATIONS SHALL NOT BE A CAUSE FOR ADDITIONAL COMPENSATION DUE TO A CHANGE IN THE SCOPE OF THE WORK. HOWEVER, THE CONTRACTOR WILL BE PAID FOR THE QUANTITY ACTUALLY FURNISHED AT THE BID PRICE FOR THE WORK.
- ANY EXISTING ROAD SIGNS THAT INTERFERE WITH CONSTRUCTION WILL BE REMOVED OR RELOCATED AS DIRECTED BY THE ENGINEER. AFTER THE CONSTRUCTION IS COMPLETED, THE CONTRACTOR WILL REPLACE THE SIGNS AS DIRECTED BY THE ENGINEER. THIS WORK WILL NOT BE PAID SEPARATELY BUT SHALL BE CONSIDERED INCIDENTAL TO THE CONTRACT AND NO COMPENSATION WILL BE ALLOWED.
- WHERE SECTION OR SUBSECTION MONUMENTS ARE ENCOUNTERED, THE ENGINEER SHALL BE NOTIFIED BEFORE SUCH MONUMENTS ARE REMOVED. THE CONTRACTOR SHALL PROTECT AND CAREFULLY PRESERVE ALL PROPERTY MARKERS, MONUMENTS, AND PERMANENT SURVEY MARKERS UNTIL THE OWNER AND AUTHORIZED SURVEYOR OR AGENT HAS WITNESSED OR OTHERWISE REFERENCED THEIR LOCATION.
- ALL ELEVATIONS SHOWN ON THE PLANS ARE BASED ON U.S.G.S. MEAN SEA LEVEL DATUM.
- PRIOR TO THE START OF RESURFACING OPERATIONS, THE CONTRACTOR, IN THE PRESENCE OF THE ENGINEER, SHALL MEASURE AND DOCUMENT THE EXISTING VERTICAL CLEARANCE AT THE STRUCTURE(S). MEASUREMENTS SHALL BE TAKEN AT THE EDGE OF EACH LANE; IF NECESSARY THE ENGINEER SHALL MAKE ADJUSTMENTS TO THE RESURFACING THICKNESS SHOWN IN THE PLANS TO MAINTAIN THE EXISTING VERTICAL CLEARANCE. LASTLY, THE CONTRACTOR SHALL MEASURE AND DOCUMENT THE VERTICAL CLEARANCE AT THE STRUCTURE(S) AFTER THE RESURFACING OPERATION IS COMPLETE.
- THE CONTRACTOR SHALL NOTIFY AS NECESSARY, ALL TESTING AGENCIES SUFFICIENTLY IN ADVANCE OF CONSTRUCTION. FAILURE OF THE CONTRACTOR TO ALLOW PROPER NOTIFICATION TIME WHICH RESULTS IN TESTING COMPANIES BEING UNABLE TO VISIT THE SITE AND PERFORM TESTING WILL CAUSE THE CONTRACTOR TO SUSPEND OPERATIONS TO BE TESTED UNTIL TESTING AGENCY CAN SCHEDULE TESTING OPERATIONS.
- ADDITIONAL AREAS USED FOR STORAGE MUST BE REVIEWED BY THE ENGINEER PRIOR TO USE. ALL AREAS USED SHALL BE RESTORED TO ORIGINAL CONDITION AND TO THE SATISFACTION OF THE PROPERTY OWNER.
- CONTRACTOR SHALL PROVIDE ADEQUATE DRAINAGE AND EROSION PROTECTION FOR THE DURATION OF THIS PROJECT.
- RESTORATION OF THE WORK AREA SHALL BE INCIDENTAL TO THE RELATED PAY ITEMS AND SHALL BE PLACED IN KIND. ALL DAMAGE TO MOWED LAWNS SHALL BE REPLACED WITH AN APPROVED SOD, AND ALL DAMAGE TO UNMOWED FIELDS SHALL BE SEEDED IN ACCORDANCE WITH THE STANDARD SPECIFICATIONS 252 AND 250, RESPECTIVELY.
- EXISTING PAVEMENT DAMAGED DUE TO THE CONTRACTOR'S OPERATIONS, AND NOT OTHERWISE NECESSARY TO REPLACE, SHALL BE REPLACED AT THE EXPENSE OF THE CONTRACTOR.
- PROPOSED SUPERELEVATIONS SHOWN IN THE TYPICAL SECTIONS ARE REFERENCED FROM EXISTING PLANS AND SHALL MATCH EXISTING PAVEMENT GRADES AND TRANSITIONS. THE ENGINEER SHALL FIELD VERIFY ALL EXISTING SUPERELEVATIONS.
- IN ADDITION TO THE REQUIREMENTS OF ARTICLE 107.16, THE CONTRACTOR SHALL PROTECT THE SURFACE OF ALL BRIDGE DECKS AND BRIDGE APPROACH PAVEMENTS IN A MANNER SATISFACTORY TO THE ENGINEER BEFORE ANY EQUIPMENT IS ALLOWED TO CROSS THE STRUCTURE. PROTECTION SHALL BE PROVIDED FOR ALL EQUIPMENT, AS DEFINED IN ARTICLE 101.17, REGARDLESS IF TRACK MOUNTED OR WHEELED.
- THE CONTRACTOR SHALL NOTIFY THE DISTRICT 6 BUREAU OF OPERATIONS AT (217) 785-5312 THREE WEEKS PRIOR TO IMPLEMENTING ANY TRAFFIC CONTROL.

- ALL SIGNS AND DELINEATORS CONFLICTING WITH TRAFFIC CONTROL OR CONSTRUCTION SHALL BE REMOVED AND REPLACED BY THE CONTRACTORS. THIS WORK WILL BE INCLUDED WITH THE COST FOR TRAFFIC CONTROL ON THE PROJECT. IN ADDITION, THE COST TO RELOCATE SIGNS DESIGNATED ON THE PLAN SHEETS WILL ALSO BE INCIDENTAL TO THE TRAFFIC CONTROL FOR THOSE AREAS.
- THE CONTRACTOR WILL BE RESPONSIBLE FOR THE TRAFFIC CONTROL DEVICES AT ALL TIMES DURING CONSTRUCTION ACTIVITIES AND SHALL COORDINATE THE ITEMS OF WORK IN ORDER TO KEEP HAZARD TRAFFIC INCONVENIENCES TO A MINIMUM.
- NO WORK SHALL COMMENCE UNTIL ALL TRAFFIC CONTROL REQUIREMENTS ARE MET.
- ALL SIGNS AND DELINEATORS CONFLICTING WITH TRAFFIC CONTROL OR CONSTRUCTION SHALL BE REMOVED AND REPLACED BY THE CONTRACTOR. THIS WORK WILL BE INCLUDED WITH THE COST FOR TRAFFIC CONTROL ON THE PROJECT. IN ADDITION, THE COST TO RELOCATE SIGNS DESIGNATED ON THE PLAN SHEETS WILL ALSO BE INCIDENTAL TO THE TRAFFIC CONTROL FOR THOSE AREAS.
- ALL TEMPORARY PAVEMENT MARKINGS WILL BE PLACED IN SUCH A MANNER SO AS NOT TO INTERFERE WITH THE PLACEMENT OF PERMANENT PAVEMENT MARKINGS.
- EMERGENCY VEHICLE ACCESS MUST BE MAINTAINED DURING CONSTRUCTION.
- ALL AREAS DISTURBED BY THE CONTRACTOR SHALL BE SEEDED, AS DIRECTED BY THE ENGINEER, AT THE CONTRACTOR'S EXPENSE. SEEDING, CLASS 2 SHALL BE USED ON AREAS FLATTER THAN 3:1, SEEDING CLASS 3 SHALL BE USED ON AREAS 3:1 AND STEEPER.
- THE THICKNESS OF HMA MIXTURES SHOWN ON THE PLANS IS THE NOMINAL THICKNESS. DEVIATIONS FROM THE NOMINAL THICKNESS WILL BE PERMITTED WHEN SUCH DEVIATIONS OCCUR DUE TO IRREGULARITIES IN THE EXISTING SURFACE OR BASE ON WHICH THE HMA MIXTURE IS PLACED.
- FULL DEPTH SAW CUTTING ON ALL EDGES FOR REMOVAL ITEMS SHALL BE INCLUDED IN THE COST OF THE REMOVAL ITEM AS INDICATED AND IN ACCORDANCE WITH SECTION 440 OF THE STANDARD SPECIFICATIONS.
- THE ENGINEER WILL BE THE SOLE JUDGE CONCERNING CURING TIME FOR THE VARIOUS HMA LIFTS.
- REMOVED GUARDRAIL THAT IS NOT REPLACED ON THE SAME DAY MUST BE DELINEATED WITH LIGHTED BARRICADES. NO LOCATIONS WILL BE LEFT WITHOUT EITHER LIGHTED BARRICADES OR RESTORED GUARDRAIL AT ANY TIME.
- ALL GUARDRAIL SHALL HAVE A PRELIMINARY LAYOUT. GUARDRAIL POSTS SHALL BE ADJUSTED SO AS TO MISS ANY SHOULDER DRAINS, INLETS, PIPE CULVERTS, STORM SEWER OR ANY OTHER HAZARD THAT MAY INTERFERE WITH GUARDRAIL CONSTRUCTION.
- GUARDRAIL REMOVAL WILL INCLUDE THE REMOVAL OF ANY CONCRETE ENCASUREMENTS OF THE POSTS AND ANY ADDITIONAL RAILING LOCATED AT THE BOTTOM OF THE POSTS.
- ALL DAMAGE TO EXISTING PAVEMENT MARKINGS OR RAISED REFLECTIVE PAVEMENT MARKERS OUTSIDE THE REMOVAL LINE SHOWN ON THE PLANS SHALL BE REPLACED AT NO ADDITIONAL COST TO THE DEPARTMENT.
- UNLESS DIRECTED BY THE ENGINEER, PAVEMENT MARKING LINES SHALL NOT BE LAID DIRECTLY OVER A LONGITUDINAL CRACK OR JOINT OR OVER A TAR OR ASPHALT PAINTED LINE. THE EDGE OF A CENTERLINE OR LANE LINE SHALL BE OFFSET A MINIMUM DISTANCE OF 2" FROM A LONGITUDINAL CRACK OR JOINT. EDGE LINES SHALL BE APPROXIMATELY 2" FROM THE EDGE LINE OF PAVEMENT. SEE SECTION 780 OF THE STANDARD SPECIFICATIONS FOR TRAFFIC CONTROL ITEMS.

RATES OF APPLICATION TABLE

THE FOLLOWING RATES OF APPLICATION HAVE BEEN ASSUMED IN CALCULATING PLAN QUANTITIES:

| | |
|----------------------------------|---|
| HOT-MIX ASPHALT | |
| BITUMINOUS MATERIALS (TACK COAT) | 0.05 POUND/SQUARE FOOT (MILLED SURFACE) |
| | 0.025 POUND/SQUARE FOOT (BETWEEN HMA LIFTS) |
| AGGREGATE (SURFACE, BASE, ETC.) | |
| | 2.05 TON/SQUARE YARD |
| HMA SURFACE/BINDER/SOULDER | |
| | 0.056 TON/SQUARE YARD/INCH |
| RIPRAP SLURRY | |
| | 0.16 CUBIC YARDS / CUBIC YARD RIPRAP 3 |

COMMITMENTS:

- THE RESIDENT ENGINEER SHALL CONTACT STUDIES AND PLANS CONCERNING ANY MAJOR PLAN CHANGES.

MIXTURE DESIGNS

| LOCATION | I-72 MAINLINE & RAMPS | | SHOULDERS & INCIDENTALS | I-72 PATCHING |
|---------------------|-----------------------|--------------|-------------------------|---------------|
| | HMA SURFACE | HMA BINDER | HMA SHOULDER | PATCHING |
| PG GRADE | SBS PG 70-28 | SBS PG 70-28 | PG 64-22 | PG 64-22 |
| DESIGN AIR VOIDS | 4.0% @ N90 | 4.0% @ N90 | 4.0% @ N50 | 4.0% @ N90 |
| MIXTURE COMPOSITION | IL-9.5 | IL-19 | IL-9.5 | IL-19.0 |
| FRICTION AGGREGATE | MIX "E" | N/A | MIX "C" | N/A |
| QUALITY MANAGEMENT | QCP | QCP | QC/QA | QC/QA |
| SUBLOT | 1000 TONS | 1000 TONS | N/A | N/A |

| | |
|---------------------------------|--|
| DISTRICT SIX | |
| EXAMINED | <u>June 8th</u> 20 <u>18</u> <i>John C. [Signature]</i> |
| OPERATIONS ENGINEER | |
| EXAMINED | <u>June 22nd</u> 20 <u>18</u> <i>John [Signature]</i> |
| PROJECT IMPLEMENTATION ENGINEER | |
| EXAMINED | <u>June 15</u> 20 <u>18</u> <i>John P. [Signature]</i> |
| PROGRAM DEVELOPMENT ENGINEER | |

**STATE OF ILLINOIS
DEPARTMENT OF TRANSPORTATION**

GENERAL NOTES, HIGHWAY STANDARDS, & COMMITMENTS

| | | | | |
|--------------------|------------------|--------|---------------------------|-----------|
| F.A.I. RTE. | SECTION | COUNTY | TOTAL SHEETS | SHEET NO. |
| 72 | (75-1-1)RS-2,BRR | PIKE | 82 | 2 |
| CONTRACT NO. 72198 | | | ILLINOIS FED. AID PROJECT | |

SCALE: N.T.S. SHEET OF SHEETS STA. TO STA.

| PPS# 6-00175-0000 | | | |
|----------------------|----------------------|----------------------|----------------------|
| CONSTRUCTION CODE | | | |
| 90% FED 10% STATE | 90% FED 10% STATE | 90% FED 10% STATE | 90% FED 10% STATE |
| ROADWAY 0005 | BRIDGE 0047 | BRIDGE 0047 | BRIDGE 0047 |
| RURAL | S.N. 075-0130 | S.N. 075-0131 | S.N. 075-0154 |

| CODE NO. | ITEM | UNIT | TOTAL QUANTITY | | | | |
|----------|--|-------|----------------|--------|--|--|--|
| 21400100 | GRADING AND SHAPING DITCHES | FOOT | 269 | 269 | | | |
| 28100705 | STONE DUMPED RIPRAP, CLASS A3 | SQ YD | 432 | 432 | | | |
| 28200200 | FILTER FABRIC | SQ YD | 432 | 432 | | | |
| 40600290 | BITUMINOUS MATERIALS (TACK COAT) | POUND | 74,062 | 74,062 | | | |
| 40600982 | HOT-MIX ASPHALT SURFACE REMOVAL - BUTT JOINT | SQ YD | 765 | 765 | | | |
| 40600990 | TEMPORARY RAMP | SQ YD | 163 | 163 | | | |
| 40603240 | POLYMERIZED HOT-MIX ASPHALT BINDER COURSE, IL-19.0, N90 | TON | 9,763 | 9,763 | | | |
| 40603570 | POLYMERIZED HOT-MIX ASPHALT SURFACE COURSE, MIX "E", N90 | TON | 6,569 | 6,569 | | | |
| 40800050 | INCIDENTAL HOT-MIX ASPHALT SURFACING | TON | 167 | 167 | | | |
| 44000155 | HOT-MIX ASPHALT SURFACE REMOVAL, 1 1/2" | SQ YD | 49,312 | 49,312 | | | |
| 44000162 | HOT-MIX ASPHALT SURFACE REMOVAL, 3 1/4" | SQ YD | 77,480 | 77,480 | | | |
| 44201839 | CLASS D PATCHES, TYPE II, 16 INCH | SQ YD | 77 | 77 | | | |
| 48102100 | AGGREGATE WEDGE SHOULDER, TYPE B | TON | 2,465 | 2,465 | | | |
| 48203100 | HOT-MIX ASPHALT SHOULDERS | TON | 5,357 | 5,357 | | | |

* SPECIALTY ITEM

MODEL: Default
FILE NAME: ...CAD_Sheets\072J98-11-500.dgn

| | | |
|------------------------------------|------------|-----------|
| USER NAME = bemery | DESIGNED - | REVISED - |
| | DRAWN - | REVISED - |
| PLOT SCALE = 2.0000' / in. | CHECKED - | REVISED - |
| PLOT DATE = 7/25/2018 - 1:56:42 PM | DATE - | REVISED - |

**STATE OF ILLINOIS
DEPARTMENT OF TRANSPORTATION**

SUMMARY OF QUANTITIES

SCALE: N.T.S. SHEET OF SHEETS STA. TO STA.

| F.A.I. RTE. | SECTION | COUNTY | TOTAL SHEETS | SHEET NO. |
|---------------------------|------------------|--------|--------------------|--------------|
| 72 | (75-1-1)RS-2,BRR | PIKE | 82 | 3 |
| | | | CONTRACT NO. 72J98 | |
| ILLINOIS FED. AID PROJECT | | | | |

PPS# 6-00175-0000

CONSTRUCTION CODE

| CODE NO. | ITEM | UNIT | TOTAL QUANTITY | 90% FED | 90% FED | 90% FED | 90% FED |
|------------|--|-------|----------------|-----------|---------------|---------------|---------------|
| | | | | 10% STATE | 10% STATE | 10% STATE | 10% STATE |
| | | | | ROADWAY | BRIDGE | BRIDGE | BRIDGE |
| | | | | 0005 | 0047 | 0047 | 0047 |
| | | | | RURAL | S.N. 075-0130 | S.N. 075-0131 | S.N. 075-0154 |
| 50102400 | CONCRETE REMOVAL | CU YD | 0.8 | 0.5 | 0.1 | 0.2 | |
| 50105220 | PIPE CULVERT REMOVAL | FOOT | 30 | 30 | | | |
| 50300225 | CONCRETE STRUCTURES | CU YD | 19.3 | 0.9 | 10.4 | 5.1 | 2.9 |
| 50800205 | REINFORCEMENT BARS, EPOXY COATED | POUND | 1880 | 170 | 840 | 490 | 380 |
| 54002020 | EXPANSION BOLTS 3/4 INCH | EACH | 8 | 8 | | | |
| 54213447 | END SECTIONS 12" | EACH | 2 | 2 | | | |
| 54248510 | CONCRETE COLLAR | CU YD | 0.3 | 0.3 | | | |
| 60100945 | PIPE DRAINS 12" | FOOT | 30 | 30 | | | |
| * 63000001 | STEEL PLATE BEAM GUARDRAIL, TYPE A, 6 FOOT POSTS | FOOT | 2,300.0 | 2,300.0 | | | |
| * 63100045 | TRAFFIC BARRIER TERMINAL, TYPE 2 | EACH | 4 | 4 | | | |
| * 63100085 | TRAFFIC BARRIER TERMINAL, TYPE 6 | EACH | 8 | 8 | | | |
| * 63100167 | TRAFFIC BARRIER TERMINAL, TYPE 1 (SPECIAL) TANGENT | EACH | 12 | 12 | | | |
| 63200310 | GUARDRAIL REMOVAL | FOOT | 3,300.0 | 3,300.0 | | | |
| * 63500105 | DELINEATORS | EACH | 293 | 293 | | | |

* SPECIALTY ITEM

MODEL: Default
FILE NAME: ...CAD_Sheets\072198-sh-500.dgn

REV. - MS

| | | | | | | | | | | | | |
|------------------------------------|------------|-----------|---|------------------------------|-------|----|--------|-------------|------------------|--------------------|--------------|-----------|
| USER NAME = bemery | DESIGNED - | REVISED - | STATE OF ILLINOIS DEPARTMENT OF TRANSPORTATION | SUMMARY OF QUANTITIES | | | | F.A.I. RTE. | SECTION | COUNTY | TOTAL SHEETS | SHEET NO. |
| PLOT SCALE = 2.0000' / in. | DRAWN - | REVISED - | | | | | | 72 | (75-1-1)RS-2,BRR | PIKE | 82 | 4 |
| PLOT DATE = 7/25/2018 - 1:56:46 PM | CHECKED - | REVISED - | | SCALE: N.T.S. | SHEET | OF | SHEETS | STA. | TO STA. | CONTRACT NO. 72J98 | | |
| | DATE - | REVISED - | | ILLINOIS FED. AID PROJECT | | | | | | | | |

PPS# 6-00175-0000

CONSTRUCTION CODE

| CODE NO. | ITEM | UNIT | TOTAL QUANTITY | 90% FED 10% STATE | 90% FED 10% STATE | 90% FED 10% STATE | 90% FED 10% STATE |
|------------|--|--------|----------------|-------------------|-----------------------|-----------------------|-----------------------|
| | | | | ROADWAY | BRIDGE | BRIDGE | BRIDGE |
| | | | | 0005 RURAL | 0047 S.N. 075-0130 | 0047 S.N. 075-0131 | 0047 S.N. 075-0154 |
| 64200116 | SHOULDER RUMBLE STRIPS, 16 INCH | FOOT | 57,744 | 57,744 | | | |
| 64300450 | IMPACT ATTENUATORS (NON-REDIRECTIVE), TEST LEVEL 3 | EACH | 4 | | 2 | 2 | |
| 67000400 | ENGINEER'S FIELD OFFICE, TYPE A | CAL MO | 12 | 12 | | | |
| 67100100 | MOBILIZATION | L SUM | 1 | 1 | | | |
| 70100420 | TRAFFIC CONTROL AND PROTECTION, STANDARD 701411 | EACH | 3 | 3 | | | |
| 70100450 | TRAFFIC CONTROL AND PROTECTION, STANDARD 701201 | L SUM | 1 | | | | 1 |
| 70100700 | TRAFFIC CONTROL AND PROTECTION, STANDARD 701406 | L SUM | 1 | 1 | | | |
| 70100800 | TRAFFIC CONTROL AND PROTECTION, STANDARD 701401 | L SUM | 1 | 1 | | | |
| 70100820 | TRAFFIC CONTROL AND PROTECTION, STANDARD 701451 | L SUM | 1 | 1 | | | |
| 70100825 | TRAFFIC CONTROL AND PROTECTION, STANDARD 701456 | L SUM | 1 | 1 | | | |
| 70300100 | SHORT TERM PAVEMENT MARKING | FOOT | 3,659 | 3,659 | | | |
| 70300150 | SHORT TERM PAVEMENT MARKING REMOVAL | SQ FT | 1,220 | 1,220 | | | |
| * 72000100 | SIGN PANEL - TYPE 1 | SQ FT | 15.3 | 15.3 | | | |
| * 72000200 | SIGN PANEL - TYPE 2 | SQ FT | 36.0 | 36.0 | | | |

* SPECIALTY ITEM

MODEL: Default
FILE: \\nfs101\cadd\cadd_Sheet\1672198-sh-500.dgn

REV. - MS

| | | | | | | | | | | | | |
|------------------------------------|------------|-----------|---|------------------------------|-----------------|------|---------|---------------------------|------------------|--------|--------------|-----------|
| USER NAME = bemery | DESIGNED - | REVISED - | STATE OF ILLINOIS DEPARTMENT OF TRANSPORTATION | SUMMARY OF QUANTITIES | | | | F.A.I. RTE. | SECTION | COUNTY | TOTAL SHEETS | SHEET NO. |
| PLOT SCALE = 2,000' / in. | DRAWN - | REVISED - | | | | | | 72 | (75-1-1)RS-2,BRR | PIKE | 82 | 5 |
| PLOT DATE = 7/25/2018 - 1:56:50 PM | CHECKED - | REVISED - | | SCALE: N.T.S. | SHEET OF SHEETS | STA. | TO STA. | CONTRACT NO. 72J98 | | | | |
| | DATE - | REVISED - | | | | | | ILLINOIS FED. AID PROJECT | | | | |

PPS# 6-00175-0000

CONSTRUCTION CODE

| 90% FED 10% STATE ROADWAY 0005 RURAL | 90% FED 10% STATE BRIDGE 0047 S.N. 075-0130 | 90% FED 10% STATE BRIDGE 0047 S.N. 075-0131 | 90% FED 10% STATE BRIDGE 0047 S.N. 075-0154 |
|--|---|---|---|
|--|---|---|---|

| CODE NO. | ITEM | UNIT | TOTAL QUANTITY | 90% FED 10% STATE ROADWAY 0005 RURAL | 90% FED 10% STATE BRIDGE 0047 S.N. 075-0130 | 90% FED 10% STATE BRIDGE 0047 S.N. 075-0131 | 90% FED 10% STATE BRIDGE 0047 S.N. 075-0154 |
|------------|---|-------|----------------|--|---|---|---|
| 72400310 | REMOVE SIGN PANEL - TYPE 1 | SQ FT | 16 | 16 | | | |
| * 72501000 | TERMINAL MARKER - DIRECT APPLIED | EACH | 12 | 12 | | | |
| * 73000100 | WOOD SIGN SUPPORT | FOOT | 48 | 48 | | | |
| * 78004220 | PREFORMED PLASTIC PAVEMENT MARKING, TYPE B - INLAID - LINE 5" | FOOT | 6,265 | 6,265 | | | |
| * 78009005 | MODIFIED URETHANE PAVEMENT MARKING - LINE 5" | FOOT | 58,916 | 58,916 | | | |
| * 78009008 | MODIFIED URETHANE PAVEMENT MARKING - LINE 8" | FOOT | 1,683 | 1,683 | | | |
| * 78009012 | MODIFIED URETHANE PAVEMENT MARKING - LINE 12" | FOOT | 308 | 308 | | | |
| * 78100100 | RAISED REFLECTIVE PAVEMENT MARKER | EACH | 474 | 474 | | | |
| * 78200005 | GUARDRAIL REFLECTORS, TYPE A | EACH | 46 | 46 | | | |
| 78300200 | RAISED REFLECTIVE PAVEMENT MARKER REMOVAL | EACH | 474 | 474 | | | |
| X0320157 | CLEANING UNDERDRAIN OUTLETS | EACH | 73 | 73 | | | |
| X0322279 | OUTLET MARKER | EACH | 73 | 73 | | | |
| X2503000 | MAINTENANCE MOWING | ACRE | 40.50 | 40.50 | | | |
| X4820110 | HOT-MIX ASPHALT SHOULDER REMOVAL AND REPLACEMENT (SPECIAL) | SQ YD | 500 | 500 | | | |

* SPECIALTY ITEM

MODEL: Default
FILE NAME: ...CAD_Sheets\067298-sh-500.dgn

REV. - MS

| | | | | | | | | | | | | |
|------------------------------------|------------|-----------|---|------------------------------|-------|----|--------|----------------|------------------|--------------------|-----------------|--------------|
| USER NAME = bemery | DESIGNED - | REVISED - | STATE OF ILLINOIS DEPARTMENT OF TRANSPORTATION | SUMMARY OF QUANTITIES | | | | F.A.I. RTE. | SECTION | COUNTY | TOTAL SHEETS | SHEET NO. |
| PLOT SCALE = 2.0000' / in. | DRAWN - | REVISED - | | | | | | 72 | (75-1-1)RS-2,BRR | PIKE | 82 | 6 |
| PLOT DATE = 7/25/2018 - 1:56:54 PM | CHECKED - | REVISED - | | SCALE: N.T.S. | SHEET | OF | SHEETS | STA. | TO STA. | CONTRACT NO. 72J98 | | |
| | DATE - | REVISED - | | ILLINOIS FED. AID PROJECT | | | | | | | | |

PPS# 6-00175-0000

CONSTRUCTION CODE

| CODE NO. | ITEM | UNIT | TOTAL QUANTITY | 90% FED | 90% FED | 90% FED | 90% FED |
|------------|--|---------|----------------|-----------|---------------|---------------|---------------|
| | | | | 10% STATE | 10% STATE | 10% STATE | 10% STATE |
| | | | | ROADWAY | BRIDGE | BRIDGE | BRIDGE |
| | | | | 0005 | 0047 | 0047 | 0047 |
| | | | | RURAL | S.N. 075-0130 | S.N. 075-0131 | S.N. 075-0154 |
| X6024205 | MEDIAN INLET (604101), SPECIAL | EACH | 3 | 3 | | | |
| X6350120 | DELINEATOR REMOVAL | EACH | 100 | 100 | | | |
| X6430120 | REMOVE IMPACT ATTENUATORS, NO SALVAGE | EACH | 4 | | 2 | 2 | |
| X6431210 | REMOVE AND REPLACE ATTENUATOR BASE | EACH | 4 | | 2 | 2 | |
| X7015005 | CHANGEABLE MESSAGE SIGN | CAL DAY | 78 | 78 | | | |
| X7040650 | REMOVE TEMPORARY CONCRETE BARRIER | FOOT | 150 | | 100 | 50 | |
| X7200201 | WIDTH RESTRICTION SIGNING | L SUM | 1 | 1 | | | |
| * X7830072 | GROOVING FOR RECESSED PAVEMENT MARKING 6" | FOOT | 57,519 | 57,519 | | | |
| * X7830076 | GROOVING FOR RECESSED PAVEMENT MARKING 9" | FOOT | 1,683 | 1,683 | | | |
| * X7830078 | GROOVING FOR RECESSED PAVEMENT MARKING 13" | FOOT | 308 | 308 | | | |
| Z0001800 | APPROACH SLAB REPAIR (PARTIAL DEPTH) | SQ YD | 13.2 | | 6.6 | 6.6 | |
| Z0012754 | STRUCTURAL REPAIR OF CONCRETE (DEPTH EQUAL TO OR LESS THAN 5 INCHES) | SQ FT | 157.5 | | 125.0 | 32.5 | |
| Z0012755 | STRUCTURAL REPAIR OF CONCRETE (DEPTH GREATER THAN 5 INCHES) | SQ FT | 3.0 | | | | 3.0 |
| Z0016200 | DECK SLAB REPAIR (PARTIAL) | SQ YD | 0.9 | | | 0.9 | |

* SPECIALTY ITEM

MODEL: Default
FILE: \\nwr\p\cadd\Sheet\1672\98-sh-500.dgn

| | | |
|------------------------------------|------------|-----------|
| USER NAME = bemery | DESIGNED - | REVISED - |
| | DRAWN - | REVISED - |
| PLOT SCALE = 2,000' / in. | CHECKED - | REVISED - |
| PLOT DATE = 7/25/2018 - 1:56:58 PM | DATE - | REVISED - |

**STATE OF ILLINOIS
DEPARTMENT OF TRANSPORTATION**

SUMMARY OF QUANTITIES

SCALE: N.T.S. SHEET OF SHEETS STA. TO STA.

| | | | | |
|--------------------|------------------|--------|---------------------------|-----------|
| F.A.I. RTE. | SECTION | COUNTY | TOTAL SHEETS | SHEET NO. |
| 72 | (75-1-1)RS-2,BRR | PIKE | 82 | 7 |
| CONTRACT NO. 72J98 | | | ILLINOIS FED. AID PROJECT | |

| PPS# 6-00175-0000 | | | |
|----------------------|----------------------|----------------------|----------------------|
| CONSTRUCTION CODE | | | |
| 90% FED 10% STATE | 90% FED 10% STATE | 90% FED 10% STATE | 90% FED 10% STATE |
| ROADWAY | BRIDGE | BRIDGE | BRIDGE |
| 0005 | 0047 | 0047 | 0047 |
| RURAL | S.N. 075-0130 | S.N. 075-0131 | S.N. 075-0154 |

| CODE NO. | ITEM | UNIT | TOTAL QUANTITY | | | | |
|----------|----------------------------|-------|----------------|--------|--|--|--|
| Z0016702 | DETOUR SIGNING | L SUM | 1 | 1 | | | |
| Z0033700 | LONGITUDINAL JOINT SEALANT | FOOT | 29,102 | 29,102 | | | |
| Z0034105 | MATERIAL TRANSFER DEVICE | TON | 16,332 | 16,332 | | | |
| Z0065796 | RIPRAP SLURRY | SQ YD | 218 | 218 | | | |
| | | | | | | | |
| | | | | | | | |
| | | | | | | | |
| | | | | | | | |
| | | | | | | | |
| | | | | | | | |
| | | | | | | | |
| | | | | | | | |
| | | | | | | | |
| | | | | | | | |
| | | | | | | | |
| | | | | | | | |
| | | | | | | | |
| | | | | | | | |
| | | | | | | | |
| | | | | | | | |
| | | | | | | | |
| | | | | | | | |
| | | | | | | | |
| | | | | | | | |
| | | | | | | | |
| | | | | | | | |
| | | | | | | | |
| | | | | | | | |
| | | | | | | | |
| | | | | | | | |
| | | | | | | | |
| | | | | | | | |
| | | | | | | | |
| | | | | | | | |
| | | | | | | | |
| | | | | | | | |
| | | | | | | | |
| | | | | | | | |

* SPECIALTY ITEM

MODEL Default
FILE Name: ...CAD_Sheet1D67298-sh-500.dgn

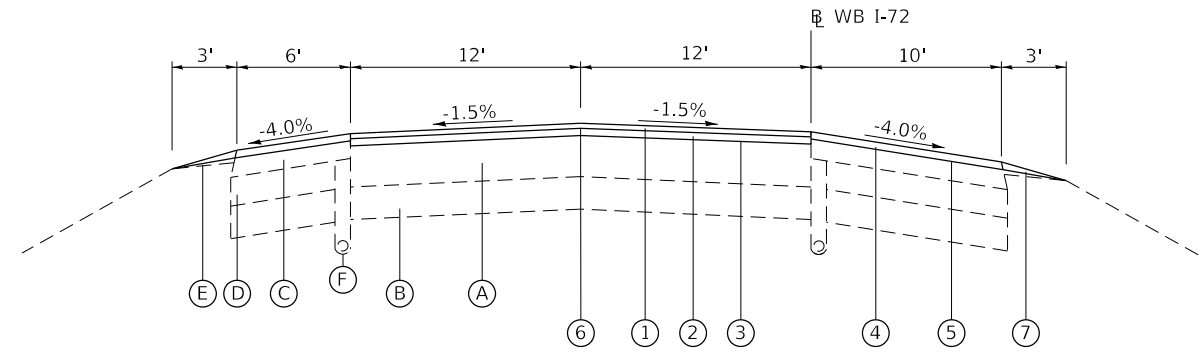
| | | |
|------------------------------------|------------|-----------|
| USER NAME = bemery | DESIGNED - | REVISED - |
| PLOT SCALE = 2,0000 ' / in. | DRAWN - | REVISED - |
| PLOT DATE = 7/25/2018 - 1:57:02 PM | CHECKED - | REVISED - |
| | DATE - | REVISED - |

**STATE OF ILLINOIS
DEPARTMENT OF TRANSPORTATION**

SUMMARY OF QUANTITIES

SCALE: N.T.S. SHEET OF SHEETS STA. TO STA.

| F.A.I. RTE. | SECTION | COUNTY | TOTAL SHEETS | SHEET NO. |
|---------------------------|------------------|--------|--------------|-----------|
| 72 | (75-1-1)RS-2,BRR | PIKE | 82 | 8 |
| CONTRACT NO. 72J98 | | | | |
| ILLINOIS FED. AID PROJECT | | | | |



I-72 TYPICAL TANGENT SECTION - WB

STA. 570+00.00 TO STA. 599+30.00
 STA. 621+41.77 TO STA. 643+53.72

NOTES:

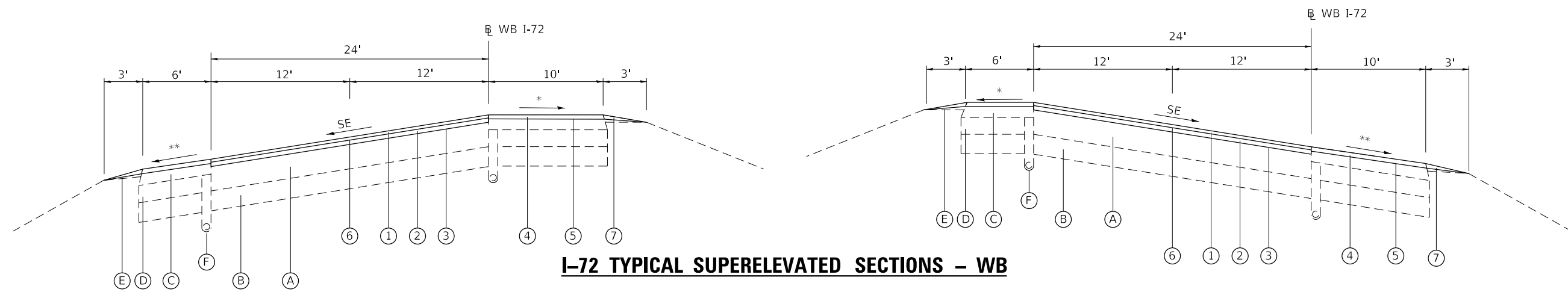
SEE ALIGNMENT SHEETS FOR SUPERELEVATION & TRANSITION LOCATIONS.

LONGITUDINAL JOINT SEALANT SHALL BE PLACED AT CENTERLINE AND RAMP TRANSITION AREAS PRIOR TO PLACING SURFACE COURSE. SEE SCHEDULES.

SHOULDER SLOPES IN SE SECTIONS:

* HIGH SIDE: WHEN THE SE RATE OF THE PAVEMENT EXCEEDS 4.0%, THE SHOULDER SHALL BE SLOPED SO THE ALGEBRAIC DIFFERENCE BETWEEN PAVEMENT AND SHOULDER WILL NOT BE GREATER THAN 8.0%. WHEN THE SE RATE OF THE PAVEMENT IS BETWEEN 0.0% AND 4.0%, THE SHOULDER SHALL BE SLOPED AT 4.0%.

** LOW SIDE: SLOPE SHALL BE THE SAME AS THE SE RATE, BUT NOT LESS THAN 4.0%.



I-72 TYPICAL SUPERELEVATED SECTIONS - WB

STA. 599+30.00 TO STA. 621+41.77

STA. 643+53.72 TO STA. 715+50.00

LEGEND

- | | |
|---|---|
| (A) EXISTING RESURFACED HMA PAVEMENT FULL DEPTH | (1) PROPOSED POLYMERIZED HMA SURFACE COURSE, 1 1/2" |
| (B) EXISTING LIME MODIFIED SOIL, 12" | (2) PROPOSED POLYMERIZED HMA BINDER COURSE, 2 1/4" |
| (C) EXISTING HOT-MIX ASPHALT SHOULDER, DEPTH VARIES | (3) PROPOSED HMA SURFACE REMOVAL, 3 1/4" |
| (D) EXISTING SUB-BASE GRANULAR MATERIAL, TYPE C | (4) PROPOSED HMA SHOULDERS, 2" |
| (E) EXISTING AGGREGATE SHOULDERS, TYPE B | (5) PROPOSED HMA SURFACE REMOVAL, 1 1/2" |
| (F) EXISTING PIPE UNDERDRAINS, 4" | (6) LONGITUDINAL JOINT SEALANT |
| | (7) PROPOSED AGGREGATE SHOULDERS, TYPE B |

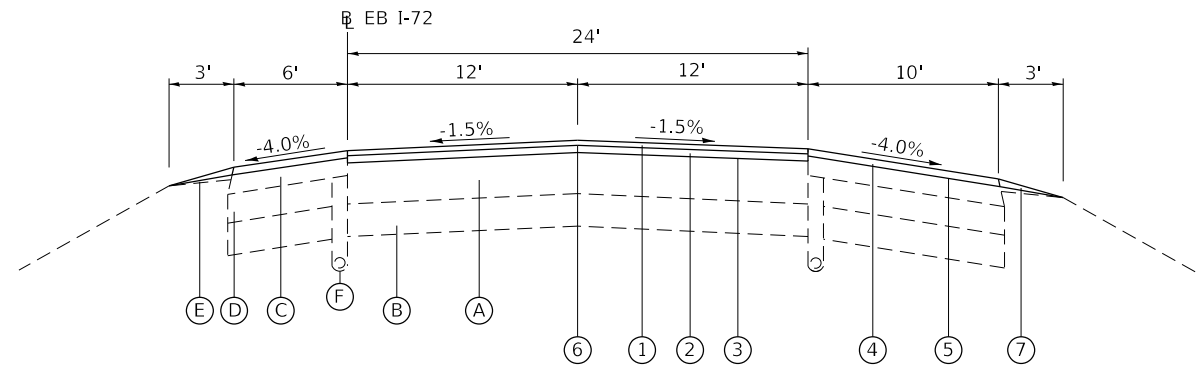
MODEL: Default
 FILE: I-72-98-111-111-111.dgn

| | | |
|------------------------------------|------------|-----------|
| USER NAME = bemory | DESIGNED - | REVISED - |
| | DRAWN - | REVISED - |
| PLOT SCALE = 100.0000' / in. | CHECKED - | REVISED - |
| PLOT DATE = 7/25/2018 - 1:57:30 PM | DATE - | REVISED - |

**STATE OF ILLINOIS
 DEPARTMENT OF TRANSPORTATION**

| | | | |
|-------------------------------------|-------|------|--------|
| TYPICAL SECTIONS I-72 WB | | | |
| SCALE: N.T.S. | SHEET | OF | SHEETS |
| STA. | TO | STA. | |

| F.A. RTE. | SECTION | COUNTY | TOTAL SHEETS | SHEET NO. |
|---------------------------|------------------|--------|--------------|-----------|
| 72 | (75-1-1)RS-2,BRR | PIKE | 82 | 9 |
| CONTRACT NO. 72J98 | | | | |
| ILLINOIS FED. AID PROJECT | | | | |



I-72 TYPICAL TANGENT SECTION – EB

STA. 80+00.00 TO STA. 98+30.00
 STA. 121+78.33 TO STA. 126+83.40
 STA. 126+83.40 TO STA. 151+82.24

NOTES:

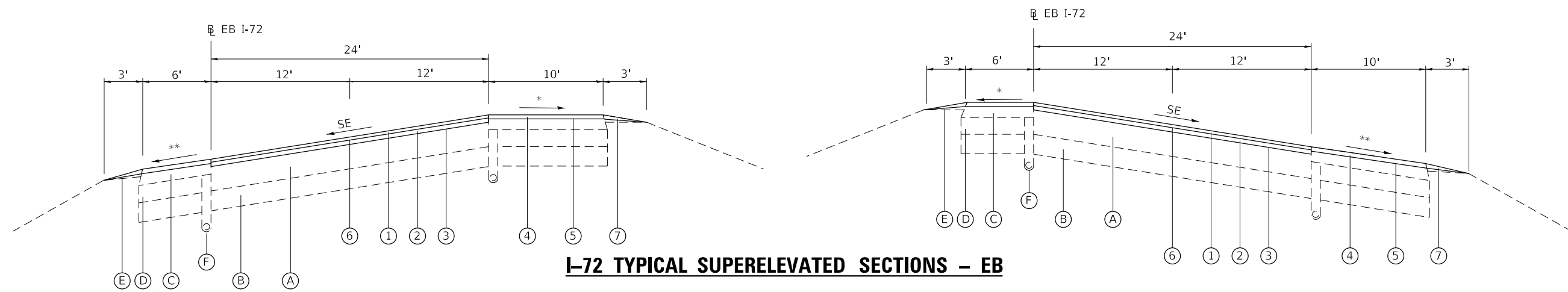
SEE ALIGNMENT SHEETS FOR SUPERELEVATION & TRANSITION LOCATIONS.

LONGITUDINAL JOINT SEALANT SHALL BE PLACED AT CENTERLINE AND RAMP TRANSITION AREAS PRIOR TO PLACING SURFACE COURSE. SEE SCHEDULES.

SHOULDER SLOPES IN SE SECTIONS:

* HIGH SIDE: WHEN THE SE RATE OF THE PAVEMENT EXCEEDS 4.0%, THE SHOULDER SHALL BE SLOPED SO THE ALGEBRAIC DIFFERENCE BETWEEN PAVEMENT AND SHOULDER WILL NOT BE GREATER THAN 8.0%. WHEN THE SE RATE OF THE PAVEMENT IS BETWEEN 0.0% AND 4.0%, THE SHOULDER SHALL BE SLOPED AT 4.0%.

** LOW SIDE: SLOPE SHALL BE THE SAME AS THE SE RATE, BUT NOT LESS THAN 4.0%.



I-72 TYPICAL SUPERELEVATED SECTIONS – EB

STA. 98+30.00 TO STA. 121+78.33

STA. 151+82.24 TO STA. 178+00.00

LEGEND

- | | |
|---|---|
| (A) EXISTING RESURFACED HMA PAVEMENT FULL DEPTH | (1) PROPOSED POLYMERIZED HMA SURFACE COURSE, 1 1/2" |
| (B) EXISTING LIME MODIFIED SOIL, 12" | (2) PROPOSED POLYMERIZED HMA BINDER COURSE, 2 1/4" |
| (C) EXISTING HOT-MIX ASPHALT SHOULDER, DEPTH VARIES | (3) PROPOSED HMA SURFACE REMOVAL, 3 1/4" |
| (D) EXISTING SUB-BASE GRANULAR MATERIAL, TYPE C | (4) PROPOSED HMA SHOULDERS, 2" |
| (E) EXISTING AGGREGATE SHOULDERS, TYPE B | (5) PROPOSED HMA SURFACE REMOVAL, 1 1/2" |
| (F) EXISTING PIPE UNDERDRAINS, 4" | (6) LONGITUDINAL JOINT SEALANT |
| | (7) PROPOSED AGGREGATE SHOULDERS, TYPE B |

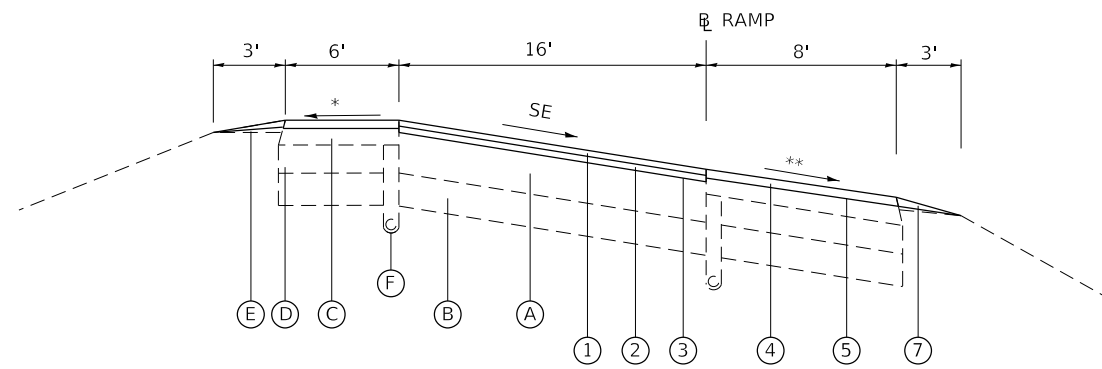
MODEL: Default
FILE: Model - 03082198-stc-typical.dgn

| | | |
|------------------------------------|------------|-----------|
| USER NAME = bemory | DESIGNED - | REVISED - |
| | DRAWN - | REVISED - |
| PLOT SCALE = 100.0000' / in. | CHECKED - | REVISED - |
| PLOT DATE = 7/25/2018 - 1:57:30 PM | DATE - | REVISED - |

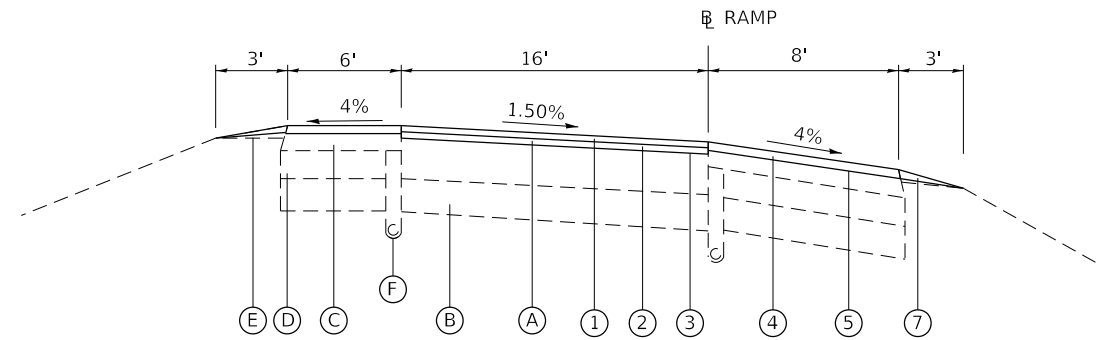
**STATE OF ILLINOIS
DEPARTMENT OF TRANSPORTATION**

| | | | |
|-------------------------------------|-------|------|--------|
| TYPICAL SECTIONS I-72 EB | | | |
| SCALE: N.T.S. | SHEET | OF | SHEETS |
| STA. | TO | STA. | |

| F.A.I. RTE. | SECTION | COUNTY | TOTAL SHEETS | SHEET NO. |
|---------------------------|------------------|--------|--------------|-----------|
| 72 | (75-1-1)RS-2,BRR | PIKE | 82 | 10 |
| CONTRACT NO. 72J98 | | | | |
| ILLINOIS FED. AID PROJECT | | | | |



RAMPS TYPICAL SUPERELEVATED SECTION



RAMPS TYPICAL TANGENT SECTION

NOTES:

SEE ALIGNMENT SHEETS FOR SUPERELEVATION & TRANSITION LOCATIONS.

LONGITUDINAL JOINT SEALANT SHALL BE PLACED AT CENTERLINE AND RAMP TRANSITION AREAS PRIOR TO PLACING SURFACE COURSE. SEE SCHEDULES.

SHOULDER SLOPES IN SE SECTIONS:

* HIGH SIDE: WHEN THE SE RATE OF THE PAVEMENT EXCEEDS 4.0%, THE SHOULDER SHALL BE SLOPED SO THE ALGEBRAIC DIFFERENCE BETWEEN PAVEMENT AND SHOULDER WILL NOT BE GREATER THAN 8.0%. WHEN THE SE RATE OF THE PAVEMENT IS BETWEEN 0.0% AND 4.0%, THE SHOULDER SHALL BE SLOPED AT 4.0%.

** LOW SIDE: SLOPE SHALL BE THE SAME AS THE SE RATE, BUT NOT LESS THAN 4.0%.

LEGEND

- | | |
|---|---|
| (A) EXISTING RESURFACED HMA PAVEMENT FULL DEPTH | (1) PROPOSED POLYMERIZED HMA SURFACE COURSE, 1 1/2" |
| (B) EXISTING LIME MODIFIED SOIL, 12" | (2) PROPOSED POLYMERIZED HMA BINDER COURSE, 2 1/4" |
| (C) EXISTING HOT-MIX ASPHALT SHOULDER, DEPTH VARIES | (3) PROPOSED HMA SURFACE REMOVAL, 3 1/4" |
| (D) EXISTING SUB-BASE GRANULAR MATERIAL, TYPE C | (4) PROPOSED HMA SHOULDERS, 2" |
| (E) EXISTING AGGREGATE SHOULDERS, TYPE B | (5) PROPOSED HMA SURFACE REMOVAL, 1 1/2" |
| (F) EXISTING PIPE UNDERDRAINS, 4" | (6) LONGITUDINAL JOINT SEALANT |
| | (7) PROPOSED AGGREGATE SHOULDERS, TYPE B |

MODEL: Default
FILE: N:\m181\030672\98-rt-ramp-typical.dgn

| | | |
|------------------------------------|------------|-----------|
| USER NAME = bemory | DESIGNED - | REVISED - |
| | DRAWN - | REVISED - |
| PLOT SCALE = 100.0000' / in. | CHECKED - | REVISED - |
| PLOT DATE = 7/25/2018 - 1:57:31 PM | DATE - | REVISED - |

**STATE OF ILLINOIS
DEPARTMENT OF TRANSPORTATION**

**TYPICAL SECTIONS
RAMPS**

SCALE: N.T.S. SHEET OF SHEETS STA. TO STA.

| F.A.I. RTE. | SECTION | COUNTY | TOTAL SHEETS | SHEET NO. |
|--------------------|------------------|----------|------------------|-----------|
| 72 | (75-1-1)RS-2,BRR | PIKE | 82 | 11 |
| CONTRACT NO. 72J98 | | | | |
| | | ILLINOIS | FED. AID PROJECT | |

DRAINAGE - EROSION

| LOCATION STATION TO STATION | SIDE | 28100705 | 28200200 | X6024205 | Z0065796 | 50105220 | 60100945 | 54002020 | 54248510 | 54213447 |
|--------------------------------|------|-------------------------------------|---------------|--------------------------------------|------------------|-------------------------|------------------|--------------------------------|--------------------|---------------------|
| | | STONE DUMPED RIPRAP, CLASS A3 | FILTER FABRIC | MEDIAN INLET (604101), SPECIAL | RIPRAP SLURRY | PIPE CULVERT REMOVAL | PIPE DRAINS, 12" | EXPANSION BOLTS 3/4 INCH | CONCRETE COLLAR | END SECTIONS 12" |
| PIKE COUNTY | | SQ YD | SQ YD | EACH | SQ YD | FOOT | FOOT | EACH | CU YD | EACH |
| FAI ROUTE 72 (EB) | | | | | | | | | | |
| 77+50.00 | LT | | | | | 13.0 | 13.0 | 4 | 0.15 | 1 |
| FAI ROUTE 72 (WB) | | | | | | | | | | |
| 577+50.00 | RT | 52.8 | 52.8 | | | 17.0 | 17.0 | 4 | 0.15 | 1 |
| 600+60.00 | LT | 72.6 | 72.6 | 1 | 72.6 | | | | | |
| 615+00.00 | RT | 72.6 | 72.6 | 1 | 72.6 | | | | | |
| 621+00.00 | RT | 72.6 | 72.6 | 1 | 72.6 | | | | | |
| 674+75.00 | LT | 36.1 | 36.1 | | | | | | | |
| 674+75.00 | RT | 36.7 | 36.7 | | | | | | | |
| 676+50.00 | LT | 45.8 | 45.8 | | | | | | | |
| 676+50.00 | RT | 42.2 | 42.2 | | | | | | | |
| PROJECT TOTAL | | 432 | 432 | 3 | 218 | 30 | 30 | 8 | 0.3 | 2 |

CHANGEABLE MESSAGE SIGN

| LOCATION STATION TO STATION | NUMBER OF SIGNS | WORKING DAYS | ADDITIONAL DAYS | CHANGEABLE MESSAGE SIGN X7015005 |
|--------------------------------|--------------------|-----------------|--------------------|--|
| | EACH | DAY | CAL DAY | CAL DAY |
| PIKE COUNTY | | | | |
| RAMP A | | | | |
| FIRST DETOUR / CLOSURE | 3 | 1 | 7 | 24 |
| SECOND DETOUR / CLOSURE | 3 | 1 | 7 | 24 |
| RAMP B | | | | |
| ONE WEEK DETOUR / CLOSURE | 2 | 8 | 7 | 30 |
| PROJECT TOTAL | | | | 78 |

SEE DETOUR PLANS FOR APPROXIMATE LOCATIONS. 7 DAYS NOTICE NEEDED PRIOR TO ROAD CLOSURE.

PAVEMENT PATCHES

| LOCATION STATION | SIDE | LENGTH | WIDTH | AREA | 44201839 |
|---|------|--------|-------|-------|--------------------------------------|
| | | | | | CLASS D PATCHES, TYPE II, 16 INCH |
| PIKE COUNTY | | FOOT | FOOT | SQ YD | SQ YD |
| FAI ROUTE 72 (WB) | | | | | |
| 715+45.00 | PL | 10.0 | 12.0 | 13.3 | 13.3 |
| 715+50.00 | DL | 10.0 | 12.0 | 6.7 | 13.3 |
| ADDITIONAL QUANTITY FOR POTENTIAL PATCHES | | | | | 50.0 |
| PROJECT TOTAL | | | | | 77 |

NOTES: DL = DRIVING LANE, PL = PASSING LANE

SHOULDER RUMBLE STRIPS

| LOCATION STATION TO STATION | SIDE | 64200116 |
|--------------------------------|------|---------------------------------------|
| | | SHOULDER RUMBLE STRIPS, 16 INCH |
| PIKE COUNTY | | FOOT |
| FAI ROUTE 72 (EB) | | |
| 77+63.05 TO 153+66.27 | LT | 7,603.2 |
| 77+63.05 TO 178+00.69 | RT | 10,037.6 |
| 156+09.00 TO 178+00.69 | LT | 2,191.7 |
| FAI ROUTE 72 (WB) | | |
| 577+63.05 TO 653+43.20 | LT | 7,580.1 |
| 577+63.05 TO 674+40.00 | RT | 9,677.0 |
| 666+88.37 TO 674+40.00 | LT | 751.6 |
| 676+85.00 TO 715+50.64 | LT | 3,865.6 |
| 676+85.00 TO 715+50.64 | RT | 3,865.6 |
| RAMP A | | |
| 7+59.87 TO 21+51.50 | LT | 1,391.6 |
| 7+59.87 TO 35+00.15 | RT | 2,740.3 |
| RAMP B | | |
| 200+00.00 TO 220+00.00 | LT | 2,000.0 |
| 202+45.00 TO 220+00.00 | RT | 1,755.0 |
| 222+60.00 TO 244+01.82 | LT | 2,141.8 |
| 222+60.00 TO 244+01.82 | RT | 2,141.8 |
| PROJECT TOTAL | | 57,744 |

MOWING

| LOCATION STATION TO STATION | SIDE | X2503000 |
|--------------------------------|------|-----------------------|
| | | MAINTENANCE MOWING |
| PIKE COUNTY | | ACRE |
| FAI ROUTE 72 (EB) | | |
| 77+63.05 TO 153+66.27 | LT | 2.62 |
| 77+63.05 TO 178+00.69 | RT | 3.46 |
| 156+09.00 TO 178+00.69 | LT | 0.75 |
| FAI ROUTE 72 (WB) | | |
| 577+63.05 TO 653+43.20 | LT | 2.61 |
| 577+63.05 TO 715+50.64 | RT | 4.75 |
| 666+88.37 TO 715+50.64 | LT | 1.67 |
| RAMP A | | |
| 7+59.87 TO 21+51.50 | LT | 0.48 |
| 7+59.87 TO 35+00.15 | RT | 0.94 |
| RAMP B | | |
| 200+00.00 TO 244+01.38 | LT | 1.52 |
| 202+45.00 TO 244+01.82 | RT | 1.43 |
| PROJECT TOTAL | | 40.50 |

PROJECT TOTAL = 2 APPLICATIONS

MODEL: Default
FILE: \\nfs1\p01\67298-01-01-schedule.dgn

| | | |
|----------------------------------|------------|-----------|
| USER NAME = bemery | DESIGNED - | REVISED - |
| PLOT SCALE = 100.0000' / in. | DRAWN - | REVISED - |
| PLOT DATE = 7/25/2018 1:57:54 PM | CHECKED - | REVISED - |
| | DATE - | REVISED - |

**STATE OF ILLINOIS
DEPARTMENT OF TRANSPORTATION**

SCHEDULE OF QUANTITIES

SCALE: N.T.S. SHEET OF SHEETS STA. TO STA.

| F.A.I. RTE. | SECTION | COUNTY | TOTAL SHEETS | SHEET NO. |
|---------------------------|------------------|--------|-----------------|--------------|
| 72 | (75-1-1)RS-2,BRR | PIKE | 82 | 12 |
| CONTRACT NO. 72J98 | | | | |
| ILLINOIS FED. AID PROJECT | | | | |

PAVING

| LOCATION STATION TO STATION | SIDE | COMMENTS | 40600290 | 40603240 | 40600990 | 40603570 | 40800050 | 44000155 | 44000162 | 40600982 | 48102100 | 48203100 | X4820110 | Z0033700 | Z0034105 |
|--------------------------------|-------|----------------------------|--|--|-------------------|---|---|-------------------------------------|-----------------|--|--|---------------------------------|--|-------------------------------|--------------------------------|
| | | | BITUMINOUS MATERIALS (TACK COAT) | POLYMERIZED HOT-MIX ASPHALT BINDER COURSE, IL-19.0, N90 | TEMPORARY RAMP | POLYMERIZED HOT- MIX ASPHALT SURFACE COURSE MIX "E", N90 | INCIDENTAL HOT- MIX ASPHALT SURFACING | HOT-MIX ASPHALT SURFACE REMOVAL, | | HOT-MIX ASPHALT SURFACE REMOVAL - BUTT JOINT | AGGREGATE WEDGE SHOULDERS, TYPE B | HOT-MIX ASPHALT SHOULDERS | HOT-MIX ASPHALT SHOULDER REMOVAL & REPLACEMENT | LONGITUDINAL JOINT SEALANT | MATERIAL TRANSFER DEVICE |
| | | | POUND | TON | SQ YD | TON | TON | 1 1/2" SQ YD | 3 1/4" SQ YD | SQ YD | TON | TON | SQ YD | FOOT | TON |
| PIKE COUNTY | | | | | | | | | | | | | | | |
| STAGE 1: | | | | | | | | | | | | | | | |
| FAI ROUTE 72 (WB) | | | | | | | | | | | | | | | |
| 577+63.05 TO 577+83.05 | LT/RT | PASSING LANE-INSIDE SHLDR | | | 10.0 | | | | | 40.0 | | | | | |
| 577+63.05 TO 626+03.63 | RT | INSIDE SHOULDER | | | | | | 3,220.6 | | | | | | | |
| 577+63.05 TO 674+03.84 | LT | PASSING LANE | 5,783.0 | 1,619.2 | | | | | 12,851.0 | | | | | | 1,619.2 |
| 625+48.12 TO 631+33.12 | RT | MEDIAN CROSSOVER | | | | | | 684.2 | | | | | | | |
| 626+85.05 TO 674+41.43 | RT | INSIDE SHOULDER | | | | | | 3,080.7 | | | | | | | |
| 673+83.84 TO 674+03.84 | LT | PASSING LANE | | | 6.7 | | | | | 26.7 | | | | | |
| 674+21.43 TO 674+41.43 | RT | INSIDE SHOULDER | | | 3.3 | | | | | 13.3 | | | | | |
| 676+89.17 TO 676+99.17 | RT | INSIDE SHOULDER | | | 3.3 | | | | | 13.3 | | | | | |
| 676+89.17 TO 715+50.64 | RT | INSIDE SHOULDER | | | | | | 2,571.4 | | | | | | | |
| 677+33.36 TO 677+53.36 | LT | PASSING LANE-INSIDE SHLDR | | | 6.7 | | | | | 26.7 | | | | | |
| 677+33.36 TO 715+50.64 | LT | PASSING LANE | 2,294.7 | 642.5 | | | | | 5,099.4 | | | | | | 642.5 |
| 715+30.64 TO 715+50.64 | LT/RT | PASSING LANE-INSIDE SHLDR | | | 10.0 | | | | | 40.0 | | | | | |
| FAI ROUTE 72 (EB) | | | | | | | | | | | | | | | |
| 77+63.05 TO 77+83.05 | LT/RT | PASSING LANE-INSIDE SHLDR | | | 10.0 | | | | | 40.0 | | | | | |
| 77+63.05 TO 126+48.91 | LT | INSIDE SHOULDER | | | | | | 3,162.7 | | | | | | | |
| 77+63.05 TO 178+00.00 | RT | PASSING LANE | 6,022.6 | 1,686.3 | | | | | 13,383.5 | | | | | | 1,686.3 |
| 121+82.19 TO 127+95.85 | LT | MEDIAN CROSSOVER | | | | | | 804.9 | | | | | | | |
| 127+30.27 TO 153+66.27 | LT | INSIDE SHOULDER | | | | | | 1,743.1 | | | | | | | |
| 135+10.80 TO 153+66.27 | LT | 3RD LANE | 1,028.0 | 287.8 | | | | | 2,284.3 | | | | | | 287.8 |
| 153+66.27 TO 155+42.41 | LT | GORE AREA | 66.6 | 18.7 | | | | | 148.1 | | | | | | 18.7 |
| 155+42.41 TO 163+91.66 | LT | MERGE LANE | 350.0 | 98.0 | | | | | 777.8 | | | | | | 98.0 |
| 155+42.41 TO 178+00.00 | LT | INSIDE SHOULDER | | | | | | 1,530.3 | | | | | | | |
| 177+80.00 TO 178+00.00 | LT/RT | PASSING LANE-INSIDE SHLDR | | | 10.0 | | | | | 40.0 | | | | | |
| RAMP B | | | | | | | | | | | | | | | |
| 200+00.00 TO 219+68.70 | LT | LANE | 1,594.6 | 446.5 | | | | | 3,543.5 | | | | | | 446.5 |
| 200+00.00 TO 220+00.16 | LT | LT SHLDR | | | | | | 1,073.0 | | | | | | | |
| 202+33.86 TO 220+00.07 | RT | RT SHLDR | | | | | | 1,221.3 | | | | | | | |
| 219+48.70 TO 219+68.70 | LT | LANE | | | | | | | | 35.6 | | | | | |
| 219+70.07 TO 220+00.07 | RT | RT SHLDR | | | | | | | | 13.3 | | | | | |
| 219+80.16 TO 220+00.16 | LT | LT SHLDR | | | | | | | | 8.9 | | | | | |
| 222+56.79 TO 222+76.79 | LT | LT SHLDR | | | | | | | | 13.3 | | | | | |
| 222+56.79 TO 244+01.29 | LT | LT SHLDR | | | | | | 1,200.0 | | | | | | | |
| 222+59.51 TO 222+79.51 | RT | RT SHLDR | | | | | | | | 8.9 | | | | | |
| 222+59.51 TO 244+01.29 | RT | RT SHLDR | | | | | | 1,429.7 | | | | | | | |
| 222+86.99 TO 223+06.99 | LT | LANE | | | | | | | | 35.6 | | | | | |
| 222+96.99 TO 244+01.29 | LT | LANE | 1,692.8 | 474.0 | | | | | 3,761.8 | | | | | | 474.4 |
| 243+81.29 TO 244+01.29 | LT/RT | LANE-LT & RT SHLDRS | | | | | | | | 57.8 | | | | | |
| 243+96.38 | LT/RT | LANE-LT & RT SHLDRS | | | 15.0 | | | | | | | | | | |
| STAGE 2: | | | | | | | | | | | | | | | |
| FAI ROUTE 72 (WB) | | | | | | | | | | | | | | | |
| 577+63.05 TO 577+83.05 | LT | DRIVING LANE-OUTSIDE SHLDR | | | 12.2 | | | | | 48.9 | | | | | |
| 577+63.05 TO 653+43.20 | LT | OUTSIDE SHLDR | | | | | | 8,387.8 | | | | | | | |
| 577+63.05 TO 674+03.84 | LT | DRIVING LANE | 5,779.9 | 1,618.4 | | | | | 12,844.3 | | | | | | 1,618.4 |
| 660+93.31 TO 662+93.42 | LT | GORE AREA | 20.0 | 5.6 | | | | | 44.5 | | | | | | 5.6 |
| 662+93.42 TO 674+40.29 | LT | OUTSIDE SHLDR | | | | | | 1,229.7 | | | | | | | |
| 673+83.84 TO 674+03.84 | LT | DRIVING LANE | | | 6.7 | | | | | 26.7 | | | | | |
| 674+20.29 TO 674+40.29 | LT | OUTSIDE SHLDR | | | 5.6 | | | | | 22.2 | | | | | |
| 676+74.76 TO 676+94.76 | LT | OUTSIDE SHLDR | | | 5.6 | | | | | 22.2 | | | | | |
| 676+84.76 TO 715+50.64 | LT | OUTSIDE SHLDR | | | | | | 4,361.1 | | | | | | | |
| 677+23.36 TO 677+43.36 | LT | DRIVING LANE | | | 6.7 | | | | | 26.7 | | | | | |
| 677+33.36 TO 715+50.64 | LT | DRIVING LANE | 2,303.5 | 645.0 | | | | | 5,118.9 | | | | | | 645.0 |
| 715+30.64 TO 715+50.64 | LT | DRIVING LANE-OUTSIDE SHLDR | | | 12.2 | | | | | 48.9 | | | | | |

SCHEDULE CONTINUED ON NEXT SHEET

MODEL: Default
FILE NAME: ...D57298-48-schedules.dgn

| | | |
|----------------------------------|------------|-----------|
| USER NAME = bemery | DESIGNED - | REVISED - |
| | DRAWN - | REVISED - |
| PLOT SCALE = 100.0000' / in. | CHECKED - | REVISED - |
| PLOT DATE = 7/25/2018 1:57:58 PM | DATE - | REVISED - |

**STATE OF ILLINOIS
DEPARTMENT OF TRANSPORTATION**

SCHEDULE OF QUANTITIES

SCALE: N.T.S. SHEET OF SHEETS STA. TO STA.

| F.A.I. RTE. | SECTION | COUNTY | TOTAL SHEETS | SHEET NO. |
|---------------------------|------------------|--------|-----------------|--------------|
| 72 | (75-1-1)RS-2,BRR | PIKE | 82 | 13 |
| CONTRACT NO. 72J98 | | | | |
| ILLINOIS FED. AID PROJECT | | | | |

PAVING

| LOCATION STATION TO STATION | SIDE | COMMENTS | 40600290 | 40603240 | 40600990 | 40603570 | 40800050 | 44000155 | 44000162 | 40600982 | 48102100 | 48203100 | X4820110 | Z0033700 | Z0034105 |
|--------------------------------|-------|----------------------------|--|--|-------------------|--|---|-------------------------------------|---------------|--|--|---------------------------------|--|-------------------------------|--------------------------------|
| | | | BITUMINOUS MATERIALS (TACK COAT) | POLYMERIZED HOT-MIX ASPHALT BINDER COURSE, IL-19.0, N90 | TEMPORARY RAMP | POLYMERIZED HOT- MIX ASPHALT SURFACE COURSE, MIX "E", N90 | INCIDENTAL HOT- MIX ASPHALT SURFACING | HOT-MIX ASPHALT SURFACE REMOVAL, | | HOT-MIX ASPHALT SURFACE REMOVAL - BUTT JOINT | AGGREGATE WEDGE SHOULDERS, TYPE B | HOT-MIX ASPHALT SHOULDERS | HOT-MIX ASPHALT SHOULDER REMOVAL & REPLACEMENT | LONGITUDINAL JOINT SEALANT | MATERIAL TRANSFER DEVICE |
| | | | POUND | TON | SQ YD | TON | TON | 1 1/2" | 3 1/4" | SQ YD | TON | TON | SQ YD | FOOT | TON |
| FAI ROUTE 72 (EB) | | | | | | | | | | | | | | | |
| 77+63.05 TO 77+83.05 | RT | DRIVING LANE-OUTSIDE SHLDR | | | 12.2 | | | | | 48.9 | | | | | |
| 77+63.05 TO 178+00.00 | RT | DRIVING LANE | 6,013.4 | 1,683.8 | | | | | 13,363.1 | | | | | | 1,683.8 |
| 77+63.05 TO 178+00.00 | RT | OUTSIDE SHLDR | | | | | | 11,125.9 | | | | | | | |
| 177+80.00 TO 178+00.00 | RT | DRIVING LANE-OUTSIDE SHLDR | | | 12.2 | | | | | 48.9 | | | | | |
| RAMP A | | | | | | | | | | | | | | | |
| 7+59.87 TO 7+79.87 | LT/RT | LANE-LT & RT SHLDR | | | | | | | | 57.8 | | | | | |
| 7+59.87 TO 21+73.19 | LT | LT SHOULDERS | | | | | | 635.0 | | | | | | | |
| 7+59.87 TO 25+50.15 | LT | LANE | 1,437.7 | 402.6 | | | | | 3,195.0 | | | | | | 402.6 |
| 7+59.87 TO 25+50.15 | RT | RT SHOULDERS | | | | | | | | | | | | | |
| 7+59.87 TO 35+00.15 | RT | RT SHOULDERS | | | | | | 1,850.4 | | | | | | | |
| 21+73.19 TO 25+50.15 | LT | LEFT EOP | | | | | | | | | | | | 377.0 | |
| 25+50.15 | LT/RT | LANE & RT SHLDR | | | 14.4 | | | | | | | | | | |
| 25+50.15 TO 35+00.15 | LT | LANE | 478.8 | 134.1 | | | | | 1,064.0 | | | | | | 134.1 |
| STAGE 3: | | | | | | | | | | | | | | | |
| FAI ROUTE 72 (WB) | | | | | | | | | | | | | | | |
| 577+63.05 TO 626+03.63 | RT | INSIDE SHLDR | 1,449.3 | | | | | | | | 206.9 | 360.7 | | | |
| 577+63.05 TO 653+43.20 | LT | OUTSIDE SHLDR | 3,774.5 | | | | | | | | 322.1 | 939.4 | | | |
| 577+63.05 TO 674+03.84 | LT | DRIVING LANE | 2,926.2 | | | 1,088.0 | | | | | | | | | 1,088.0 |
| 577+63.05 TO 674+03.84 | LT | PASSING LANE | 2,931.7 | | | 1,089.5 | | | | | | | | 9,840.8 | 1,089.5 |
| 625+48.12 TO 631+33.12 | RT | MEDIAN CROSSOVER | | | | | 76.6 | | | | | | | 585.0 | |
| 626+85.05 TO 674+41.43 | RT | INSIDE SHLDR | 1,386.3 | | | | | | | | 202.8 | 345.0 | | | |
| 660+93.31 TO 662+93.42 | LT | GORE AREA | 10.0 | | | 3.7 | | | | | | | | 200.1 | 3.7 |
| 662+93.42 TO 674+40.29 | LT | OUTSIDE SHLDR | 553.4 | | | | | | | | 33.9 | 137.7 | | | |
| 676+84.76 TO 715+50.64 | LT | OUTSIDE SHLDR | 1,962.5 | | | | | | | | 167.1 | 488.4 | | | |
| 676+89.17 TO 715+50.64 | RT | INSIDE SHLDR | 1,157.1 | | | | | | | | 164.5 | 288.0 | | | |
| 677+33.36 TO 715+50.64 | LT | DRIVING LANE | 1,167.7 | | | 434.0 | | | | | | | | | 434.0 |
| 677+33.36 TO 715+50.64 | LT | PASSING LANE | 1,163.3 | | | 432.4 | | | | | | | | 3,817.3 | 432.4 |
| FAI ROUTE 72 (EB) | | | | | | | | | | | | | | | |
| 77+63.05 TO 126+48.91 | LT | INSIDE SHLDR | 1,423.2 | | | | | | | | 208.2 | 354.2 | | | |
| 77+63.05 TO 178+00.00 | RT | PASSING LANE | 3,041.1 | | | 1,131.7 | | | | | | | | 10,037.0 | 1,131.7 |
| 77+63.05 TO 178+00.00 | RT | DRIVING LANE | 3,048.5 | | | 1,132.9 | | | | | | | | | 1,132.9 |
| 77+63.05 TO 178+00.00 | RT | OUTSIDE SHLDR | 5,006.7 | | | | | | | | 427.4 | 1,246.1 | | | |
| 121+82.19 TO 127+95.85 | LT | MEDIAN CROSSOVER | | | | | 90.1 | | | | | | | 613.7 | |
| 127+30.27 TO 153+66.27 | LT | INSIDE SHLDR | 784.4 | | | | | | | | 112.5 | 195.2 | | | |
| 135+10.80 TO 153+66.27 | LT | 3RD LANE | 521.7 | | | 193.8 | | | | | | | | 1,855.5 | 193.8 |
| 153+66.27 TO 155+42.41 | LT | GORE AREA | 33.3 | | | 12.4 | | | | | | | | 176.1 | 12.4 |
| 155+42.41 TO 163+91.66 | LT | MERGE LANE | 178.5 | | | 66.2 | | | | | | | | 849.3 | 66.2 |
| 155+42.41 TO 178+00.00 | LT | INSIDE SHLDR | 688.6 | | | | | | | | 94.7 | 171.4 | | | |
| RAMP A | | | | | | | | | | | | | | | |
| 7+59.87 TO 21+73.19 | LT | LT SHLDR | 285.8 | | | | | | | | 60.7 | 71.1 | | | |
| 7+59.87 TO 25+50.15 | LT | LANE | 733.8 | | | 272.1 | | | | | | | | | 272.1 |
| 7+59.87 TO 35+00.15 | RT | RT SHLDR | 536.3 | | | | | | | | 116.8 | 133.5 | | | |
| 25+50.15 TO 35+00.15 | LT | LANE | 243.4 | | | 90.4 | | | | | | | | | 90.4 |
| 25+50.15 TO 35+00.15 | RT | RT SHLDR | 296.3 | | | | | | | | | 73.8 | | | |
| 25+50.15 TO 35+00.15 | LT | MERGE LANE | | | | | | | | | | | | 950.0 | |
| RAMP B | | | | | | | | | | | | | | | |
| 200+00.00 TO 219+68.70 | LT | LANE | 813.0 | | | 301.5 | | | | | | | | | 301.5 |
| 200+00.00 TO 220+00.16 | LT | INSIDE SHLDR | 482.9 | | | | | | | | 85.8 | 120.2 | | | |
| 202+33.86 TO 220+00.07 | RT | OUTSIDE SHLDR | 549.6 | | | | | | | | 75.0 | 136.8 | | | |
| 222+56.79 TO 244+01.29 | LT | INSIDE SHLDR | 540.0 | | | | | | | | 95.7 | 134.4 | | | |
| 222+59.51 TO 244+01.29 | RT | OUTSIDE SHLDR | 643.3 | | | | | | | | 90.0 | 160.1 | | | |
| 222+96.99 TO 244+01.29 | LT | LANE | 863.9 | | | 320.4 | | | | | | | | | 320.4 |
| VARIOUS LOCATIONS | | | | | | | | | | | | | | | |
| | | | | | | | | | | | | | 500.0 | | |
| PROJECT TOTAL | | | 74,062 | 9,763 | 163 | 6,569 | 167 | 49,312 | 77,480 | 765 | 2,465 | 5,357 | 500 | 29,102 | 16,332 |

MODEL: Default
FILE NAME: ...DSZ7298-418-schedule.dgn

| | | |
|------------------------------------|------------|-----------|
| USER NAME = bemery | DESIGNED - | REVISED - |
| | DRAWN - | REVISED - |
| PLOT SCALE = 100.0000' / in. | CHECKED - | REVISED - |
| PLOT DATE = 7/25/2018 - 1:58:04 PM | DATE - | REVISED - |

**STATE OF ILLINOIS
DEPARTMENT OF TRANSPORTATION**

SCHEDULE OF QUANTITIES

SCALE: N.T.S. SHEET OF SHEETS STA. TO STA.

| F.A.I. RTE. | SECTION | COUNTY | TOTAL SHEETS | SHEET NO. |
|---------------------------|------------------|--------|-----------------|--------------|
| 72 | (75-1-1)RS-2,BRR | PIKE | 82 | 14 |
| CONTRACT NO. 72J98 | | | | |
| ILLINOIS FED. AID PROJECT | | | | |

DELINEATORS

| LOCATION STATION TO STATION | SIDE | 63500105 | X6350120 |
|--------------------------------|------|-------------|-----------------------|
| | | DELINEATORS | DELINEATOR REMOVAL |
| | | EACH | EACH |
| PIKE COUNTY | | | |
| FAI ROUTE 72 (EB) | | | |
| 77+63.05 TO 100+00.00 | RT | 7 | |
| 100+00.00 TO 120+08.33 | RT | 13 | 5 |
| 120+08.33 TO 154+22.24 | RT | 11 | |
| 126+00.00 TO 151+50.00 | LT | | 4 |
| 154+22.24 TO 177+03.16 | LT | 18 | 7 |
| 154+22.24 TO 177+03.16 | RT | 18 | 8 |
| FAI ROUTE 72 (WB) | | | |
| 577+63.05 TO 600+00.00 | LT | 7 | |
| 600+00.00 TO 619+71.77 | LT | 13 | 3 |
| 605+00.00 TO 680+00.00 | RT | | 6 |
| 619+71.77 TO 645+56.72 | LT | 9 | |
| 645+56.72 TO 653+43.20 | LT | 5 | |
| 653+43.20 TO 665+43.20 | LT | 5 | |
| 665+43.20 TO 702+44.17 | RT | 29 | |
| 666+88.37 TO 702+44.17 | LT | 28 | |
| 670+00.00 TO 720+00.00 | LT | | 20 |
| 685+00.00 TO 716+00.00 | RT | | 19 |
| 702+44.17 TO 706+86.10 | LT | 2 | |
| 702+44.17 TO 706+86.10 | RT | 2 | |
| 706+86.10 TO 718+04.34 | LT | 9 | |
| 706+86.10 TO 718+04.34 | RT | 9 | |
| RAMP A | | | |
| 6+50.00 TO 25+50.00 | RT | | 5 |
| 7+50.00 TO 25+50.00 | LT | | 6 |
| 7+59.87 TO 16+99.71 | LT | 9 | |
| 7+59.87 TO 16+99.71 | RT | 9 | |
| 16+99.71 TO 21+51.48 | LT | 2 | |
| 16+99.71 TO 23+00.90 | RT | 3 | |
| RAMP B | | | |
| 200+00.00 TO 203+72.65 | LT | 1 | |
| 200+00.00 TO 219+00.00 | LT | | 6 |
| 200+00.00 TO 219+00.00 | RT | | 5 |
| 203+72.65 TO 209+63.69 | LT | 1 | |
| 203+72.65 TO 209+63.69 | RT | 1 | |
| 209+63.69 TO 213+08.18 | LT | 1 | |
| 209+63.69 TO 213+08.18 | RT | 1 | |
| 213+08.18 TO 225+08.18 | LT | 9 | |
| 213+08.18 TO 225+08.18 | RT | 9 | |
| 222+50.00 | LT | | 1 |
| 225+00.00 TO 243+00.00 | RT | | 5 |
| 225+08.18 TO 232+14.06 | LT | 9 | |
| 225+08.18 TO 232+14.06 | RT | 9 | |
| 232+14.06 TO 238+14.06 | LT | 11 | |
| 232+14.06 TO 238+14.06 | RT | 11 | |
| 238+14.06 TO 244+07.60 | LT | 11 | |
| 238+14.06 TO 244+07.60 | RT | 11 | |
| PROJECT TOTAL | | 293 | 100 |

GUARDRAIL

| LOCATION STATION TO STATION | SIDE | 63200310 | 63000001 | 63100045 | 63100085 | 63100167 | 78200005 | 72501000 |
|--------------------------------|------|----------------------|--|---------------------------|----------|-----------------------------|------------------------------------|---|
| | | GUARDRAIL REMOVAL | STEEL PLATE BEAM GUARDRAIL, TYPE A, 6 FOOT POSTS | TRAFFIC BARRIER TERMINAL, | | | GUARDRAIL REFLECTORS, TYPE A | TERMINAL MARKER - DIRECT APPLIED |
| | | | | TYPE 2 | TYPE 6 | TYPE 1 (SPECIAL) TANGENT | | |
| | | FOOT | FOOT | EACH | EACH | EACH | EACH | EACH |
| PIKE COUNTY | | | | | | | | |
| FAI ROUTE 72 (EB) | | | | | | | | |
| 71+98.50 TO 74+98.50 | LT | 375.0 | 300.0 | | 1 | 1 | 5 | 1 |
| 72+36.00 TO 74+98.50 | RT | 350.0 | 262.5 | | 1 | 1 | 5 | 1 |
| 99+25.00 TO 99+87.50 | LT | 125.0 | 62.5 | 1 | | 1 | 2 | 1 |
| 138+61.51 TO 139+49.02 | LT | 150.0 | 87.5 | 1 | | 1 | 2 | 1 |
| 152+30.71 TO 152+93.29 | LT | 125.0 | 62.5 | 1 | | 1 | 3 | 1 |
| FAI ROUTE 72 (WB) | | | | | | | | |
| 577+97.50 TO 580+60.00 | LT | 350.0 | 262.5 | | 1 | 1 | 5 | 1 |
| 577+97.50 TO 580+85.00 | RT | 375.0 | 287.5 | | 1 | 1 | 5 | 1 |
| 600+04.92 TO 601+40.52 | RT | 200.0 | 137.5 | 1 | | 1 | 3 | 1 |
| 677+05.21 TO 679+24.56 | LT | 312.5 | 225.0 | | 1 | 1 | 4 | 1 |
| 677+06.08 TO 679+19.57 | RT | 312.5 | 212.5 | | 1 | 1 | 4 | 1 |
| RAMP B | | | | | | | | |
| 217+69.98 TO 219+95.82 | RT | 312.5 | 225.0 | | 1 | 1 | 4 | 1 |
| 217+74.73 TO 219+96.28 | LT | 312.5 | 225.0 | | 1 | 1 | 4 | 1 |
| PROJECT TOTAL | | 3,300.0 | 2,350.0 | 4 | 8 | 12 | 46 | 12 |

ATTENUATORS

| LOCATION STATION TO STATION | SIDE | 64300450 | X6430120 | X6431210 |
|--------------------------------|------|--|---|---------------------------------------|
| | | IMPACT ATTENUATORS (NON-REDIRECTIVE), TEST LEVEL 3 | REMOVE IMPACT ATTENUATORS, NO SALVAGE | REMOVE AND REPLACE ATTENUATOR BASE |
| | | EACH | EACH | EACH |
| PIKE COUNTY | | | | |
| FAI ROUTE 172 | | | | |
| 1017+85.00 | CL | 1 | 1 | 1 |
| 1018+25.00 | CL | 1 | 1 | 1 |
| 1019+75.00 | CL | 1 | 1 | 1 |
| 1020+05.00 | CL | 1 | 1 | 1 |
| PROJECT TOTAL | | 4 | 4 | 4 |

REMOVE TEMPORARY CONCRETE BARRIER

| LOCATION STATION TO STATION | SIDE | COMMENTS | REMOVE TEMPORARY CONCRETE BARRIER X7040650 FOOT |
|--------------------------------|------|-------------|--|
| PIKE COUNTY | | | |
| FAI ROUTE 172 | | | |
| 1018+00.00 | CL | SN 075-0130 | 100 |
| 1020+00.00 | CL | SN 075-0131 | 50 |
| PROJECT TOTAL | | | 150 |

MODEL: Default
FILE: \Admin\...0307298-PIK-schedule.dgn

| | | |
|------------------------------------|------------|-----------|
| USER NAME = bemery | DESIGNED - | REVISED - |
| | DRAWN - | REVISED - |
| PLOT SCALE = 100,0000' / in. | CHECKED - | REVISED - |
| PLOT DATE = 7/25/2018 - 1:58:11 PM | DATE - | REVISED - |

**STATE OF ILLINOIS
DEPARTMENT OF TRANSPORTATION**

SCHEDULE OF QUANTITIES

SCALE: N.T.S. SHEET OF SHEETS STA. TO STA.

| F.A.I. RTE. | SECTION | COUNTY | TOTAL SHEETS | SHEET NO. |
|---------------------------|------------------|--------|-----------------|--------------|
| 72 | (75-1-1)RS-2,BRR | PIKE | 82 | 15 |
| CONTRACT NO. 72J98 | | | | |
| ILLINOIS FED. AID PROJECT | | | | |

SHORT TERM PAVEMENT MARKING

| LOCATION STATION TO STATION | SIDE | DESCRIPTION | 70300100 | | 70300150 | |
|--------------------------------|------|-------------|--------------------------------|------------|---|------------|
| | | | SHORT TERM PAVEMENT MARKING | | SHORT TERM PAVEMENT MARKING REMOVAL | |
| | | | WHITE | YELLOW | WHITE | YELLOW |
| | | | FOOT | FOOT | SQ FT | SQ FT |
| PIKE COUNTY | | | | | | |
| FAI ROUTE 72 (EB) | | | | | | |
| 77+63.05 TO 153+66.27 | LT | SHOULDER | | 77 | | 25.7 |
| 77+63.05 TO 178+00.69 | RT | SHOULDER | 101 | | 33.7 | |
| 77+63.05 TO 178+00.69 | RT | CENTERLINE | 1,004 | | 334.7 | |
| 135+10.80 TO 153+66.27 | LT | RAMP LANE | 186 | | 62.0 | |
| 153+66.27 TO 156+09.00 | LT | SHOULDER | 3 | | 1.0 | |
| 156+09.00 TO 178+00.69 | LT | SHOULDER | | 22 | | 7.3 |
| FAI ROUTE 72 (WB) | | | | | | |
| 577+63.05 TO 653+43.20 | LT | SHOULDER | 76 | | 25.3 | |
| 577+63.05 TO 674+40.00 | RT | SHOULDER | | 97 | | 32.3 |
| 577+63.05 TO 674+03.91 | LT | CENTERLINE | 965 | | 321.7 | |
| 660+93.31 TO 674+40.00 | LT | SHOULDER | 14 | | 4.7 | |
| 676+90.00 TO 715+50.64 | LT | SHOULDER | 39 | | 13.0 | |
| 676+90.00 TO 715+50.64 | RT | SHOULDER | | 39 | | 13.0 |
| 677+33.42 TO 715+50.64 | LT | CENTERLINE | 382 | | 127.3 | |
| RAMP A | | | | | | |
| 7+59.87 TO 21+51.50 | LT | SHOULDER | | 70 | | 23.3 |
| 21+51.50 TO 27+50.00 | LT | SHOULDER | 30 | | 10.0 | |
| 7+59.87 TO 35+00.02 | RT | SHOULDER | 138 | | 46.0 | |
| RAMP B | | | | | | |
| 200+00.00 TO 220+00.00 | LT | SHOULDER | | 100 | | 33.3 |
| 200+00.00 TO 220+00.00 | RT | SHOULDER | 100 | | 33.3 | |
| 222+60.00 TO 244+01.82 | LT | SHOULDER | | 108 | | 36.0 |
| 222+60.00 TO 244+01.82 | RT | SHOULDER | 108 | | 36.0 | |
| COLOR SUBTOTAL | | | 3,146 | 513 | 1,049 | 171 |
| PROJECT TOTAL | | | 3,659 | | 1,220 | |

PAVEMENT MARKING

| LOCATION STATION TO STATION | SIDE | DESCRIPTION | 78009005 | | 78009008 | 78009012 | 78004220 | X7830072 | X7830076 | X7830078 |
|--------------------------------|------|-------------|---|---------------|---|--|--|---|--------------|------------|
| | | | MODIFIED URETHANE PAVEMENT MARKING - LINE 5" | | MODIFIED URETHANE PAVEMENT MARKING - LINE 8" | MODIFIED URETHANE PAVEMENT MARKING - LINE 12" | PREFORMED PLASTIC PAVEMENT MARKING, TYPE B - INLAID - LINE 5" | GROOVING FOR RECESSED PAVEMENT MARKING | | |
| | | | WHITE | YELLOW | WHITE | WHITE | WHITE | 6" | 9" | 13" |
| | | | FOOT | FOOT | FOOT | FOOT | FOOT | FOOT | FOOT | FOOT |
| PIKE COUNTY | | | | | | | | | | |
| FAI ROUTE 72 (EB) | | | | | | | | | | |
| 77+63.05 TO 153+66.27 | LT | EDGE | | 7,604.0 | | | | 7,604.0 | | |
| 77+63.05 TO 178+00.69 | CL | SKIP DASH | | | | 2,510.0 | | | | |
| 77+63.05 TO 178+00.69 | RT | EDGE | 10,038.0 | | | | | 10,038.0 | | |
| 135+10.80 TO 138+10.80 | LT | DOTTED | 75.0 | | | | | 75.0 | | |
| 138+10.80 TO 153+66.27 | LT | SKIP DASH | | | | 389.0 | | | | |
| 153+66.27 TO 156+09.00 | LT | EDGE | | | 243.0 | | | | 243.0 | |
| 153+66.27 TO 160+03.44 | LT | CHEVRON | | | 308.0 | | | | | 308.0 |
| 156+09.00 TO 178+00.69 | LT | EDGE | | 2,192.0 | | | | 2,192.0 | | |
| FAI ROUTE 72 (WB) | | | | | | | | | | |
| 577+63.05 TO 653+43.20 | LT | EDGE | 7,581.0 | | | | | 7,581.0 | | |
| 577+63.05 TO 674+03.91 | RT | EDGE | | | | | | 9,641.0 | | |
| 577+63.05 TO 674+03.91 | CL | SKIP DASH | | | | 2,411.0 | | | | |
| 577+63.05 TO 715+50.64 | RT | EDGE | | 13,788.0 | | | | | | |
| 660+93.31 TO 666+88.37 | LT | EDGE | | | 596.0 | | | | 596.0 | |
| 666+88.37 TO 674+03.91 | LT | EDGE | | | | | | 716.0 | | |
| 666+88.37 TO 715+50.64 | LT | EDGE | 4,863.0 | | | | | | | |
| 674+03.91 TO 677+33.42 | CL | SKIP DASH | 83.0 | | | | | | | |
| 677+33.42 TO 715+50.64 | CL | SKIP DASH | | | | 955.0 | | | | |
| 677+33.42 TO 715+50.64 | LT | EDGE | | | | | | 3,818.0 | | |
| 677+33.42 TO 715+50.64 | RT | EDGE | | | | | | 3,818.0 | | |
| RAMP A | | | | | | | | | | |
| 7+59.87 TO 21+51.50 | LT | EDGE | | 1,392.0 | | | | 1,392.0 | | |
| 7+59.87 TO 35+00.15 | RT | EDGE | 2,741.0 | | | | | 2,741.0 | | |
| 21+51.50 TO 27+50.00 | LT | EDGE | | | 599.0 | | | | 599.0 | |
| RAMP B | | | | | | | | | | |
| 200+00.00 TO 244+01.82 | LT | EDGE | | 4,402.0 | | | | | | |
| 200+00.00 TO 219+68.54 | LT | EDGE | | | | | | 1,969.0 | | |
| 200+00.00 TO 202+45.00 | RT | EDGE | | | 245.0 | | | | 245.0 | |
| 200+00.00 TO 219+68.54 | RT | EDGE | | | | | | 1,724.0 | | |
| 202+45.00 TO 244+01.82 | RT | EDGE | 4,157.0 | | | | | | | |
| 222+97.00 TO 244+01.82 | LT | EDGE | | | | | | 2,105.0 | | |
| 222+97.00 TO 244+01.82 | RT | EDGE | | | | | | 2,105.0 | | |
| COLOR SUBTOTAL | | | 29,538 | 29,378 | | | | | | |
| PROJECT TOTAL | | | 58,916 | | 1,683 | 308 | 6,265 | 57,519 | 1,683 | 308 |

MODEL: Default
FILE: \\nfs1\p1\03072198-01-01-schedule.dgn

| | | |
|------------------------------------|------------|-----------|
| USER NAME = bemery | DESIGNED - | REVISED - |
| | DRAWN - | REVISED - |
| PLOT SCALE = 100.0000' / in. | CHECKED - | REVISED - |
| PLOT DATE = 7/25/2018 - 1:58:16 PM | DATE - | REVISED - |

**STATE OF ILLINOIS
DEPARTMENT OF TRANSPORTATION**

SCHEDULE OF QUANTITIES

SCALE: N.T.S. SHEET OF SHEETS STA. TO STA.

| F.A.I. RTE. | SECTION | COUNTY | TOTAL SHEETS | SHEET NO. |
|---------------------------|------------------|--------|-----------------|--------------|
| 72 | (75-1-1)RS-2,BRR | PIKE | 82 | 16 |
| CONTRACT NO. 72J98 | | | | |
| ILLINOIS FED. AID PROJECT | | | | |

OUTLETS

| LOCATION STATION TO STATION | SIDE | X0320157 | X0322279 |
|-----------------------------|------|-----------------------------|---------------|
| | | CLEANING UNDERDRAIN OUTLETS | OUTLET MARKER |
| | | EACH | EACH |
| PIKE COUNTY | | | |
| FAI ROUTE 72 (EB) | | | |
| 85+00.00 | LT | 1 | 1 |
| 85+00.00 | RT | 1 | 1 |
| 98+00.00 | RT | 1 | 1 |
| 99+00.00 | LT | 1 | 1 |
| 108+15.00 | LT | 1 | 1 |
| 108+15.00 | RT | 1 | 1 |
| 115+35.00 | LT | 1 | 1 |
| 116+40.00 | RT | 1 | 1 |
| 121+50.00 | LT | 1 | 1 |
| 124+40.00 | RT | 1 | 1 |
| 130+40.00 | LT | 1 | 1 |
| 133+40.00 | RT | 1 | 1 |
| 137+40.00 | LT | 1 | 1 |
| 151+50.00 | RT | 1 | 1 |
| 153+00.00 | LT | 1 | 1 |
| 156+00.00 | RT | 1 | 1 |
| 158+00.00 | LT | 1 | 1 |
| 166+00.00 | LT | 1 | 1 |
| 166+00.00 | RT | 1 | 1 |
| 176+00.00 | LT | 1 | 1 |
| 176+00.00 | RT | 1 | 1 |
| FAI ROUTE 72 (WB) | | | |
| 584+00.00 | RT | 1 | 1 |
| 600+00.00 | LT | 1 | 1 |
| 600+00.00 | RT | 1 | 1 |
| 608+00.00 | LT | 1 | 1 |
| 608+00.00 | RT | 1 | 1 |
| 615+00.00 | RT | 1 | 1 |
| 616+00.00 | LT | 1 | 1 |
| 621+00.00 | RT | 1 | 1 |
| 625+00.00 | LT | 1 | 1 |
| 631+00.00 | RT | 1 | 1 |
| 633+00.00 | LT | 1 | 1 |
| 637+00.00 | RT | 1 | 1 |
| 650+00.00 | LT | 1 | 1 |
| 653+00.00 | RT | 1 | 1 |
| 661+00.00 | RT | 1 | 1 |
| 666+00.00 | RT | 1 | 1 |
| 668+50.00 | LT | 1 | 1 |
| 670+00.00 | RT | 1 | 1 |
| 682+00.00 | LT | 1 | 1 |
| 682+00.00 | RT | 1 | 1 |
| 687+00.00 | LT | 1 | 1 |
| 687+00.00 | RT | 1 | 1 |
| 692+00.00 | LT | 1 | 1 |
| 692+00.00 | RT | 1 | 1 |
| 697+00.00 | LT | 1 | 1 |
| 697+00.00 | RT | 1 | 1 |
| 705+00.00 | LT | 1 | 1 |
| 705+00.00 | RT | 1 | 1 |
| 710+00.00 | LT | 1 | 1 |
| 710+00.00 | RT | 1 | 1 |
| 714+00.00 | RT | 1 | 1 |
| 715+00.00 | LT | 1 | 1 |

OUTLETS

| LOCATION STATION TO STATION | SIDE | X0320157 | X0322279 |
|-----------------------------|------|-----------------------------|---------------|
| | | CLEANING UNDERDRAIN OUTLETS | OUTLET MARKER |
| | | EACH | EACH |
| RAMP A | | | |
| 10+00.00 | LT | 1 | 1 |
| 10+00.00 | RT | 1 | 1 |
| 15+00.00 | LT | 1 | 1 |
| 15+00.00 | RT | 1 | 1 |
| 24+00.00 | RT | 1 | 1 |
| 29+00.00 | RT | 1 | 1 |
| RAMP B | | | |
| 204+00.00 | LT | 1 | 1 |
| 204+00.00 | RT | 1 | 1 |
| 209+00.00 | LT | 1 | 1 |
| 209+00.00 | RT | 1 | 1 |
| 214+00.00 | LT | 1 | 1 |
| 214+00.00 | RT | 1 | 1 |
| 227+00.00 | LT | 1 | 1 |
| 227+00.00 | RT | 1 | 1 |
| 232+00.00 | LT | 1 | 1 |
| 232+00.00 | RT | 1 | 1 |
| 237+00.00 | LT | 1 | 1 |
| 237+00.00 | RT | 1 | 1 |
| 240+50.00 | LT | 1 | 1 |
| 240+50.00 | RT | 1 | 1 |
| PROJECT TOTAL | | 73 | 73 |

RAISED REFLECTIVE PAVEMENT MARKER

| LOCATION STATION TO STATION | SIDE | DESCRIPTION | 78100100 | 78100200 |
|-----------------------------|------|---------------|-----------------------------------|---|
| | | | RAISED REFLECTIVE PAVEMENT MARKER | RAISED REFLECTIVE PAVEMENT MARKER REMOVAL |
| | | | EACH | EACH |
| PIKE COUNTY | | | | |
| FAI ROUTE 72 (EB) | | | | |
| 77+63.05 TO 178+00.69 | CL | 1-WAY CRYSTAL | 126 | 126 |
| 135+10.80 TO 138+10.80 | LT | 1-WAY AMBER | 8 | 8 |
| 138+10.80 TO 153+66.27 | LT | 1-WAY CRYSTAL | 20 | 20 |
| 138+10.80 TO 153+66.27 | LT | 1-WAY AMBER | 20 | 20 |
| 153+66.27 TO 156+09.00 | LT | 1-WAY CRYSTAL | 7 | 7 |
| 156+09.00 TO 178+00.69 | LT | 1-WAY AMBER | 55 | 55 |
| FAI ROUTE 72 (WB) | | | | |
| 577+63.05 TO 674+03.91 | CL | 1-WAY CRYSTAL | 121 | 121 |
| 677+33.42 TO 715+50.64 | CL | 1-WAY CRYSTAL | 48 | 48 |
| 706+86.10 TO 715+50.64 | RT | 1-WAY AMBER | 22 | 22 |
| RAMP A | | | | |
| 7+59.87 TO 16+99.71 | LT | 1-WAY AMBER | 24 | 24 |
| RAMP B | | | | |
| 200+00.00 TO 202+45.00 | LT | 1-WAY AMBER | 7 | 7 |
| 200+00.00 TO 202+45.00 | RT | 1-WAY CRYSTAL | 7 | 7 |
| 202+45.00 TO 209+63.69 | RT | 1-WAY AMBER | 9 | 9 |
| PROJECT TOTAL | | | 474 | 474 |

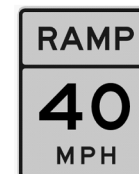
SIGNS

| LOCATION STATION | SIDE | * OFFSET (FT) | SIGN | SIGN DESIGNATION | NOTE | FOR INFORMATION ONLY | | | | 72000100 | 72000200 | 72400310 | 73000100 |
|----------------------|--------|---------------|------------------------|------------------|----------------------------------|----------------------|-------------|------------|---------------|---------------------|---------------------|--------------------------|-------------------|
| | | | | | | FREEWAY SIZE | | | | SIGN PANEL - TYPE 1 | SIGN PANEL - TYPE 2 | REMOVE SIGN PANEL TYPE 1 | WOOD SIGN SUPPORT |
| | | | | | | WIDTH INCH | LENGTH INCH | AREA SQ FT | QUANTITY EACH | SQ FT | SQ FT | SQ FT | FOOT |
| PIKE COUNTY | | | | | | | | | | | | | |
| I-72 / I-172 | | | | | | | | | | | | | |
| 150+00.00 | RT | 17 | CURVE RIGHT | W1-2 (R) | MOUNT ON EXISTING LUMINAIRE POST | 36 | 36 | 9 | 1 | 9.00 | | | |
| 150+00.00 | RT | 17 | ADVISORY SPEED, 50 MPH | W13-1P | MOUNT ON EXISTING LUMINAIRE POST | 30 | 30 | 6.25 | 1 | 6.25 | | | |
| 150+00.00 | LT | 15 | ADVISORY EXT 50 MPH | W13-2 | | 36 | 48 | 12 | 1 | | 12.00 | | 16 |
| I-172 | | | | | | | | | | | | | |
| 210+00.00 | RT, LT | 15 | ADVISORY RAMP, 40 MPH | W13-3 | | 36 | 48 | 12 | 2 | | 24.00 | | 32 |
| I-72 | | | | | | | | | | | | | |
| 158+50.00 | LT | 15 | MERGING | W4-2 | | | | | | | | 16.00 | |
| PROJECT TOTAL | | | | | | | | | | 15.3 | 36.0 | 16.0 | 48 |

* OFFSET FROM EDGE OF SHOULDER



W1-2 (R)



W13-3



W13-2



W13-1P

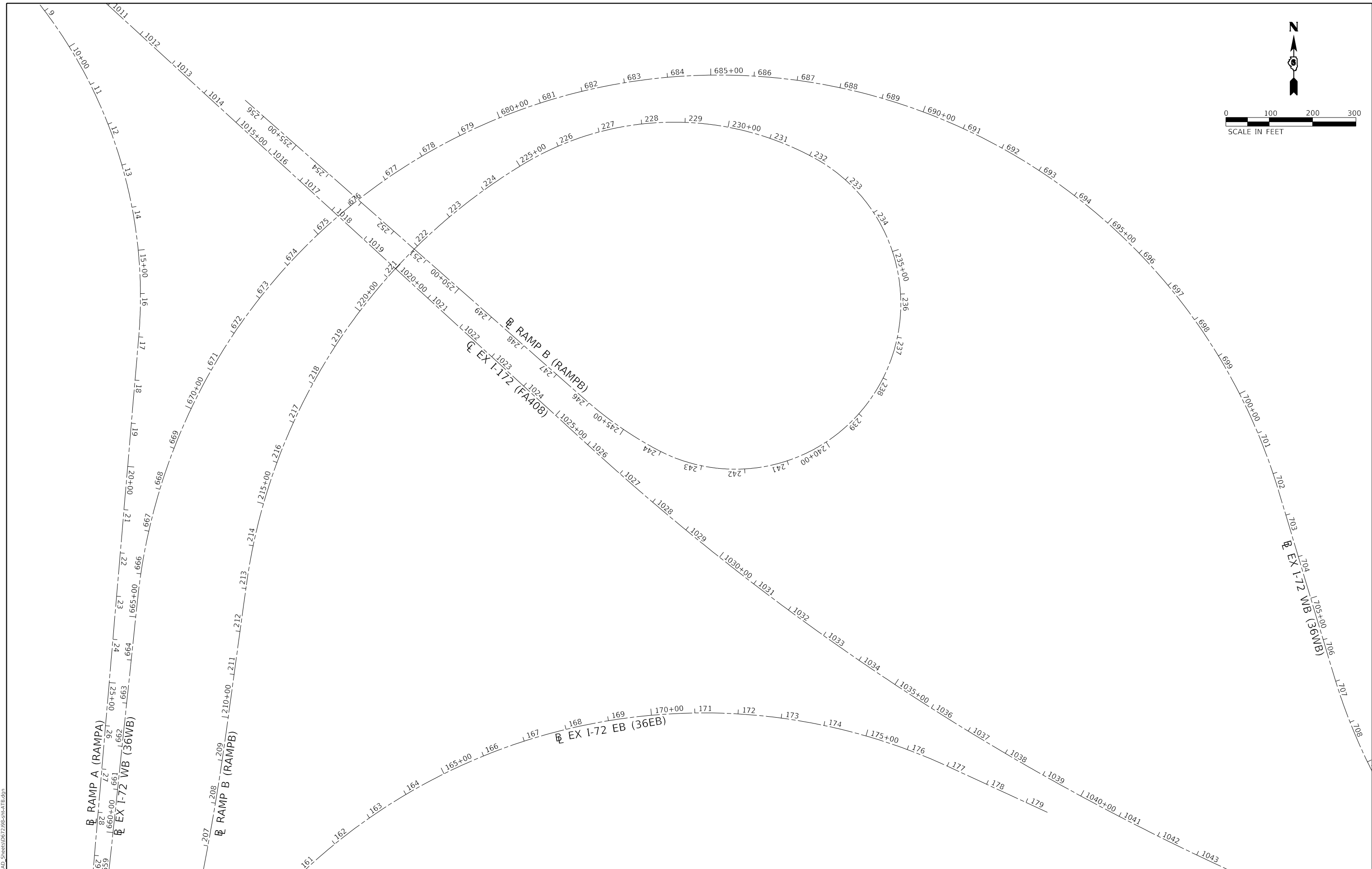
MODEL: Default
FILE: \\nfs1\...03072198-98-910-schedule.dgn

| | | |
|----------------------------------|------------|-----------|
| USER NAME = bemery | DESIGNED - | REVISED - |
| PLOT SCALE = 100.0000 ' / in. | DRAWN - | REVISED - |
| PLOT DATE = 7/25/2018 1:58:21 PM | CHECKED - | REVISED - |
| | DATE - | REVISED - |

**STATE OF ILLINOIS
DEPARTMENT OF TRANSPORTATION**

| SCHEDULE OF QUANTITIES | | | |
|------------------------|-------|-----------|--------------|
| SCALE: N.T.S. | SHEET | OF SHEETS | STA. TO STA. |
| | | | |

| F.A.I. RTE. | SECTION | COUNTY | TOTAL SHEETS | SHEET NO. |
|---------------------------|------------------|--------|--------------|-----------|
| 72 | (75-1-1)RS-2,BRR | PIKE | 82 | 17 |
| CONTRACT NO. 72J98 | | | | |
| ILLINOIS FED. AID PROJECT | | | | |



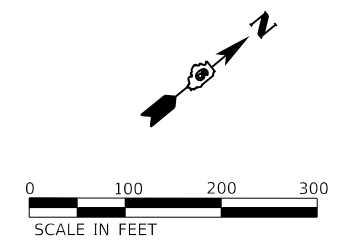
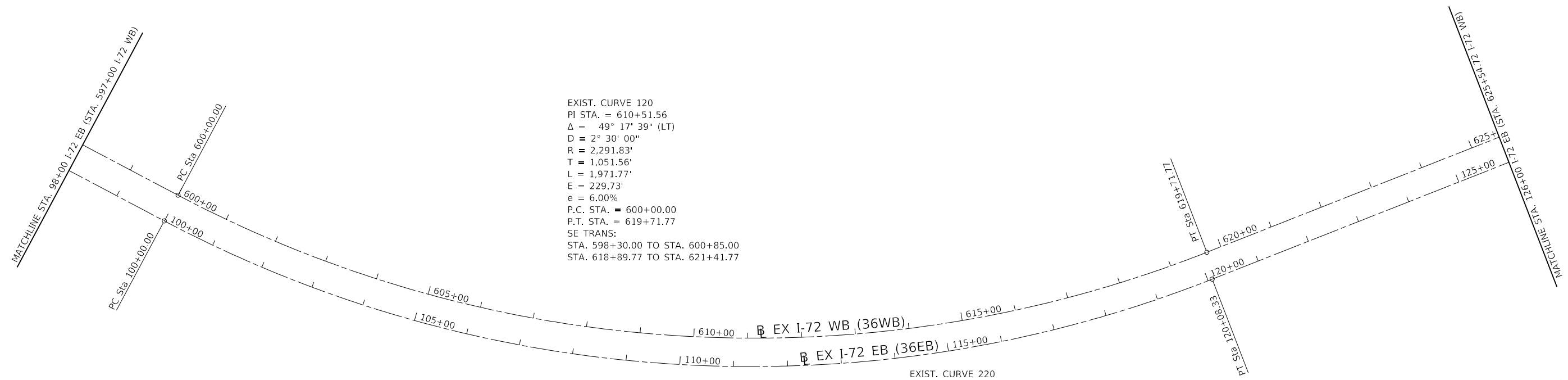
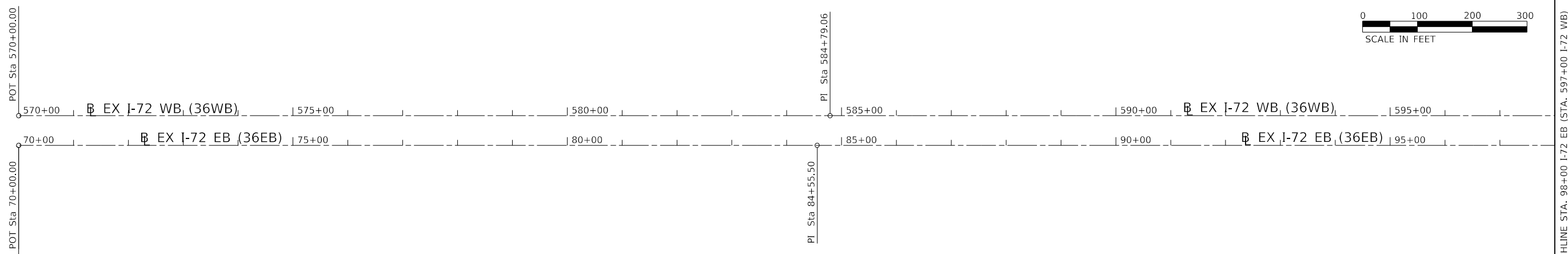
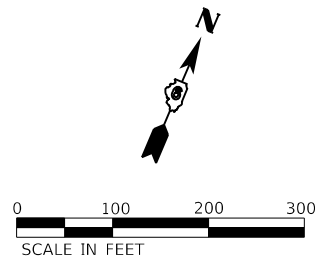
MODEL: Default
 FILE: \\mhp\cadd\cadd\Sheet\672\98-shc-atb.dgn

| | | |
|------------------------------------|------------|-----------|
| USER NAME = bemery | DESIGNED - | REVISED - |
| PLOT SCALE = 200.0000' / in. | DRAWN - | REVISED - |
| PLOT DATE = 7/25/2018 - 1:58:57 PM | CHECKED - | REVISED - |
| | DATE - | REVISED - |

STATE OF ILLINOIS
DEPARTMENT OF TRANSPORTATION

| | | | |
|-------------------------------------|-------|----|---------|
| ALIGNMENT OVERVIEW | | | |
| I-72 & I-172 INTERCHANGE | | | |
| SCALE: 1" = 100' | SHEET | OF | SHEETS |
| | STA. | | TO STA. |

| | | | | |
|--------------------|------------------|------------------|--------------|-----------|
| F.A.I. RTE. | SECTION | COUNTY | TOTAL SHEETS | SHEET NO. |
| 72 | (75-1-1)RS-2,BRR | PIKE | 82 | 18 |
| CONTRACT NO. 72J98 | | | | |
| ILLINOIS | | FED. AID PROJECT | | |



MODEL: D:\dtp\... FILE NAME: 067298-ct-c18.dgn

| | | |
|------------------------------------|------------|-----------|
| USER NAME = bemery | DESIGNED - | REVISED - |
| PLOT SCALE = 200.0000' / in. | DRAWN - | REVISED - |
| PLOT DATE = 7/25/2018 - 1:58:58 PM | CHECKED - | REVISED - |
| | DATE - | REVISED - |

**STATE OF ILLINOIS
DEPARTMENT OF TRANSPORTATION**

| ALIGNMENTS | | | |
|-------------------|-------|-----------|--------------|
| I-72 EB & I-72 WB | | | |
| SCALE: 1" = 100' | SHEET | OF SHEETS | STA. TO STA. |

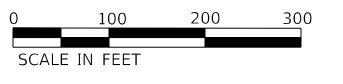
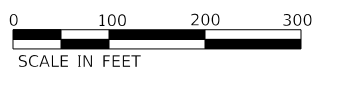
| F.A.I. RTE. | SECTION | COUNTY | TOTAL SHEETS | SHEET NO. |
|---------------------------|------------------|--------|--------------|-----------|
| 72 | (75-1-1)RS-2,BRR | PIKE | 82 | 19 |
| CONTRACT NO. 72J98 | | | | |
| ILLINOIS FED. AID PROJECT | | | | |

EXIST. CURVE 130
 PI STA. = 649+51.36
 $\Delta = 11^\circ 47' 50''$ (LT)
 $D = 1^\circ 30' 00''$
 $R = 3,819.68'$
 $T = 394.64'$
 $L = 786.48'$
 $E = 20.33'$
 $e = 5.00\%$
 P.C. STA. = 645+56.72
 P.T. STA. = 653+43.20
 SE TRANS:
 STA. 643+56.72 TO STA. 646+56.72
 STA. 652+43.20 TO STA. 655+43.20

EXIST. CURVE 230
 PI STA. = 129+33.41
 $\Delta = 1^\circ 22' 31''$ (RT)
 $D = 0^\circ 16' 30''$
 $R = 20,831.37'$
 $T = 250.01'$
 $L = 500.00'$
 $E = 1.50'$
 $e = \text{NONE}$
 P.C. STA. = 126+83.40
 P.T. STA. = 131+83.40

EXIST. CURVE 240
 PI STA. = 134+33.41
 $\Delta = 1^\circ 22' 30''$ (LT)
 $D = 0^\circ 16' 30''$
 $R = 20,834.69'$
 $T = 250.01'$
 $L = 500.00'$
 $E = 1.50'$
 $e = \text{NONE}$
 P.C. STA. = 131+83.40
 P.T. STA. = 136+83.40

EXIST. CURVE 250
 PI STA. = 169+44.40
 $\Delta = 96^\circ 56' 20''$ (RT)
 $D = 4^\circ 15' 00''$
 $R = 1,348.14'$
 $T = 1,522.16'$
 $L = 2,280.92'$
 $E = 685.19'$
 $e = 6.00\%$
 P.C. STA. = 154+22.24
 P.T. STA. = 177+03.16
 SE TRANS:
 STA. 151+82.24 TO STA. 155+42.24
 STA. 176+24.83 TO STA. 178+59.83



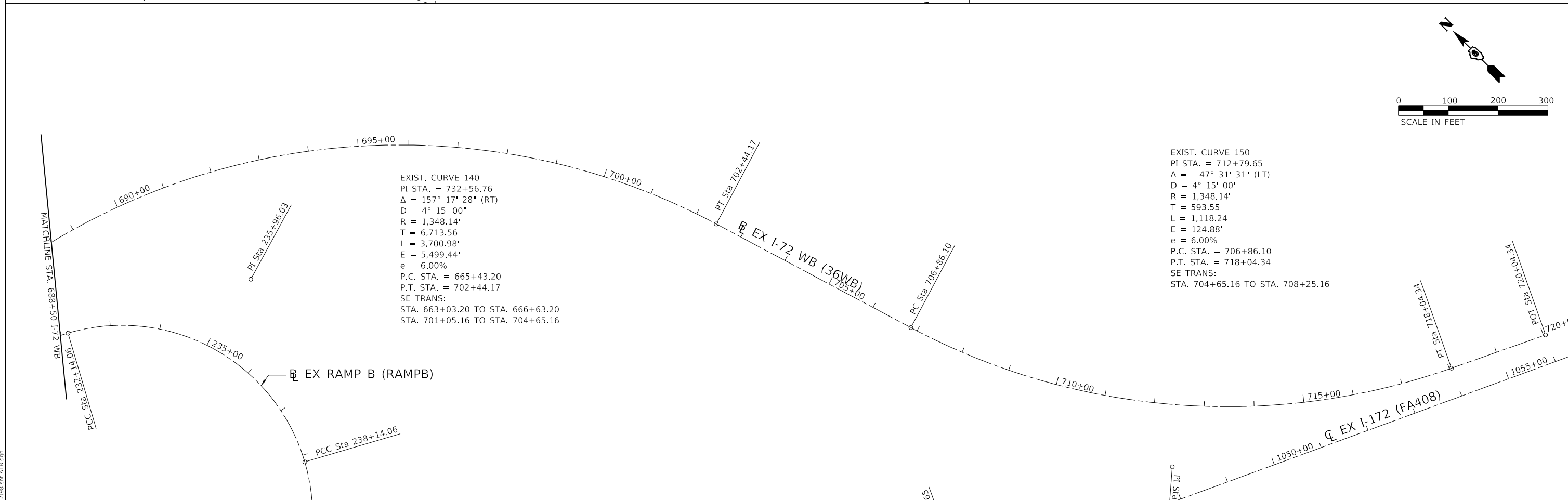
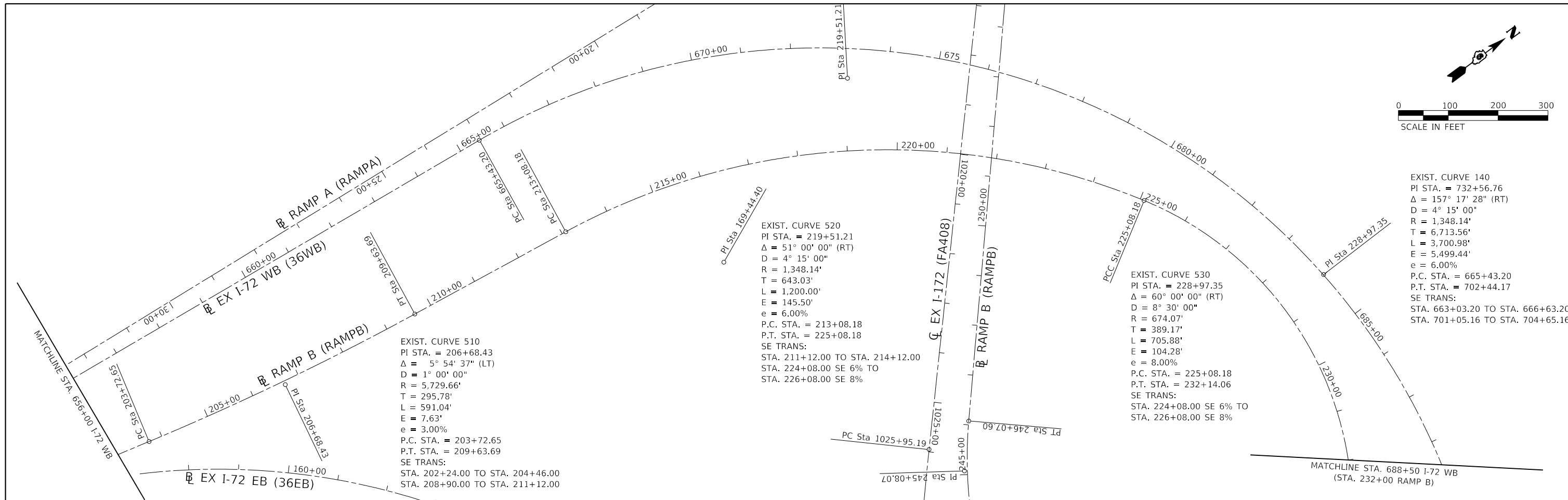
MODEL: D:\d4\11...
 FILE NAME: 067298-st-r-1B.dgn

| | | |
|------------------------------------|------------|-----------|
| USER NAME = bemery | DESIGNED - | REVISED - |
| PLOT SCALE = 200.0000' / in. | DRAWN - | REVISED - |
| PLOT DATE = 7/25/2018 - 1:58:58 PM | CHECKED - | REVISED - |
| | DATE - | REVISED - |

**STATE OF ILLINOIS
 DEPARTMENT OF TRANSPORTATION**

| | | | |
|------------------------------|-------|-----------|--------------|
| ALIGNMENTS | | | |
| I-72 EB & I-72 WB | | | |
| SCALE: 1" = 100' | SHEET | OF SHEETS | STA. TO STA. |

| | | | | |
|--------------------|------------------|------------------|--------------|-----------|
| F.A.I. RTE. | SECTION | COUNTY | TOTAL SHEETS | SHEET NO. |
| 72 | (75-1-1)RS-2,BRR | PIKE | 82 | 20 |
| CONTRACT NO. 72J98 | | | | |
| ILLINOIS | | FED. AID PROJECT | | |



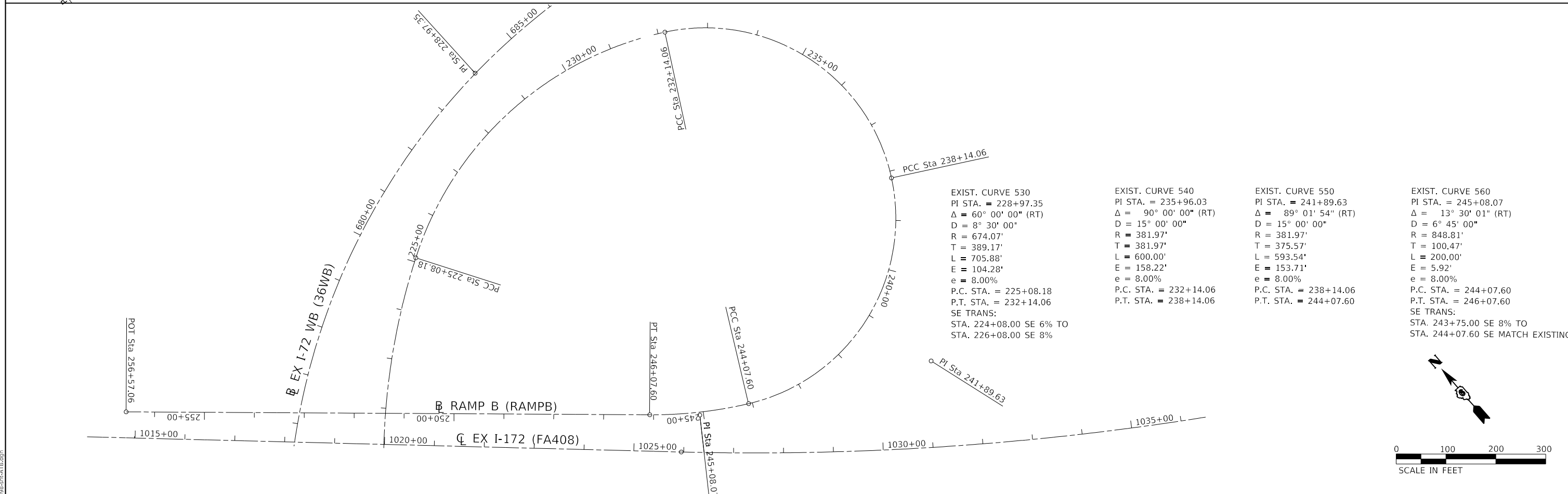
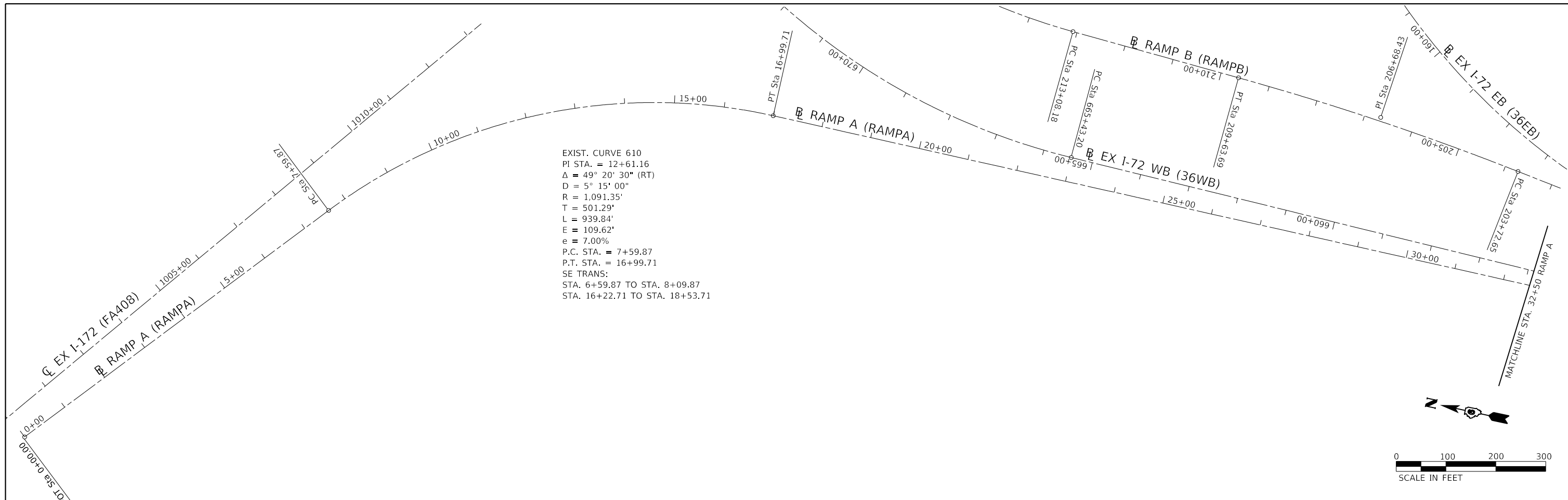
MODEL: D:\dft\it
 FILE NAME: 067298-rt-rampb.dgn

| | | |
|----------------------------------|------------|-----------|
| USER NAME = bemery | DESIGNED - | REVISED - |
| | DRAWN - | REVISED - |
| PLOT SCALE = 200.0000' / in. | CHECKED - | REVISED - |
| PLOT DATE = 7/25/2018 1:58:58 PM | DATE - | REVISED - |

**STATE OF ILLINOIS
 DEPARTMENT OF TRANSPORTATION**

| | |
|-----------------------------|------------------------------|
| ALIGNMENTS | |
| I-72 WB & RAMP B | |
| SCALE: 1" = 100' | SHEET OF SHEETS STA. TO STA. |

| F.A.I. RTE. | SECTION | COUNTY | TOTAL SHEETS | SHEET NO. |
|--------------------|------------------|------------------|--------------|-----------|
| 72 | (75-1-1)RS-2,BRR | PIKE | 82 | 21 |
| CONTRACT NO. 72J98 | | | | |
| ILLINOIS | | FED. AID PROJECT | | |



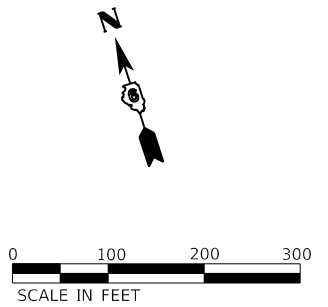
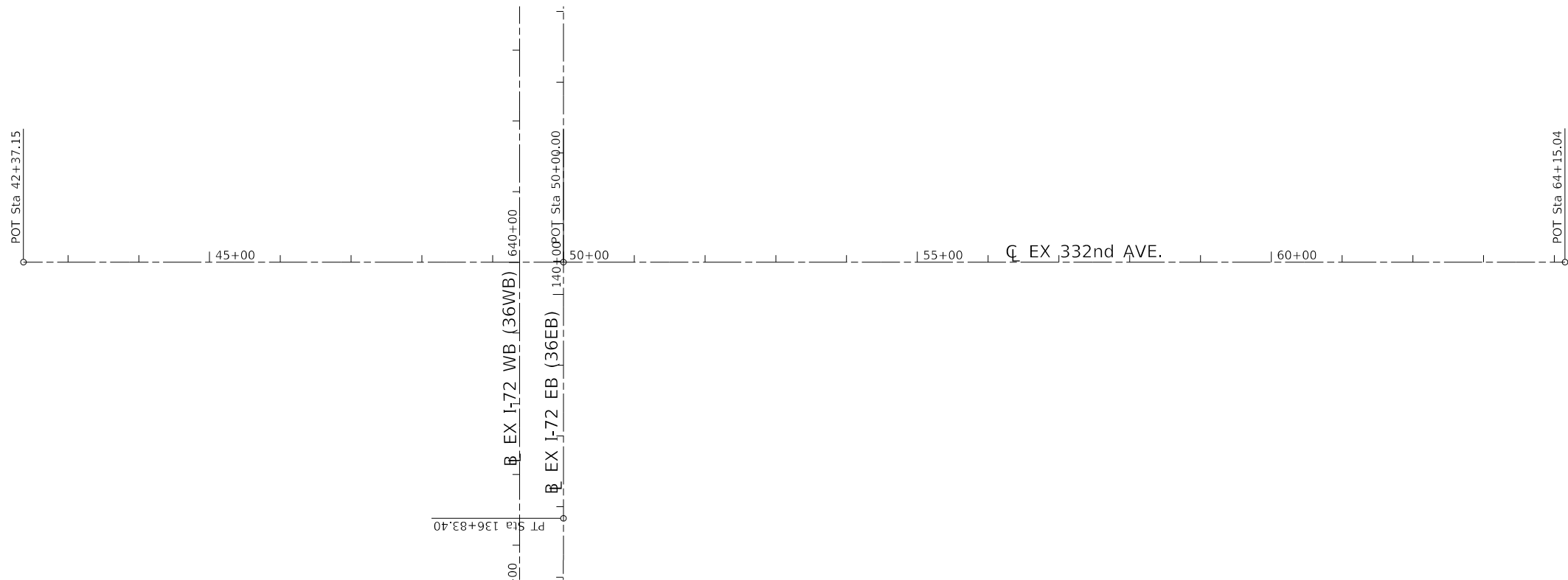
MODEL: D:\64611
 FILE: NAME: 0672J98-RT-218.dgn

| | | |
|----------------------------------|------------|-----------|
| USER NAME = bemery | DESIGNED - | REVISED - |
| | DRAWN - | REVISED - |
| PLOT SCALE = 200.0000' / in. | CHECKED - | REVISED - |
| PLOT DATE = 7/25/2018 1:58:59 PM | DATE - | REVISED - |

**STATE OF ILLINOIS
 DEPARTMENT OF TRANSPORTATION**

| ALIGNMENTS RAMP A & RAMP B | | | |
|-------------------------------|-------|-----------|--------------|
| SCALE: 1" = 100' | SHEET | OF SHEETS | STA. TO STA. |

| F.A.I. RTE. | SECTION | COUNTY | TOTAL SHEETS | SHEET NO. |
|--------------------|------------------|------------------|--------------|-----------|
| 72 | (75-1-1)RS-2,BRR | PIKE | 82 | 22 |
| CONTRACT NO. 72J98 | | | | |
| ILLINOIS | | FED. AID PROJECT | | |



ALIGNMENT CONTROL POINTS

NAD 83 2007 ADJ STATE PLANE COORDINATES, ILLINOIS WEST ZONE; NAVD 88 DATUM

| CONTROL POINTS | | | | |
|----------------|------|-----------|--------------|--------------|
| | TYPE | STA | NORTHING | EASTING |
| 36EB (I-72 EB) | POT | 70+00.00 | 1,118,989.41 | 1,972,773.71 |
| | POT | 84.55.50 | 1,119,555.34 | 1,974,114.68 |
| | PC | 100+00.00 | 1,120,155.87 | 1,975,537.66 |
| | PI | 110+71.06 | 1,120,572.32 | 1,976,524.44 |
| | PT | 120+08.33 | 1,121,591.97 | 1,976,852.30 |
| | PC | 126+83.40 | 1,122,234.63 | 1,977,058.95 |
| | PI | 129+33.41 | 1,122,472.64 | 1,977,135.48 |
| | PRC | 131+83.40 | 1,122,708.74 | 1,977,217.70 |
| | PI | 134+33.41 | 1,122,944.85 | 1,977,299.92 |
| | PT | 136+83.40 | 1,123,182.86 | 1,977,376.45 |
| | PC | 154+22.24 | 1,124,838.23 | 1,977,908.72 |
| | PI | 169+44.40 | 1,126,287.32 | 1,978,374.67 |
| | PT | 177+03.16 | 1,125,649.72 | 1,979,756.85 |
| | POT | 179+57.94 | 1,125,543.00 | 1,979,988.20 |

| CONTROL POINTS | | | | |
|----------------|-----------|--------------|--------------|--------------|
| | TYPE | STA | NORTHING | EASTING |
| 36WB (I-72 WB) | POT | 570+00.00 | 1,119,039.17 | 1,972,752.72 |
| | POT | 584+79.06 | 1,119,614.25 | 1,974,115.40 |
| | PC | 600+00.00 | 1,120,205.62 | 1,975,516.66 |
| | PI | 610+51.56 | 1,120,614.49 | 1,976,485.48 |
| | PT | 619+71.77 | 1,121,615.57 | 1,976,807.37 |
| | PC | 645+56.72 | 1,124,076.44 | 1,977,598.65 |
| | PI | 649+51.36 | 1,124,452.13 | 1,977,719.45 |
| | PT | 653+43.20 | 1,124,844.59 | 1,977,760.89 |
| | PC | 665+43.20 | 1,126,037.94 | 1,977,886.90 |
| | PI | 732+56.76 | 1,132,714.38 | 1,978,591.97 |
| | PT | 702+44.17 | 1,126,283.32 | 1,980,518.99 |
| | PC | 706+86.10 | 1,125,859.99 | 1,980,645.83 |
| | PI | 712+79.65 | 1,125,291.41 | 1,980,816.19 |
| | PT | 718+04.34 | 1,125,033.13 | 1,981,350.60 |
| POT | 720+04.34 | 1,124,946.10 | 1,981,530.67 | |

| CONTROL POINTS | | | | |
|----------------|------|----------|--------------|--------------|
| | TYPE | STA | NORTHING | EASTING |
| RAMPA (RAMP A) | POT | 0+00.00 | 1,128,040.74 | 1,977,048.58 |
| | PC | 7+59.87 | 1,127,498.39 | 1,977,580.80 |
| | PI | 12+61.16 | 1,127,140.60 | 1,977,931.90 |
| | PT | 16+99.71 | 1,126,641.12 | 1,977,889.24 |
| | POT | 35+00.15 | 1,124,847.21 | 1,977,736.03 |

| CONTROL POINTS | | | | |
|----------------|-----------|--------------|--------------|--------------|
| | TYPE | STA | NORTHING | EASTING |
| RAMPB (RAMP B) | POT | 200+00.00 | 1,124,784.94 | 1,977,891.59 |
| | PC | 203+72.65 | 1,125,146.93 | 1,977,980.07 |
| | PI | 206+68.43 | 1,125,434.26 | 1,978,050.30 |
| | PT | 209+63.69 | 1,125,727.29 | 1,978,090.57 |
| | PC | 213+08.18 | 1,126,068.57 | 1,978,137.47 |
| | PI | 219+51.21 | 1,126,705.61 | 1,978,225.01 |
| | PCC | 225+08.18 | 1,127,038.48 | 1,978,775.18 |
| | PI | 228+97.35 | 1,127,239.93 | 1,979,108.15 |
| | PCC | 232+14.06 | 1,127,052.30 | 1,979,449.11 |
| | PI | 235+96.03 | 1,126,868.14 | 1,979,783.75 |
| | PCC | 238+14.06 | 1,126,533.50 | 1,979,599.59 |
| | PI | 241+89.63 | 1,126,204.46 | 1,979,418.52 |
| | PCC | 244+07.60 | 1,126,379.95 | 1,979,086.47 |
| | PI | 245+08.07 | 1,126,426.89 | 1,978,997.64 |
| PT | 246+07.60 | 1,126,493.27 | 1,978,922.23 | |
| POT | 256+57.06 | 1,127,186.69 | 1,978,134.49 | |

| CONTROL POINTS | | | | |
|----------------|------|------------|--------------|--------------|
| | TYPE | STA | NORTHING | EASTING |
| FA408 (I-172) | POT | 999+99.80 | 1,128,148.90 | 1,977,007.51 |
| | PC | 1025+95.19 | 1,126,395.41 | 1,978,920.97 |
| | PI | 1034+71.66 | 1,125,803.25 | 1,979,567.15 |
| | PT | 1043+34.65 | 1,125,431.35 | 1,980,360.81 |
| | POT | 1060+00.00 | 1,124,724.71 | 1,981,868.80 |

| CONTROL POINTS | | | | |
|----------------|------|----------|--------------|--------------|
| | TYPE | STA | NORTHING | EASTING |
| 332nd Ave. | POT | 42+37.15 | 1,123,761.17 | 1,976,761.09 |
| | POT | 50+00.00 | 1,123,527.70 | 1,977,487.33 |
| | POT | 64+15.04 | 1,123,094.61 | 1,978,834.46 |

HORIZONTAL CONTROL TIES

| POINT# | STATION | OFFSET | NORTHING | EASTING | ELEVATION | DESCRIPTION |
|--------|------------------|----------|-------------|-------------|-----------|-------------------|
| 10001 | 224+09.16 RAMP B | 31.96 LT | 1127010.211 | 1978673.912 | 484.38 | GPS CONTROL POINT |
| 10002 | 230+99.85 RAMP B | 35.33 LT | 1127132.031 | 1979356.441 | 474.03 | GPS CONTROL POINT |
| 10021 | 210+00.32 RAMP B | 13.72 RT | 1125761.707 | 1978109.146 | 468.55 | GPS CONTROL POINT |

MODEL D:\64611... FILE NAME: D072985-rt-ct-1B.dgn

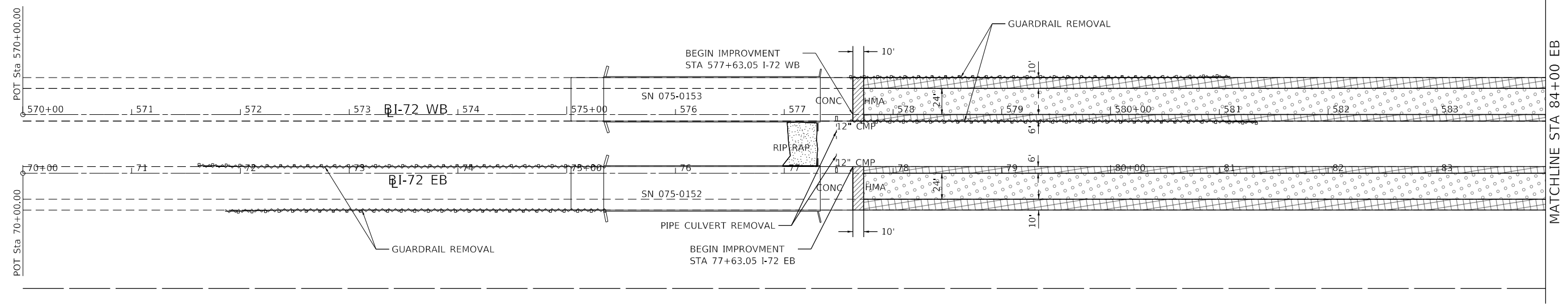
| | | |
|------------------------------------|------------|-----------|
| USER NAME = bemery | DESIGNED - | REVISED - |
| | DRAWN - | REVISED - |
| PLOT SCALE = 200.0000' / in. | CHECKED - | REVISED - |
| PLOT DATE = 7/25/2018 - 1:58:59 PM | DATE - | REVISED - |

**STATE OF ILLINOIS
DEPARTMENT OF TRANSPORTATION**

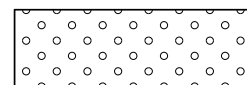
**ALIGNMENT 332nd AVE.
TIES & CONTROL POINTS**

SCALE: 1" = 100' SHEET OF SHEETS STA. TO STA.

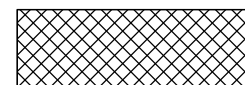
| F.A.I. RTE. | SECTION | COUNTY | TOTAL SHEETS | SHEET NO. |
|---------------------------|------------------|--------|--------------|-----------|
| 72 | (75-1-1)RS-2,BRR | PIKE | 82 | 23 |
| CONTRACT NO. 72J98 | | | | |
| ILLINOIS FED. AID PROJECT | | | | |



REMOVAL LEGEND



3 1/4" SURFACE REMOVAL



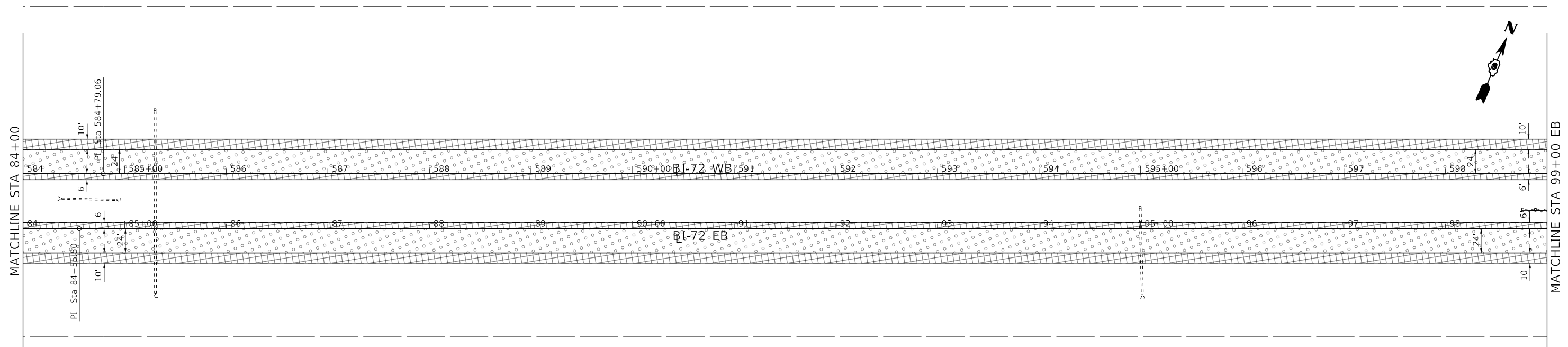
1 1/2" SURFACE REMOVAL



HOT-MIX ASPHALT SURFACE REMOVAL - BUTT JOINT



GUARDRAIL REMOVAL



MODEL Default
FILE Name: D:\72\98-ct-removal.dgn

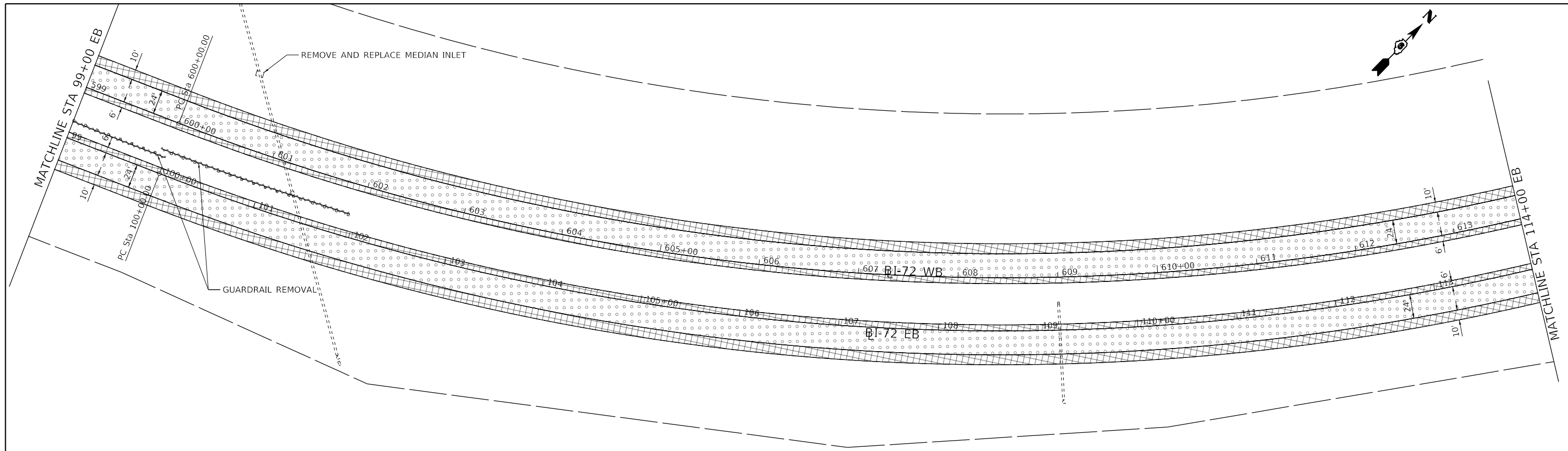
| | | |
|------------------------------------|------------|-----------|
| USER NAME = bemery | DESIGNED - | REVISED - |
| | DRAWN - | REVISED - |
| PLOT SCALE = 100,0000' / in. | CHECKED - | REVISED - |
| PLOT DATE = 7/25/2018 - 1:59:54 PM | DATE - | REVISED - |

**STATE OF ILLINOIS
DEPARTMENT OF TRANSPORTATION**

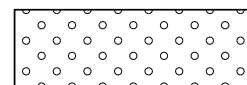
**REMOVAL PLAN
I-72**

SCALE: 1" = 50' SHEET OF SHEETS STA. 70+00,00 TO STA. 99+00,00

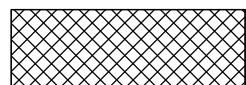
| F.A.I. RTE. | SECTION | COUNTY | TOTAL SHEETS | SHEET NO. |
|---------------------------|------------------|--------|--------------|-----------|
| 72 | (75-1-1)RS-2,BRR | PIKE | 82 | 24 |
| CONTRACT NO. 72J98 | | | | |
| ILLINOIS FED. AID PROJECT | | | | |



REMOVAL LEGEND



3 1/4" SURFACE REMOVAL



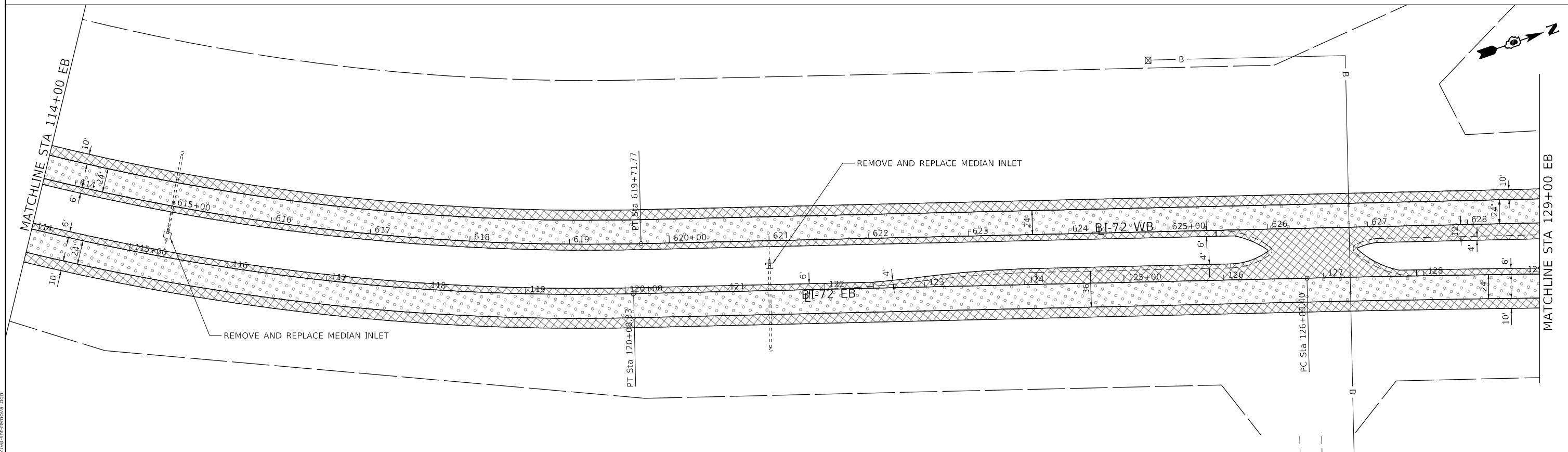
1 1/2" SURFACE REMOVAL



HOT-MIX ASPHALT SURFACE
REMOVAL - BUTT JOINT



GUARDRAIL REMOVAL



**STATE OF ILLINOIS
DEPARTMENT OF TRANSPORTATION**

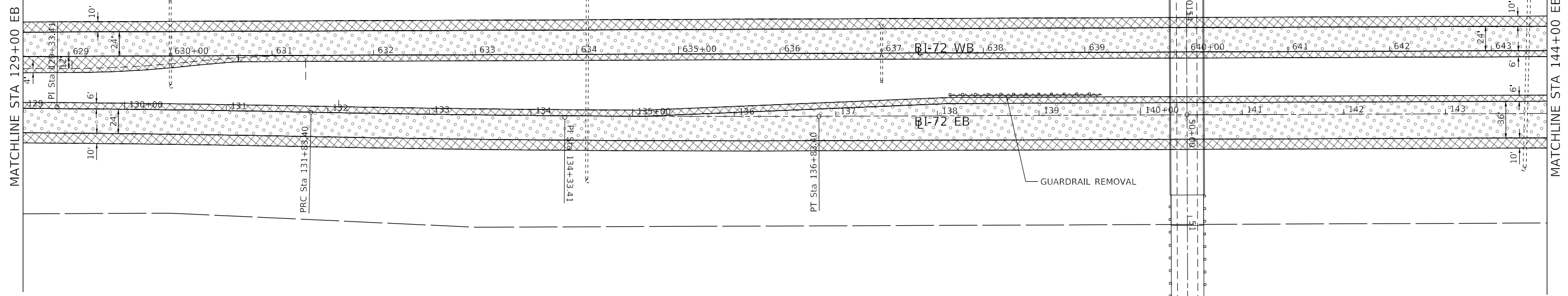
**REMOVAL PLAN
I-72**

SCALE: 1" = 50' SHEET OF SHEETS STA. 99+00.00 TO STA. 129+00.00

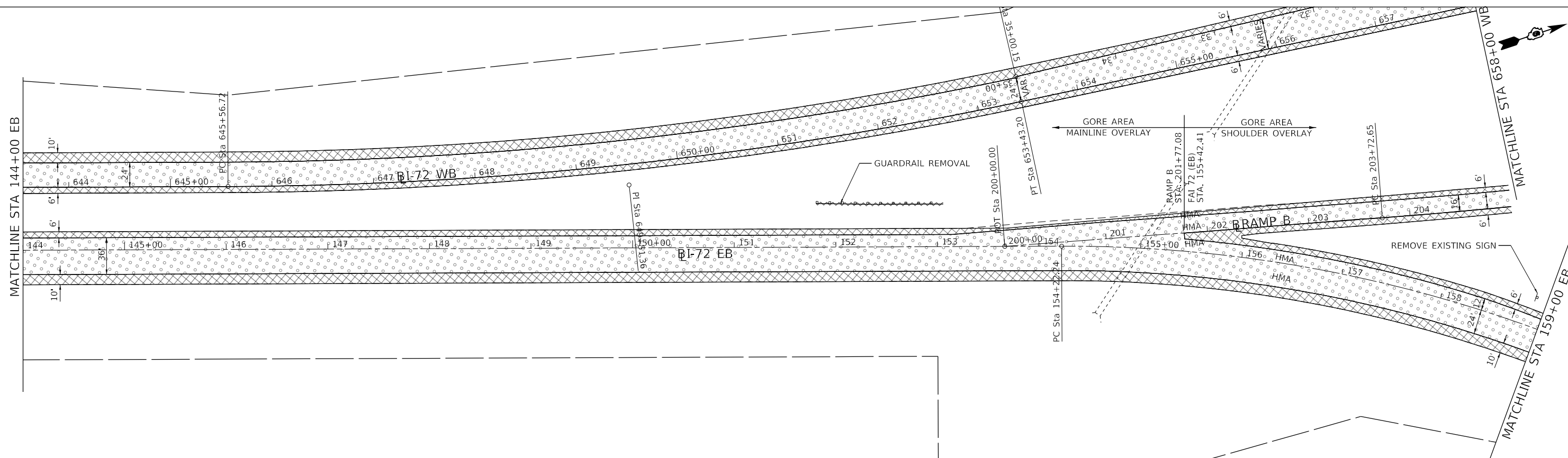
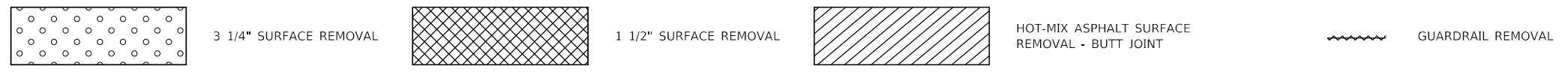
| | | |
|------------------------------------|------------|-----------|
| USER NAME = bemyr | DESIGNED - | REVISED - |
| PLOT SCALE = 100,0000' / in. | DRAWN - | REVISED - |
| PLOT DATE = 7/25/2018 - 1:59:56 PM | CHECKED - | REVISED - |
| | DATE - | REVISED - |

| F.A.I. RTE. | SECTION | COUNTY | TOTAL SHEETS | SHEET NO. |
|---------------------------|------------------|--------|--------------|-----------|
| 72 | (75-1-1)RS-2,BRR | PIKE | 82 | 25 |
| CONTRACT NO. 72J98 | | | | |
| ILLINOIS FED. AID PROJECT | | | | |

MODEL: D:\p1\11\11-07-18\11-07-18-removal.dgn



REMOVAL LEGEND



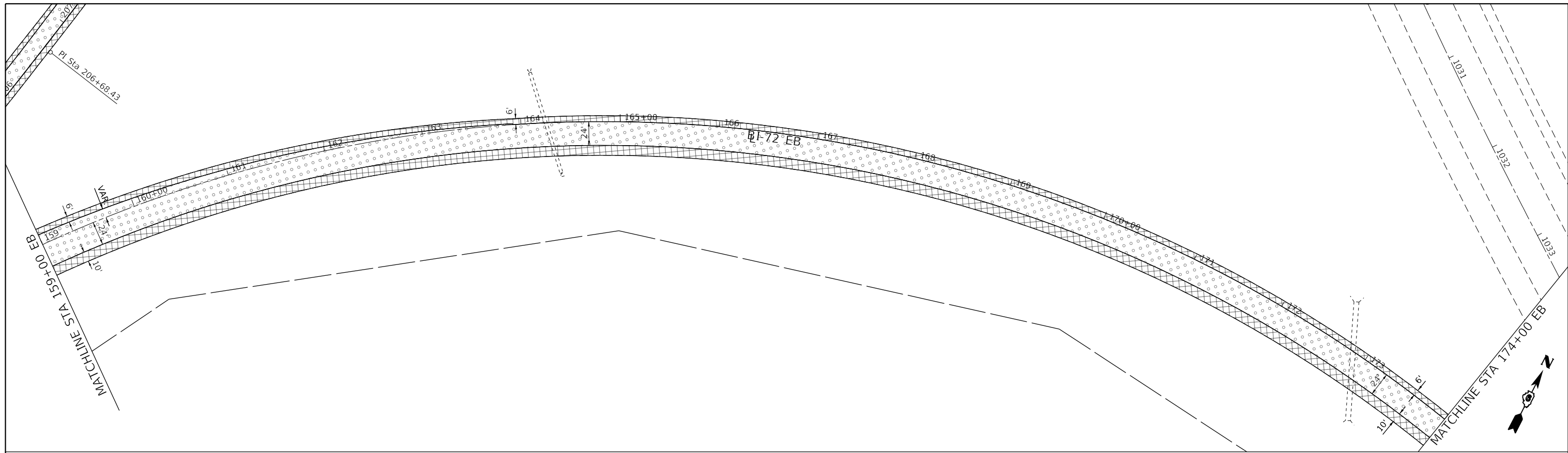
MODEL: Default
FILE: N:\MISC_0672\98-ct-removal.dgn

| | | |
|------------------------------------|------------|-----------|
| USER NAME = bemery | DESIGNED - | REVISED - |
| | DRAWN - | REVISED - |
| PLOT SCALE = 100.0000' / in. | CHECKED - | REVISED - |
| PLOT DATE = 7/25/2018 - 2:00:00 PM | DATE - | REVISED - |

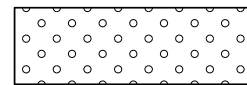
**STATE OF ILLINOIS
DEPARTMENT OF TRANSPORTATION**

| | |
|---------------------|--|
| REMOVAL PLAN | |
| I-72 EB | |
| SCALE: 1" = 50' | SHEET OF SHEETS STA. 129+00.00 TO STA. 159+00.00 |

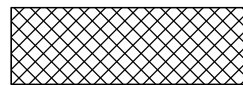
| F.A.I. RTE. | SECTION | COUNTY | TOTAL SHEETS | SHEET NO. |
|--------------------|------------------|------------------|--------------|-----------|
| 72 | (75-1-1)RS-2,BRR | PIKE | 82 | 26 |
| CONTRACT NO. 72J98 | | | | |
| ILLINOIS | | FED. AID PROJECT | | |



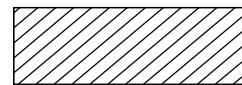
REMOVAL LEGEND



3 1/4" SURFACE REMOVAL



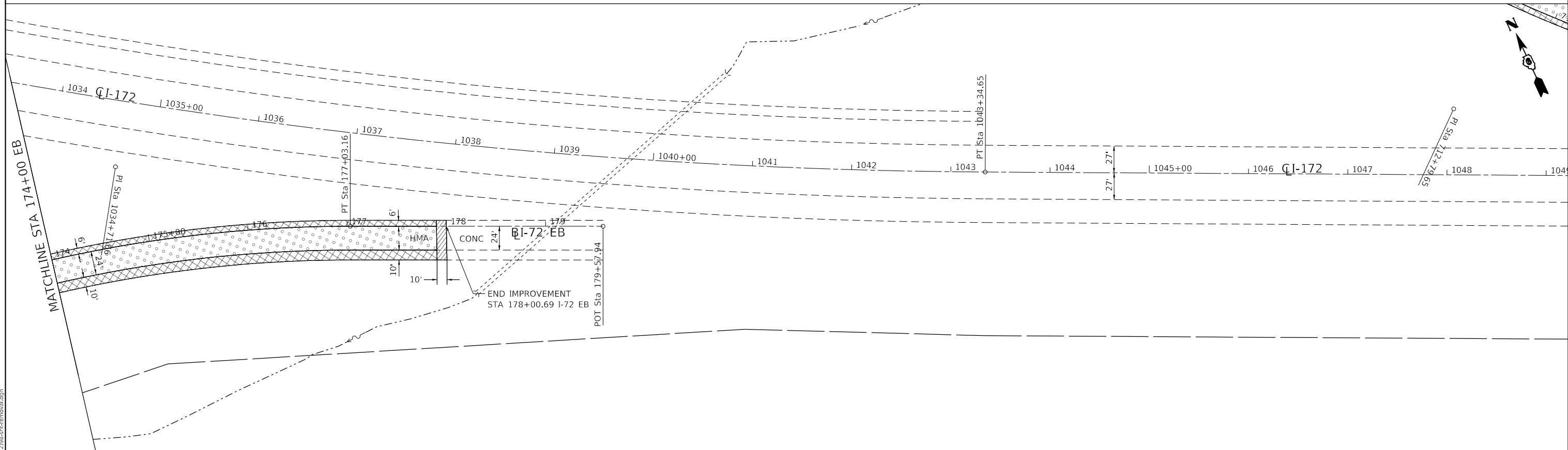
1 1/2" SURFACE REMOVAL



HOT-MIX ASPHALT SURFACE
REMOVAL - BUTT JOINT



GUARDRAIL REMOVAL



MODEL: D:\p1\11...
FILE: N:\m11\0272\98\chc-removal.dgn

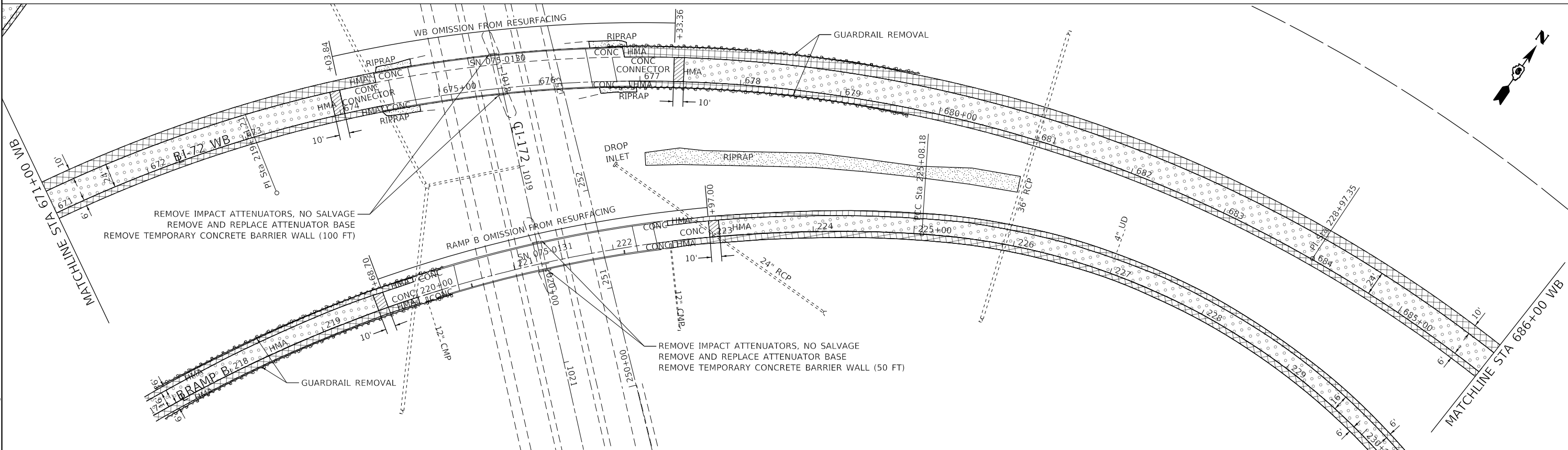
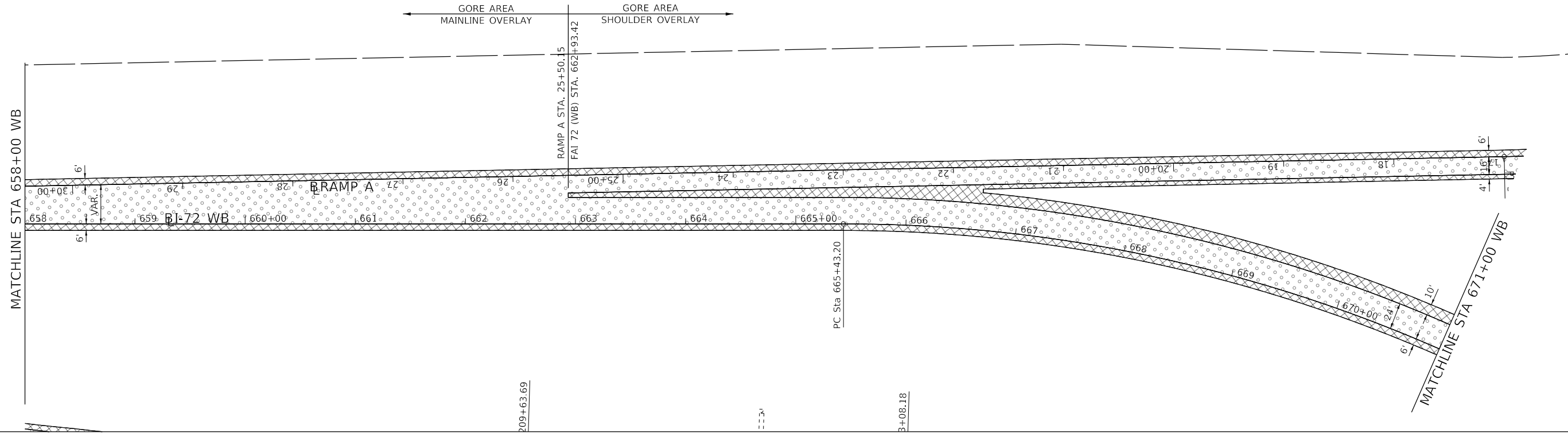
| | | |
|------------------------------------|------------|-----------|
| USER NAME = bemery | DESIGNED - | REVISED - |
| PLOT SCALE = 100.0000' / in. | DRAWN - | REVISED - |
| PLOT DATE = 7/25/2018 - 2:00:03 PM | CHECKED - | REVISED - |
| | DATE - | REVISED - |

**STATE OF ILLINOIS
DEPARTMENT OF TRANSPORTATION**

**REMOVAL PLAN
I-72 EB**

SCALE: 1" = 50' SHEET OF SHEETS STA. 159+00.00 TO STA. 179+57.94

| F.A.I. RTE. | SECTION | COUNTY | TOTAL SHEETS | SHEET NO. |
|--------------------|------------------|----------|------------------|-----------|
| 72 | (75-1-1)RS-2,BRR | PIKE | 82 | 27 |
| CONTRACT NO. 72J98 | | | | |
| | | ILLINOIS | FED. AID PROJECT | |



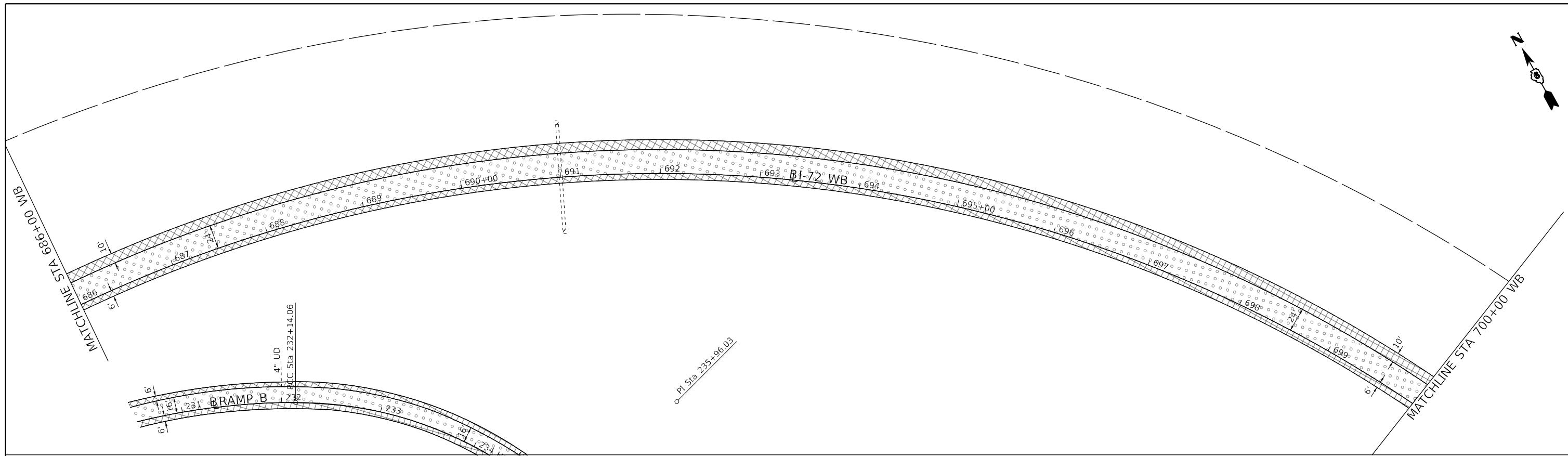
| | | |
|------------------------------------|------------|-----------|
| USER NAME = bemery | DESIGNED - | REVISED - |
| PLOT SCALE = 100,0000' / in. | DRAWN - | REVISED - |
| PLOT DATE = 7/25/2018 - 2:00:05 PM | CHECKED - | REVISED - |
| | DATE - | REVISED - |

**STATE OF ILLINOIS
DEPARTMENT OF TRANSPORTATION**

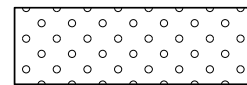
| | |
|---------------------------------|--|
| REMOVAL PLAN I-72 WB | |
| SCALE: 1" = 50' | SHEET OF SHEETS STA. 658+00.00 TO STA. 686+00.00 |

| | | | | |
|---------------------------|------------------|--------|--------------|-----------|
| F.A.I. RTE. | SECTION | COUNTY | TOTAL SHEETS | SHEET NO. |
| 72 | (75-1-1)RS-2,BRR | PIKE | 82 | 28 |
| CONTRACT NO. 72J98 | | | | |
| ILLINOIS FED. AID PROJECT | | | | |

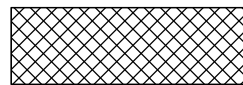
MODEL: Defaul
FILE: N:\MISC_0672\98-ct-removal.dgn



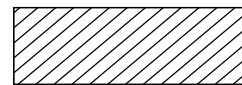
REMOVAL LEGEND



3 1/4" SURFACE REMOVAL



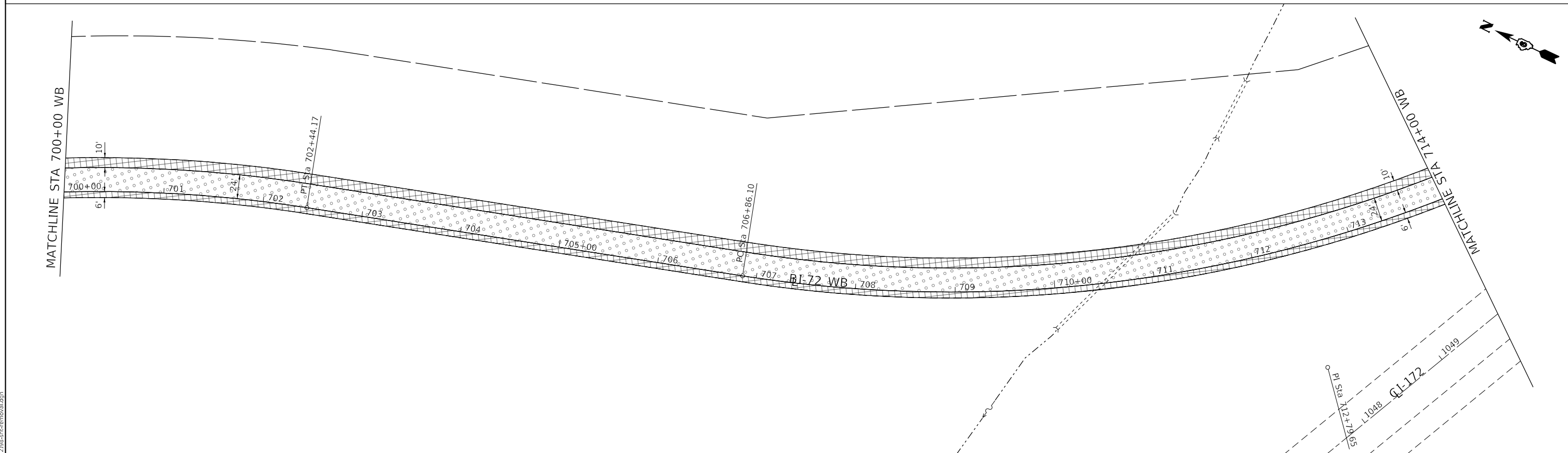
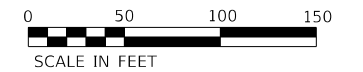
1 1/2" SURFACE REMOVAL



HOT-MIX ASPHALT SURFACE REMOVAL - BUTT JOINT



GUARDRAIL REMOVAL



MODEL: D:\dft\...
FILE NAME: 067298-ct-removal.dgn

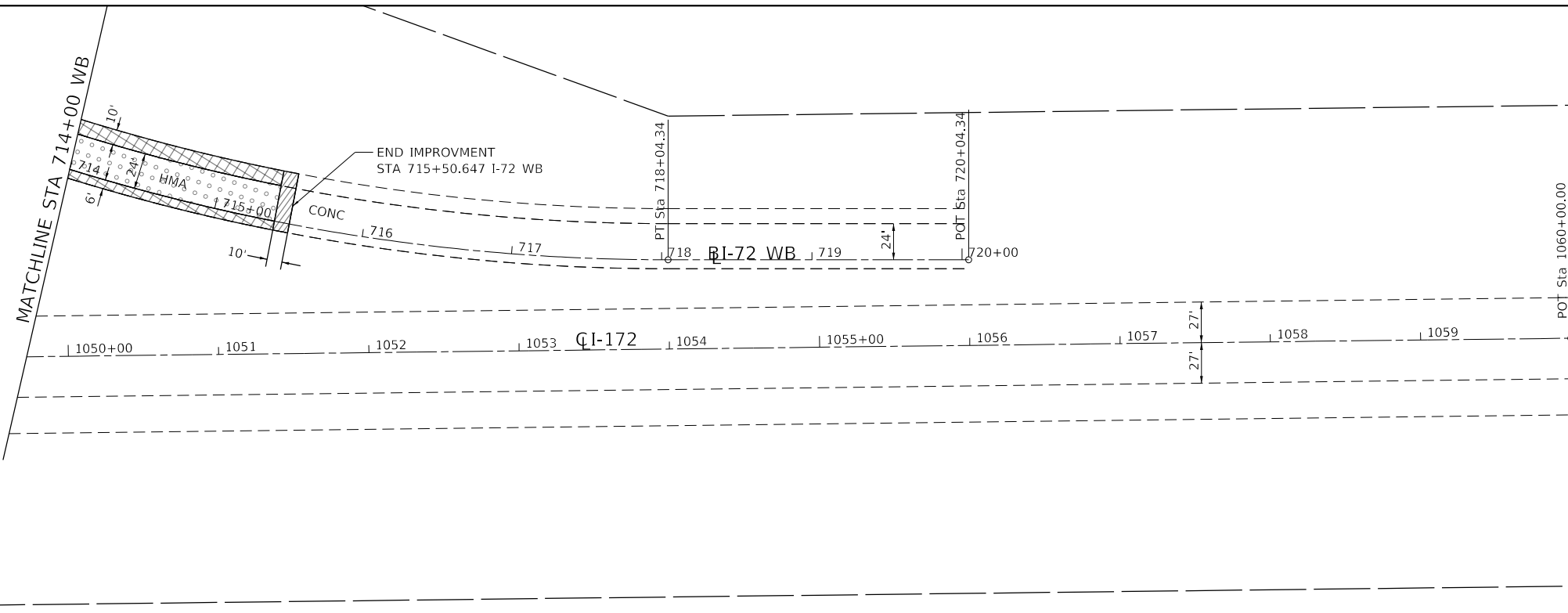
| | | |
|------------------------------------|------------|-----------|
| USER NAME = bemery | DESIGNED - | REVISED - |
| | DRAWN - | REVISED - |
| PLOT SCALE = 100.0000' / in. | CHECKED - | REVISED - |
| PLOT DATE = 7/25/2018 - 2:00:08 PM | DATE - | REVISED - |

**STATE OF ILLINOIS
DEPARTMENT OF TRANSPORTATION**

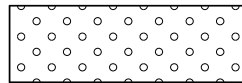
**REMOVAL PLAN
I-72 WB**

SCALE: 1" = 50' SHEET OF SHEETS STA. 686+00.00 TO STA. 714+00.00

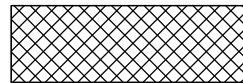
| F.A.I. RTE. | SECTION | COUNTY | TOTAL SHEETS | SHEET NO. |
|---------------------------|------------------|--------|--------------|-----------|
| 72 | (75-1-1)RS-2,BRR | PIKE | 82 | 29 |
| CONTRACT NO. 72J98 | | | | |
| ILLINOIS FED. AID PROJECT | | | | |



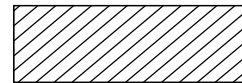
REMOVAL LEGEND



3 1/4" SURFACE REMOVAL



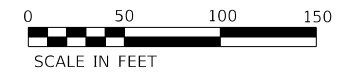
1 1/2" SURFACE REMOVAL



HOT-MIX ASPHALT SURFACE
REMOVAL - BUTT JOINT



GUARDRAIL REMOVAL



MODEL: Default
FILE NAME: 067298-ct-removal.dgn

| | | |
|------------------------------------|------------|-----------|
| USER NAME = bemery | DESIGNED - | REVISED - |
| | DRAWN - | REVISED - |
| PLOT SCALE = 100.0000 ' / in. | CHECKED - | REVISED - |
| PLOT DATE = 7/25/2018 - 2:00:10 PM | DATE - | REVISED - |

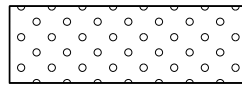
**STATE OF ILLINOIS
DEPARTMENT OF TRANSPORTATION**

**REMOVAL PLAN
I-72 WB**

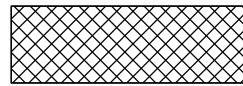
SCALE: 1" = 50' SHEET OF SHEETS STA. 714+00.00 TO STA. 720+04.34

| F.A.I. RTE. | SECTION | COUNTY | TOTAL SHEETS | SHEET NO. |
|--------------------|------------------|--------|---------------------------|-----------|
| 72 | (75-1-1)RS-2,BRR | PIKE | 82 | 30 |
| CONTRACT NO. 72J98 | | | ILLINOIS FED. AID PROJECT | |

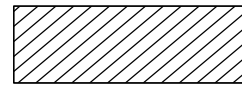
REMOVAL LEGEND



3 1/4" SURFACE REMOVAL



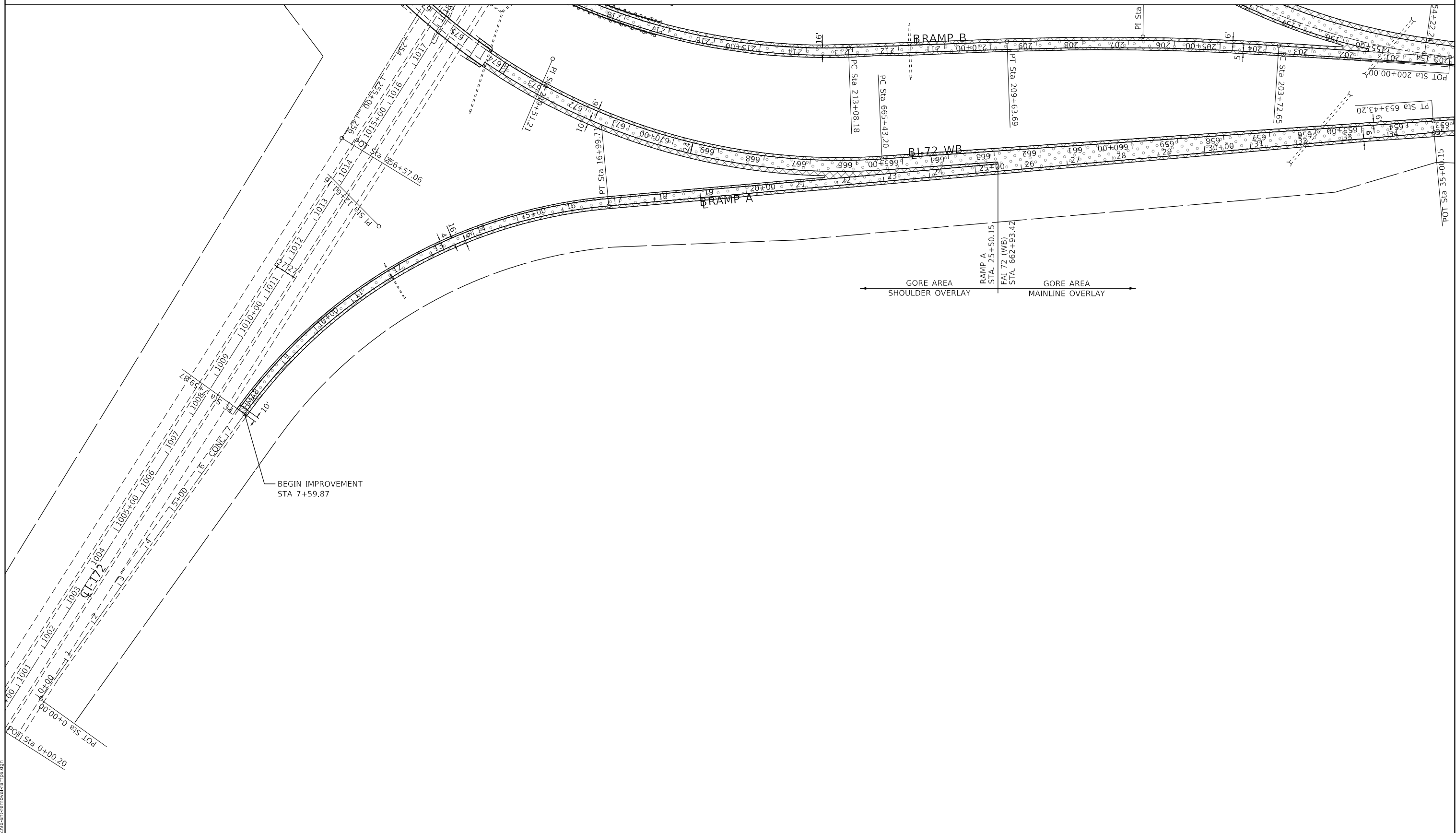
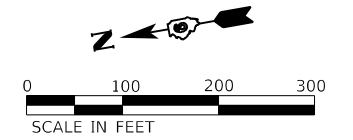
1 1/2" SURFACE REMOVAL



HOT-MIX ASPHALT SURFACE
REMOVAL - BUTT JOINT



GUARDRAIL REMOVAL



MODEL: D:\dft\...
FILE NAME: 0672198-ct-removal-ramp-a.dgn

| | | |
|------------------------------------|------------|-----------|
| USER NAME = bemery | DESIGNED - | REVISED - |
| | DRAWN - | REVISED - |
| PLOT SCALE = 200.0000' / in. | CHECKED - | REVISED - |
| PLOT DATE = 7/25/2018 - 2:00:39 PM | DATE - | REVISED - |

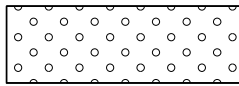
**STATE OF ILLINOIS
DEPARTMENT OF TRANSPORTATION**

**REMOVAL PLAN
RAMP A**

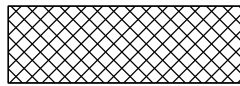
SCALE: 1" = 100' SHEET OF SHEETS STA. 0+00.00 TO STA. 35+00.15

| F.A.I. RTE. | SECTION | COUNTY | TOTAL SHEETS | SHEET NO. |
|---------------------------|------------------|--------|--------------|-----------|
| 72 | (75-1-1)RS-2,BRR | PIKE | 82 | 31 |
| CONTRACT NO. 72J98 | | | | |
| ILLINOIS FED. AID PROJECT | | | | |

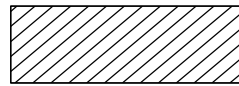
REMOVAL LEGEND



3 1/4" SURFACE REMOVAL



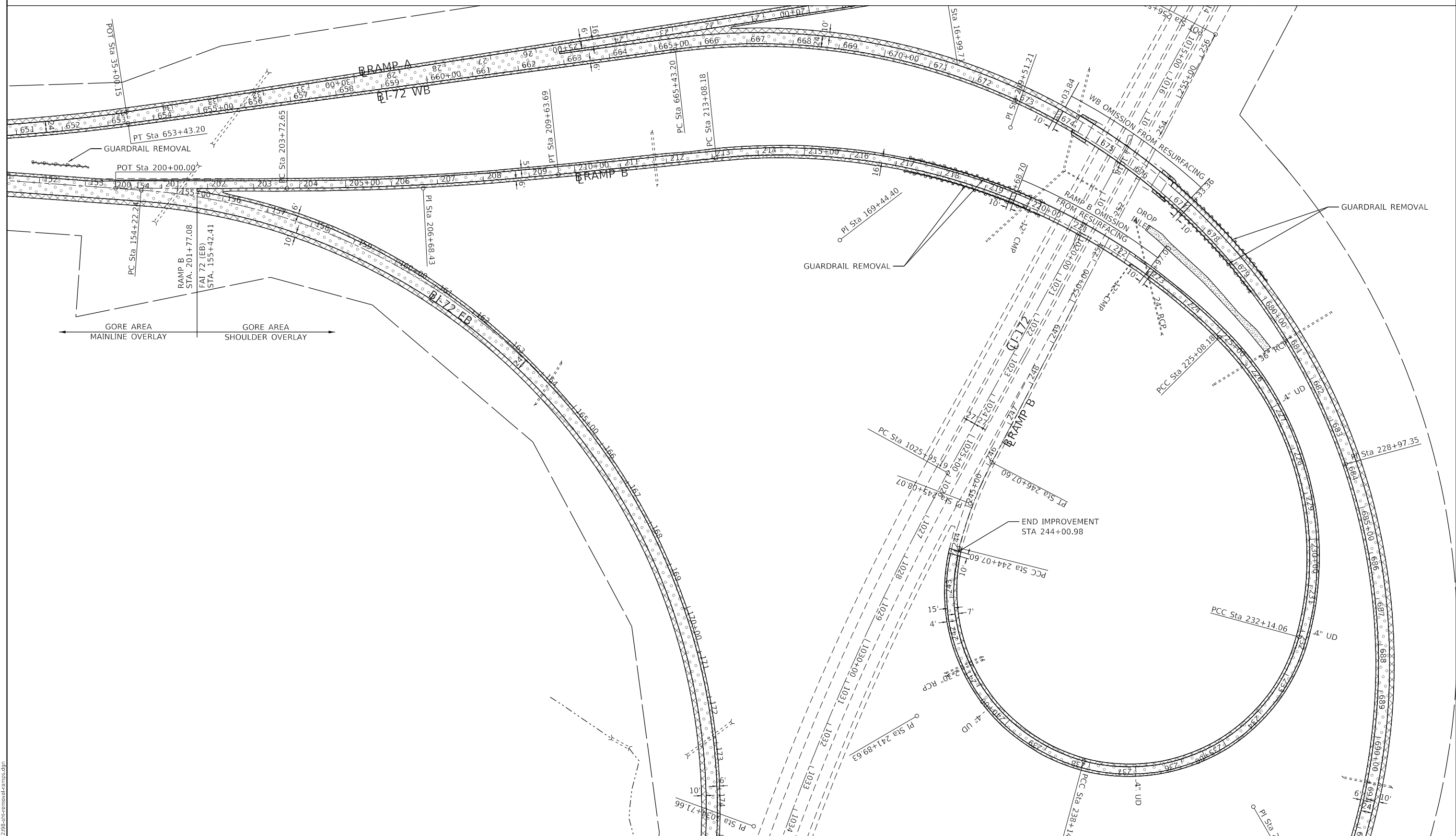
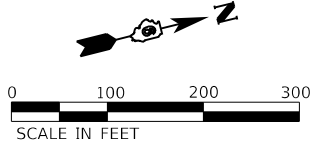
1 1/2" SURFACE REMOVAL



HOT-MIX ASPHALT SURFACE REMOVAL - BUTT JOINT



GUARDRAIL REMOVAL



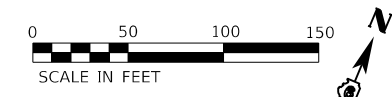
MODEL: D:\dms\11...
 FILE: Mainline_06727988.rvt-renewal-ramps.dwg

| | | |
|------------------------------------|------------|-----------|
| USER NAME = bemery | DESIGNED - | REVISED - |
| | DRAWN - | REVISED - |
| PLOT SCALE = 200,0000' / in. | CHECKED - | REVISED - |
| PLOT DATE = 7/25/2018 - 2:00:41 PM | DATE - | REVISED - |

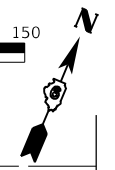
**STATE OF ILLINOIS
DEPARTMENT OF TRANSPORTATION**

| | | |
|--------------------------------|-----------------|----------------------------------|
| REMOVAL PLAN RAMP B | | |
| SCALE: 1" = 100' | SHEET OF SHEETS | STA. 200+00.00 TO STA. 256+57.06 |

| F.A.I. RTE. | SECTION | COUNTY | TOTAL SHEETS | SHEET NO. |
|--------------------|------------------|--------|--------------|-----------|
| 72 | (75-1-1)RS-2,BRR | PIKE | 82 | 32 |
| CONTRACT NO. 72J98 | | | | |
| ILLINOIS | FED. AID PROJECT | | | |

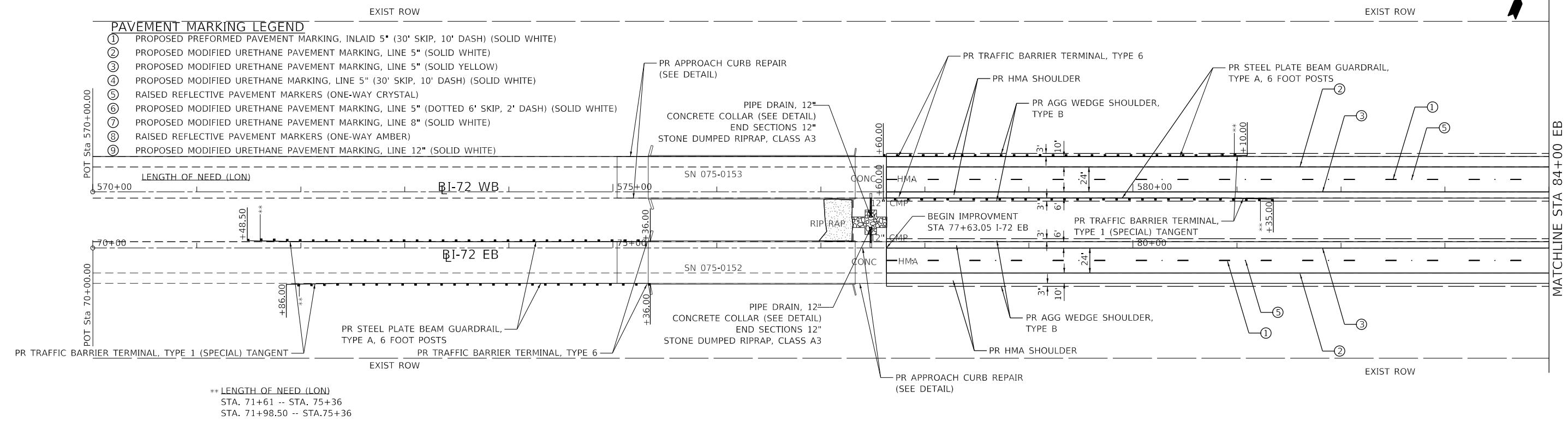


**LENGTH OF NEED (LON)
 STA. 577+60 -- STA. 580+97.5
 STA. 577+60 -- STA. 581+22.5

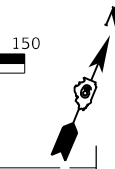
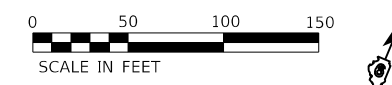


PAVEMENT MARKING LEGEND

- ① PROPOSED PREFORMED PAVEMENT MARKING, INLAID 5" (30' SKIP, 10' DASH) (SOLID WHITE)
- ② PROPOSED MODIFIED URETHANE PAVEMENT MARKING, LINE 5" (SOLID WHITE)
- ③ PROPOSED MODIFIED URETHANE PAVEMENT MARKING, LINE 5" (SOLID YELLOW)
- ④ PROPOSED MODIFIED URETHANE MARKING, LINE 5" (30' SKIP, 10' DASH) (SOLID WHITE)
- ⑤ RAISED REFLECTIVE PAVEMENT MARKERS (ONE-WAY CRYSTAL)
- ⑥ PROPOSED MODIFIED URETHANE PAVEMENT MARKING, LINE 5" (DOTTED 6' SKIP, 2' DASH) (SOLID WHITE)
- ⑦ PROPOSED MODIFIED URETHANE PAVEMENT MARKING, LINE 8" (SOLID WHITE)
- ⑧ RAISED REFLECTIVE PAVEMENT MARKERS (ONE-WAY AMBER)
- ⑨ PROPOSED MODIFIED URETHANE PAVEMENT MARKING, LINE 12" (SOLID WHITE)

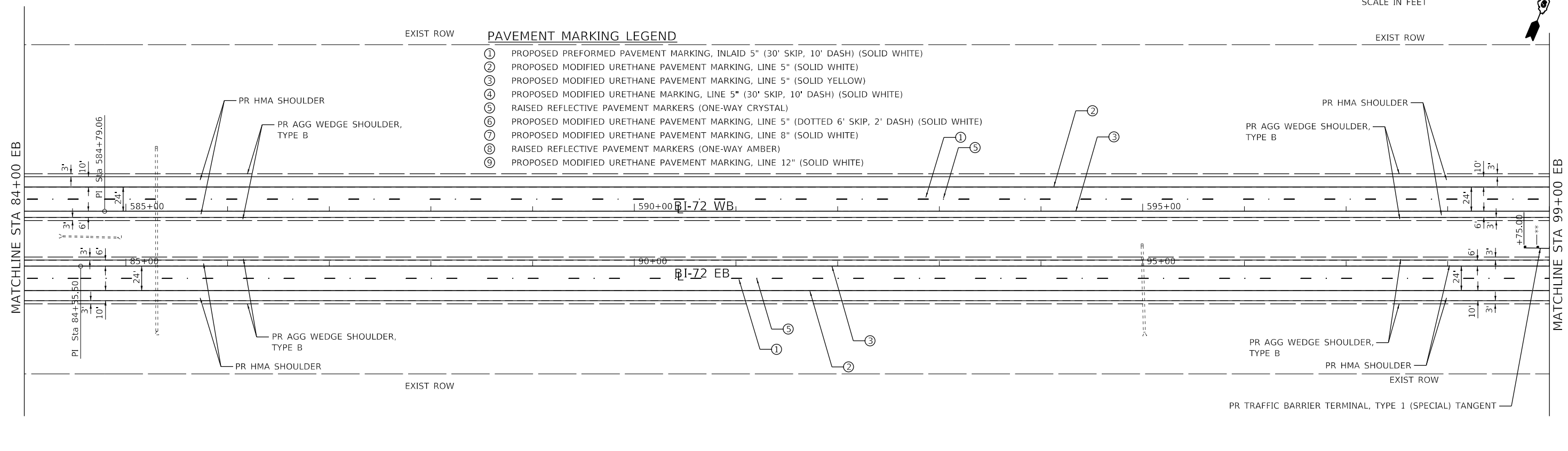


** LENGTH OF NEED (LON)
 STA. 71+61 -- STA. 75+36
 STA. 71+98.50 -- STA.75+36



PAVEMENT MARKING LEGEND

- ① PROPOSED PREFORMED PAVEMENT MARKING, INLAID 5" (30' SKIP, 10' DASH) (SOLID WHITE)
- ② PROPOSED MODIFIED URETHANE PAVEMENT MARKING, LINE 5" (SOLID WHITE)
- ③ PROPOSED MODIFIED URETHANE PAVEMENT MARKING, LINE 5" (SOLID YELLOW)
- ④ PROPOSED MODIFIED URETHANE MARKING, LINE 5" (30' SKIP, 10' DASH) (SOLID WHITE)
- ⑤ RAISED REFLECTIVE PAVEMENT MARKERS (ONE-WAY CRYSTAL)
- ⑥ PROPOSED MODIFIED URETHANE PAVEMENT MARKING, LINE 5" (DOTTED 6' SKIP, 2' DASH) (SOLID WHITE)
- ⑦ PROPOSED MODIFIED URETHANE PAVEMENT MARKING, LINE 8" (SOLID WHITE)
- ⑧ RAISED REFLECTIVE PAVEMENT MARKERS (ONE-WAY AMBER)
- ⑨ PROPOSED MODIFIED URETHANE PAVEMENT MARKING, LINE 12" (SOLID WHITE)



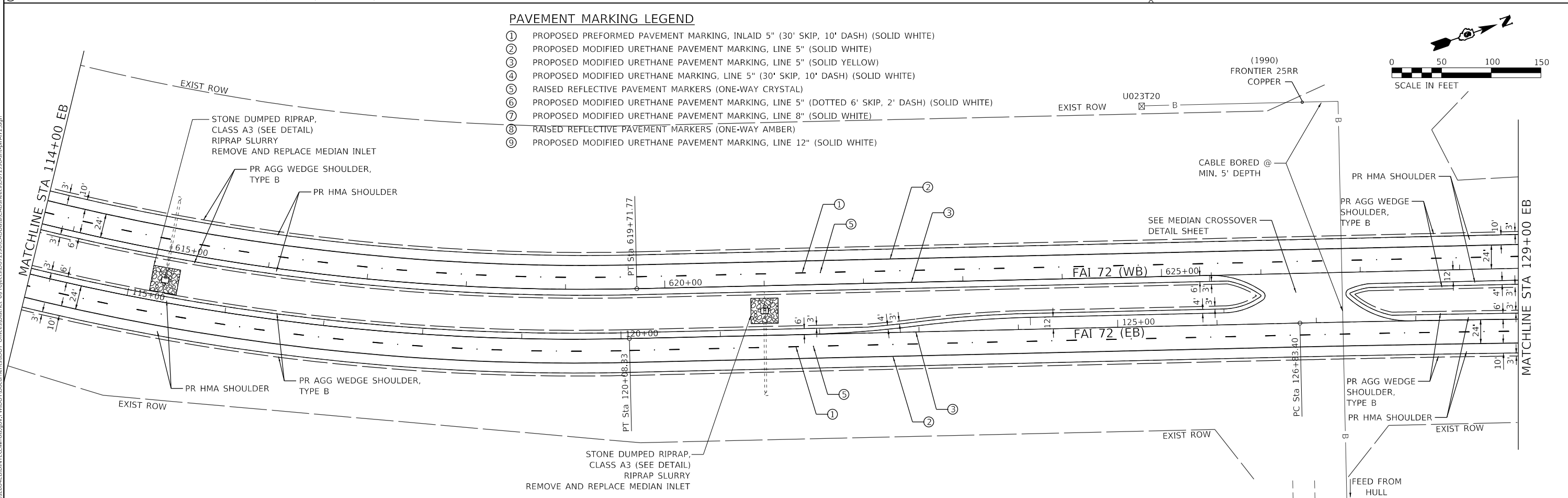
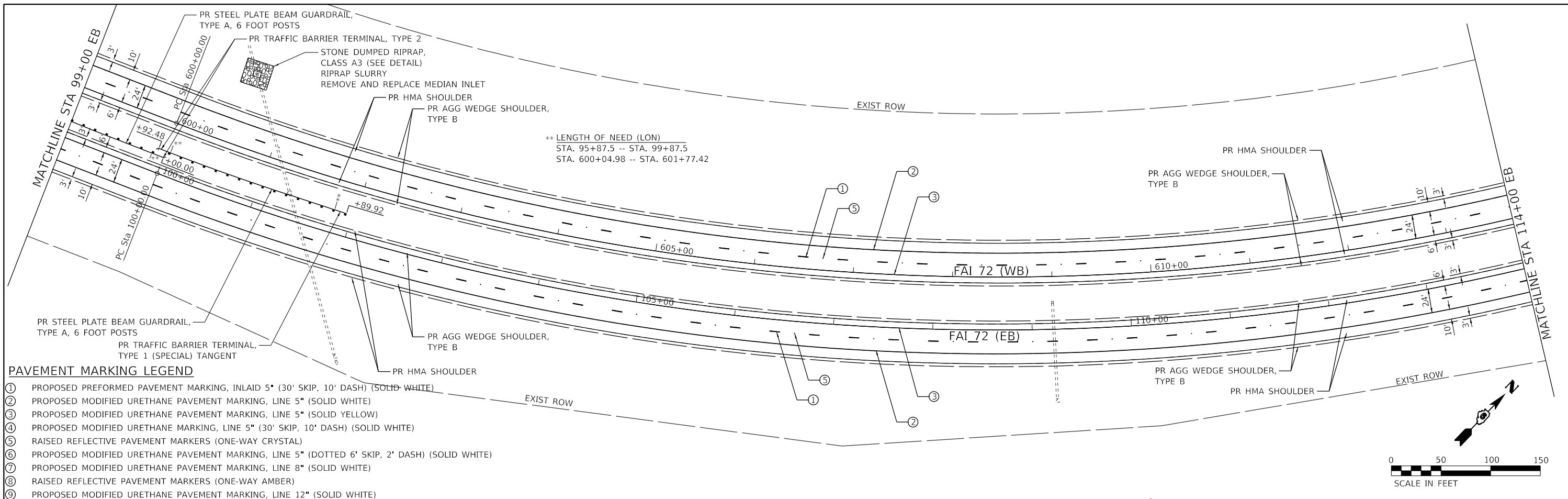
MODEL: Default
 FILE NAME: p:\w\1084EB\BID\TEG\illinois\pwr\FWIDOT\Documents\DOT_Offices\District_6\Projects\667298\CADD\Draws\CAD\Sheets\667298-818-cpl-r72.dgn

| | | |
|------------------------------|------------|-----------|
| USER NAME = RotherTM | DESIGNED - | REVISED - |
| | DRAWN - | REVISED - |
| PLOT SCALE = 100.7149' / In. | CHECKED - | REVISED - |
| PLOT DATE = 9/20/2018 | DATE - | REVISED - |

**STATE OF ILLINOIS
 DEPARTMENT OF TRANSPORTATION**

| | | |
|---------------------------------------|-----------------|--------------------------|
| PLAN SHEET | | |
| I-72 RESURFACING (WB & EB) | | |
| SCALE: 1" = 50' | SHEET OF SHEETS | STA. 70+00 TO STA. 99+00 |

| | | | | |
|---------------------------|--------------------------|-------------|-----------------|--------------|
| F.A.I. RTE. 72 | SECTION (75-1-1)RS-2,BRR | COUNTY PIKE | TOTAL SHEETS 82 | SHEET NO. 33 |
| CONTRACT NO. 72J98 | | | | |
| ILLINOIS FED. AID PROJECT | | | | |



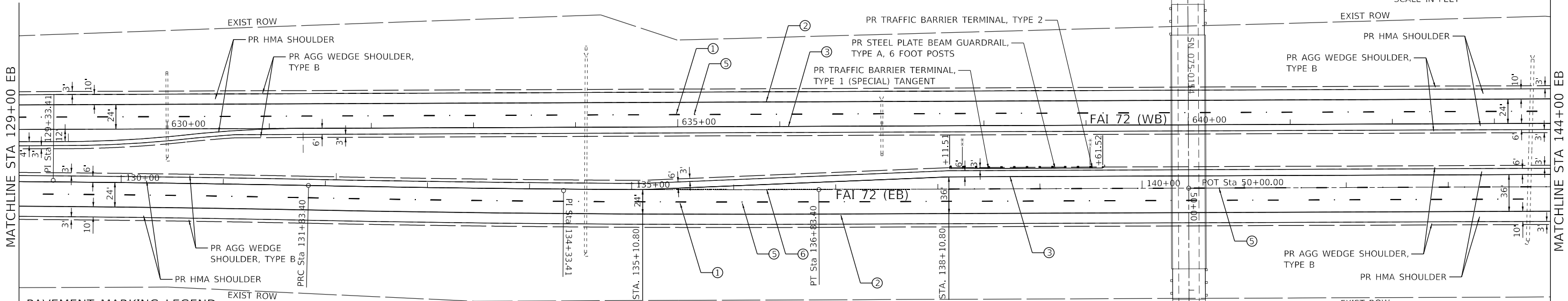
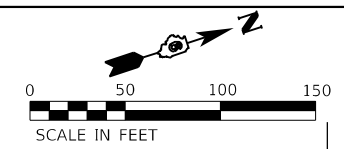
MODEL: Default
 FILE NAME: p:\V\08\EB\INTEG\Illinois\p\1100\Documents\DOT - Offices\District 6\Projects\672\98\CADD\DATA\CADD\sheet\672\98\EB\plan\72.dgn

| | | |
|------------------------------|------------|-----------|
| USER NAME = RoherTM | DESIGNED - | REVISED - |
| PLOT SCALE = 101.0653' / in. | DRAWN - | REVISED - |
| PLOT DATE = 9/20/2018 | CHECKED - | REVISED - |
| | DATE - | REVISED - |

STATE OF ILLINOIS
DEPARTMENT OF TRANSPORTATION

| | | | |
|---------------------------------------|-------|-----------|---------------------------|
| PLAN SHEET | | | |
| I-72 RESURFACING (EB & WB) | | | |
| SCALE: 1" = 50' | SHEET | OF SHEETS | STA. 99+00 TO STA. 129+00 |

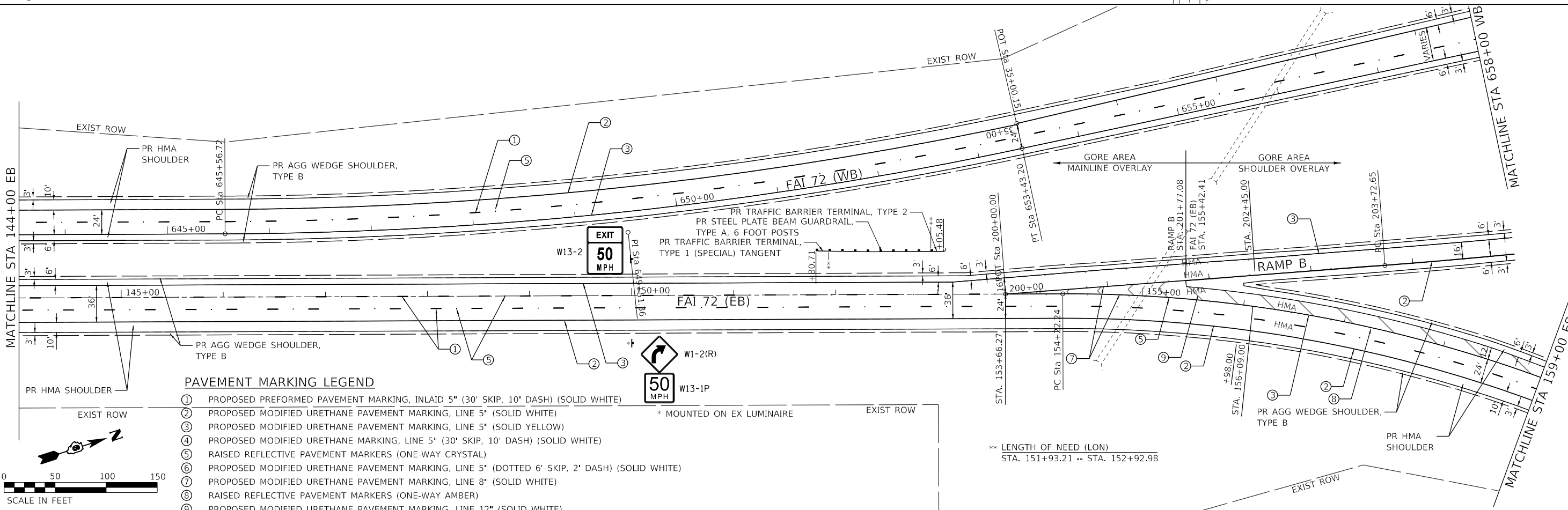
| | | | | |
|---------------------------|--------------------------|-------------|-----------------|--------------|
| F.A.I. RTE. 72 | SECTION (75-1-1)RS-2,BRR | COUNTY PIKE | TOTAL SHEETS 82 | SHEET NO. 34 |
| CONTRACT NO. 72J98 | | | | |
| ILLINOIS FED. AID PROJECT | | | | |



PAVEMENT MARKING LEGEND

- ① PROPOSED PREFORMED PAVEMENT MARKING, INLAID 5" (30' SKIP, 10' DASH) (SOLID WHITE)
- ② PROPOSED MODIFIED URETHANE PAVEMENT MARKING, LINE 5" (SOLID WHITE)
- ③ PROPOSED MODIFIED URETHANE PAVEMENT MARKING, LINE 5" (SOLID YELLOW)
- ④ PROPOSED MODIFIED URETHANE MARKING, LINE 5" (30' SKIP, 10' DASH) (SOLID WHITE)
- ⑤ RAISED REFLECTIVE PAVEMENT MARKERS (ONE-WAY CRYSTAL)
- ⑥ PROPOSED MODIFIED URETHANE PAVEMENT MARKING, LINE 5" (DOTTED 6' SKIP, 2' DASH) (SOLID WHITE)
- ⑦ PROPOSED MODIFIED URETHANE PAVEMENT MARKING, LINE 8" (SOLID WHITE)
- ⑧ RAISED REFLECTIVE PAVEMENT MARKERS (ONE-WAY AMBER)
- ⑨ PROPOSED MODIFIED URETHANE PAVEMENT MARKING, LINE 12" (SOLID WHITE)

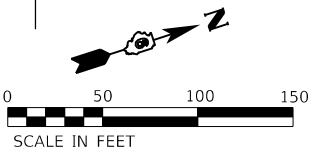
** LENGTH OF NEED (LON)
STA. 138+24.01 -- STA. 139+49.02



PAVEMENT MARKING LEGEND

- ① PROPOSED PREFORMED PAVEMENT MARKING, INLAID 5" (30' SKIP, 10' DASH) (SOLID WHITE)
- ② PROPOSED MODIFIED URETHANE PAVEMENT MARKING, LINE 5" (SOLID WHITE)
- ③ PROPOSED MODIFIED URETHANE PAVEMENT MARKING, LINE 5" (SOLID YELLOW)
- ④ PROPOSED MODIFIED URETHANE MARKING, LINE 5" (30' SKIP, 10' DASH) (SOLID WHITE)
- ⑤ RAISED REFLECTIVE PAVEMENT MARKERS (ONE-WAY CRYSTAL)
- ⑥ PROPOSED MODIFIED URETHANE PAVEMENT MARKING, LINE 5" (DOTTED 6' SKIP, 2' DASH) (SOLID WHITE)
- ⑦ PROPOSED MODIFIED URETHANE PAVEMENT MARKING, LINE 8" (SOLID WHITE)
- ⑧ RAISED REFLECTIVE PAVEMENT MARKERS (ONE-WAY AMBER)
- ⑨ PROPOSED MODIFIED URETHANE PAVEMENT MARKING, LINE 12" (SOLID WHITE)

** LENGTH OF NEED (LON)
STA. 151+93.21 -- STA. 152+92.98



MODEL: D:\p1\11\08\EBID\INTEG\Illinois\p1\11\08\EBID\Documents\DOT_Offices\District_6\Projects\0672\98\CADD\Drawings\0672\98-sht-pln-72.dgn
 FILE NAME: p1\11\08\EBID\INTEG\Illinois\p1\11\08\EBID\Documents\DOT_Offices\District_6\Projects\0672\98\CADD\Drawings\0672\98-sht-pln-72.dgn

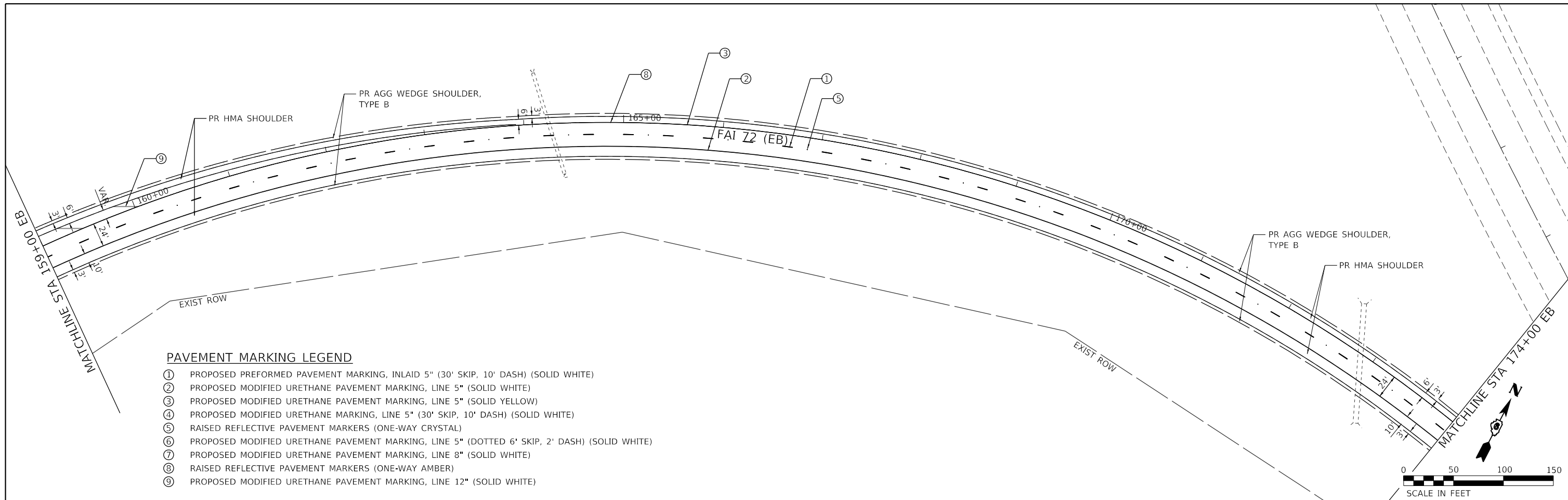
| | | |
|-------------------------------|------------|-----------|
| USER NAME = RotherTM | DESIGNED - | REVISED - |
| PLOT SCALE = 100.8835 ' / in. | DRAWN - | REVISED - |
| PLOT DATE = 9/20/2018 | CHECKED - | REVISED - |
| | DATE - | REVISED - |

**STATE OF ILLINOIS
DEPARTMENT OF TRANSPORTATION**

**PLAN SHEET
I-72 RESURFACING (EB & WB)**

SCALE: 1" = 50' SHEET OF SHEETS STA. 129+00 TO STA. 159+00

| | | | | |
|--------------------|--------------------------|-------------|-----------------|---------------------------|
| F.A.I. RTE. 72 | SECTION (75-1-1)RS-2,BRR | COUNTY PIKE | TOTAL SHEETS 82 | SHEET NO. 35 |
| CONTRACT NO. 72J98 | | | | ILLINOIS FED. AID PROJECT |

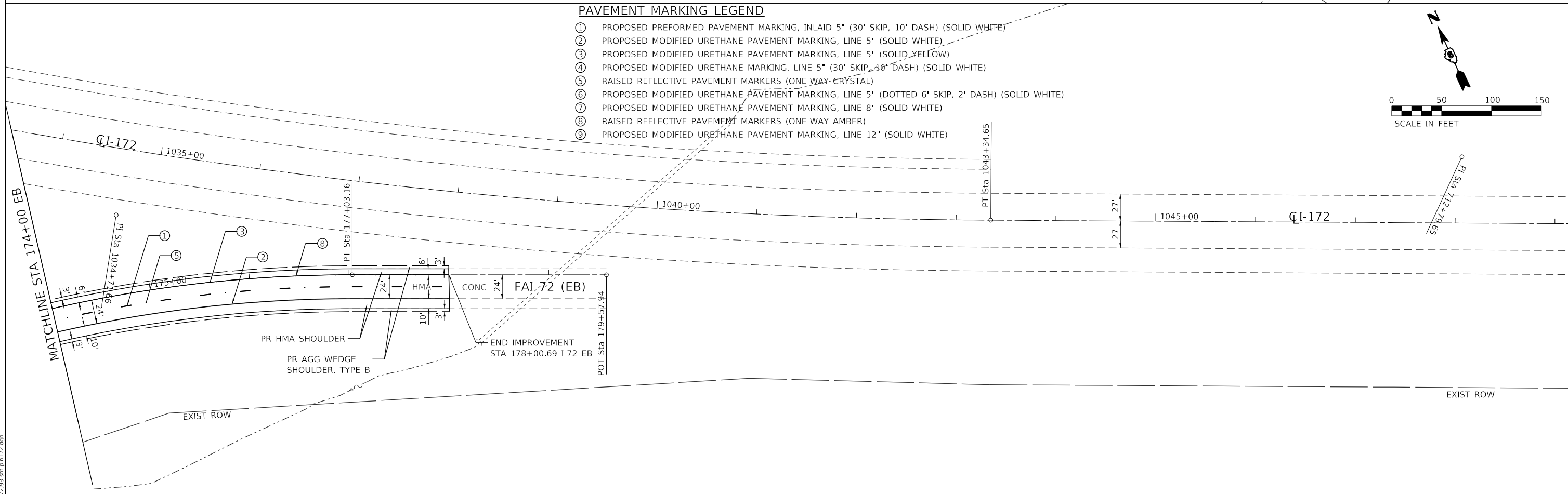


PAVEMENT MARKING LEGEND

- ① PROPOSED PREFORMED PAVEMENT MARKING, INLAID 5" (30' SKIP, 10' DASH) (SOLID WHITE)
- ② PROPOSED MODIFIED URETHANE PAVEMENT MARKING, LINE 5" (SOLID WHITE)
- ③ PROPOSED MODIFIED URETHANE PAVEMENT MARKING, LINE 5" (SOLID YELLOW)
- ④ PROPOSED MODIFIED URETHANE MARKING, LINE 5" (30' SKIP, 10' DASH) (SOLID WHITE)
- ⑤ RAISED REFLECTIVE PAVEMENT MARKERS (ONE-WAY CRYSTAL)
- ⑥ PROPOSED MODIFIED URETHANE PAVEMENT MARKING, LINE 5" (DOTTED 6' SKIP, 2' DASH) (SOLID WHITE)
- ⑦ PROPOSED MODIFIED URETHANE PAVEMENT MARKING, LINE 8" (SOLID WHITE)
- ⑧ RAISED REFLECTIVE PAVEMENT MARKERS (ONE-WAY AMBER)
- ⑨ PROPOSED MODIFIED URETHANE PAVEMENT MARKING, LINE 12" (SOLID WHITE)

PAVEMENT MARKING LEGEND

- ① PROPOSED PREFORMED PAVEMENT MARKING, INLAID 5" (30' SKIP, 10' DASH) (SOLID WHITE)
- ② PROPOSED MODIFIED URETHANE PAVEMENT MARKING, LINE 5" (SOLID WHITE)
- ③ PROPOSED MODIFIED URETHANE PAVEMENT MARKING, LINE 5" (SOLID YELLOW)
- ④ PROPOSED MODIFIED URETHANE MARKING, LINE 5" (30' SKIP, 10' DASH) (SOLID WHITE)
- ⑤ RAISED REFLECTIVE PAVEMENT MARKERS (ONE-WAY CRYSTAL)
- ⑥ PROPOSED MODIFIED URETHANE PAVEMENT MARKING, LINE 5" (DOTTED 6' SKIP, 2' DASH) (SOLID WHITE)
- ⑦ PROPOSED MODIFIED URETHANE PAVEMENT MARKING, LINE 8" (SOLID WHITE)
- ⑧ RAISED REFLECTIVE PAVEMENT MARKERS (ONE-WAY AMBER)
- ⑨ PROPOSED MODIFIED URETHANE PAVEMENT MARKING, LINE 12" (SOLID WHITE)



MODEL: Default
FILE: \\miller\p\030672\98-510-010-172.dgn

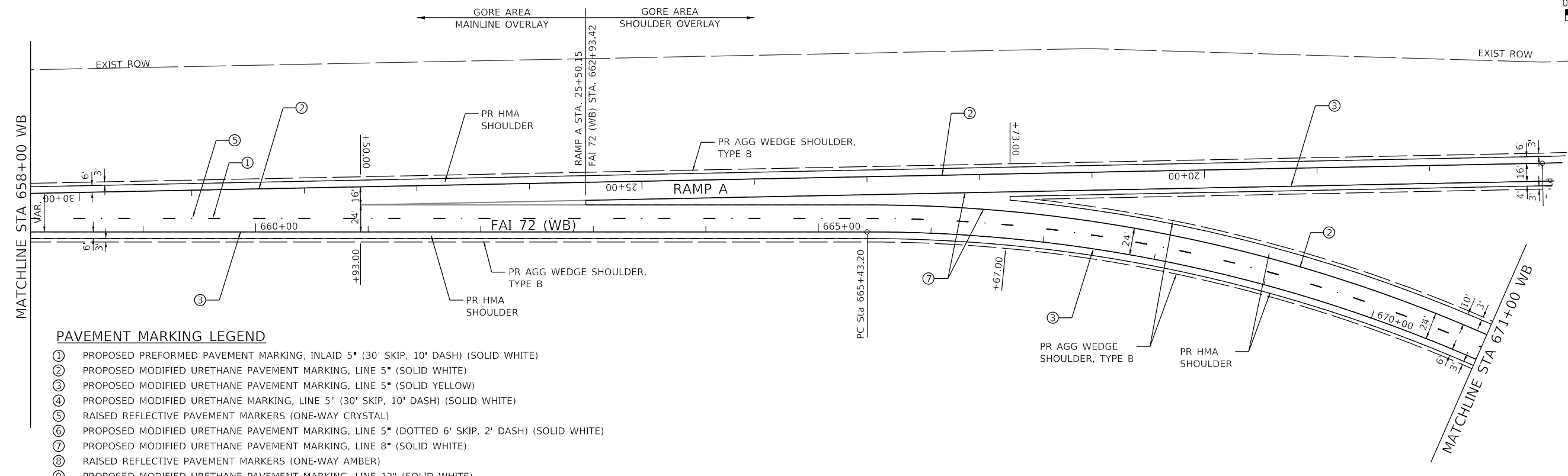
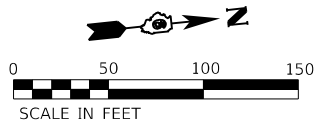
| | | |
|------------------------------------|------------|-----------|
| USER NAME = bemery | DESIGNED - | REVISED - |
| PLOT SCALE = 100.0000' / in. | DRAWN - | REVISED - |
| PLOT DATE = 7/25/2018 - 2:01:46 PM | CHECKED - | REVISED - |
| | DATE - | REVISED - |

**STATE OF ILLINOIS
DEPARTMENT OF TRANSPORTATION**

**PLAN SHEET
I-72 RESURFACING (EB)**

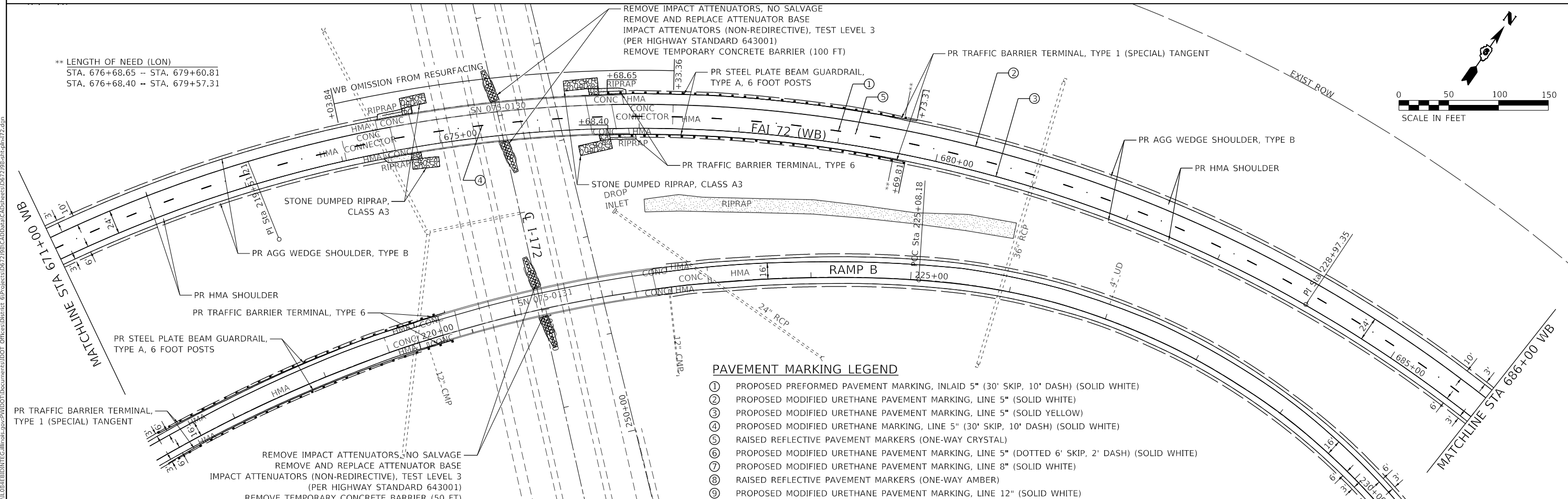
SCALE: 1" = 50' SHEET OF SHEETS STA. 159+00 TO STA. 179+00

| | | | | |
|---------------------------|------------------|--------|--------------|-----------|
| F.A.I. RTE. | SECTION | COUNTY | TOTAL SHEETS | SHEET NO. |
| 72 | (75-1-1)RS-2,BRR | PIKE | 82 | 36 |
| CONTRACT NO. 72J98 | | | | |
| ILLINOIS FED. AID PROJECT | | | | |



PAVEMENT MARKING LEGEND

- ① PROPOSED PREFORMED PAVEMENT MARKING, INLAID 5" (30' SKIP, 10' DASH) (SOLID WHITE)
- ② PROPOSED MODIFIED URETHANE PAVEMENT MARKING, LINE 5" (SOLID WHITE)
- ③ PROPOSED MODIFIED URETHANE PAVEMENT MARKING, LINE 5" (SOLID YELLOW)
- ④ PROPOSED MODIFIED URETHANE MARKING, LINE 5" (30' SKIP, 10' DASH) (SOLID WHITE)
- ⑤ RAISED REFLECTIVE PAVEMENT MARKERS (ONE-WAY CRYSTAL)
- ⑥ PROPOSED MODIFIED URETHANE PAVEMENT MARKING, LINE 5" (DOTTED 6' SKIP, 2' DASH) (SOLID WHITE)
- ⑦ PROPOSED MODIFIED URETHANE PAVEMENT MARKING, LINE 8" (SOLID WHITE)
- ⑧ RAISED REFLECTIVE PAVEMENT MARKERS (ONE-WAY AMBER)
- ⑨ PROPOSED MODIFIED URETHANE PAVEMENT MARKING, LINE 12" (SOLID WHITE)



PAVEMENT MARKING LEGEND

- ① PROPOSED PREFORMED PAVEMENT MARKING, INLAID 5" (30' SKIP, 10' DASH) (SOLID WHITE)
- ② PROPOSED MODIFIED URETHANE PAVEMENT MARKING, LINE 5" (SOLID WHITE)
- ③ PROPOSED MODIFIED URETHANE PAVEMENT MARKING, LINE 5" (SOLID YELLOW)
- ④ PROPOSED MODIFIED URETHANE MARKING, LINE 5" (30' SKIP, 10' DASH) (SOLID WHITE)
- ⑤ RAISED REFLECTIVE PAVEMENT MARKERS (ONE-WAY CRYSTAL)
- ⑥ PROPOSED MODIFIED URETHANE PAVEMENT MARKING, LINE 5" (DOTTED 6' SKIP, 2' DASH) (SOLID WHITE)
- ⑦ PROPOSED MODIFIED URETHANE PAVEMENT MARKING, LINE 8" (SOLID WHITE)
- ⑧ RAISED REFLECTIVE PAVEMENT MARKERS (ONE-WAY AMBER)
- ⑨ PROPOSED MODIFIED URETHANE PAVEMENT MARKING, LINE 12" (SOLID WHITE)

** LENGTH OF NEED (LON)
 STA. 676+68.65 -- STA. 679+60.81
 STA. 676+68.40 -- STA. 679+57.31

MODEL: D:\pvt\...
 FILE NAME: p:\1104\FBI\INTEG\illmas.pwr\PROJECTS\DOT\Documents\DOT\Office\District_6\Projects\6672\98\CADD\Drawings\6672\98-58-11-12.dgn

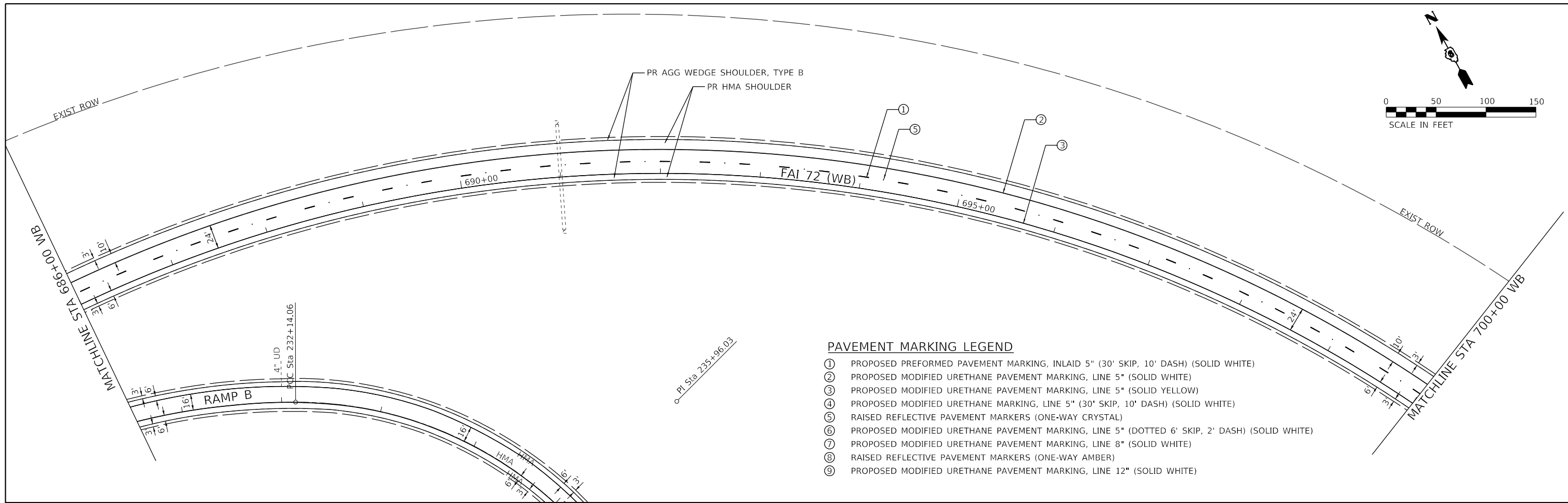
| | | |
|------------------------------|------------|-----------|
| USER NAME = RoherTM | DESIGNED - | REVISED - |
| PLOT SCALE = 101.0653' / in. | DRAWN - | REVISED - |
| PLOT DATE = 9/20/2018 | CHECKED - | REVISED - |
| | DATE - | REVISED - |

**STATE OF ILLINOIS
 DEPARTMENT OF TRANSPORTATION**

**PLAN SHEET
 I-72 REURFACING (WB)**

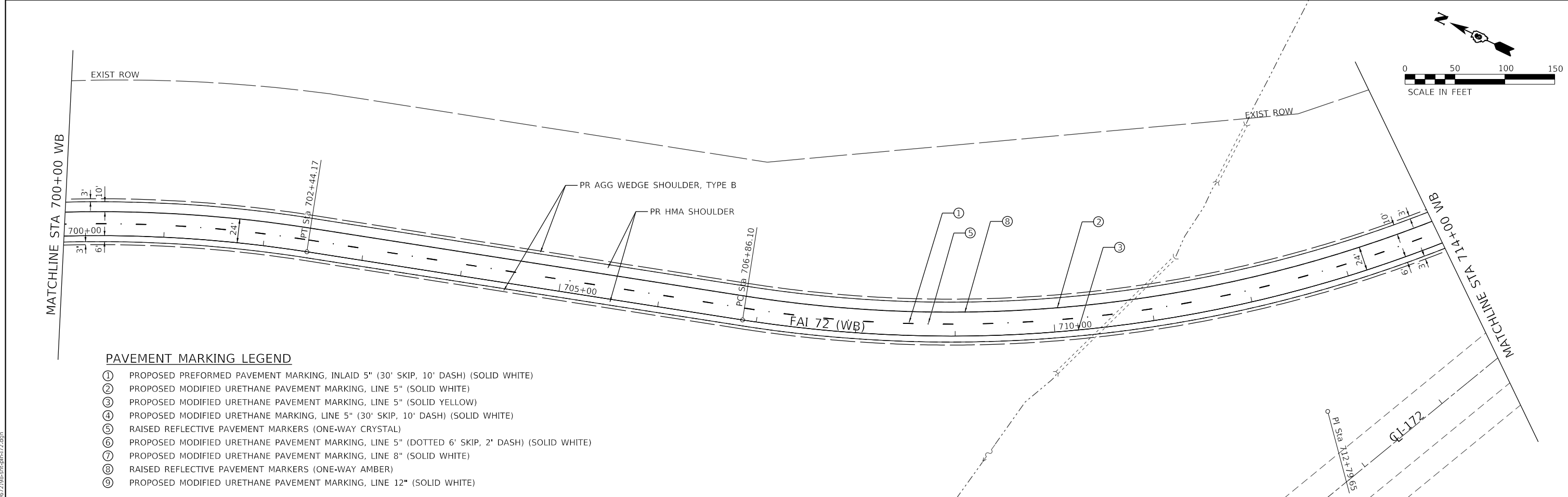
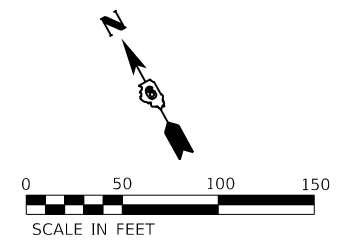
SCALE: 1" = 50' SHEET OF SHEETS STA. 658+00 TO STA. 686+00

| | | | | |
|---------------------------|--------------------------|-------------|--------------------|--------------|
| F.A.I. RTE. 72 | SECTION (75-1-1)RS-2,BRR | COUNTY PIKE | TOTAL SHEETS 82 | SHEET NO. 37 |
| ILLINOIS FED. AID PROJECT | | | CONTRACT NO. 72J98 | |



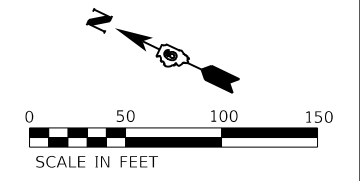
PAVEMENT MARKING LEGEND

- ① PROPOSED PREFORMED PAVEMENT MARKING, INLAID 5" (30' SKIP, 10' DASH) (SOLID WHITE)
- ② PROPOSED MODIFIED URETHANE PAVEMENT MARKING, LINE 5" (SOLID WHITE)
- ③ PROPOSED MODIFIED URETHANE PAVEMENT MARKING, LINE 5" (SOLID YELLOW)
- ④ PROPOSED MODIFIED URETHANE MARKING, LINE 5" (30' SKIP, 10' DASH) (SOLID WHITE)
- ⑤ RAISED REFLECTIVE PAVEMENT MARKERS (ONE-WAY CRYSTAL)
- ⑥ PROPOSED MODIFIED URETHANE PAVEMENT MARKING, LINE 5" (DOTTED 6' SKIP, 2' DASH) (SOLID WHITE)
- ⑦ PROPOSED MODIFIED URETHANE PAVEMENT MARKING, LINE 8" (SOLID WHITE)
- ⑧ RAISED REFLECTIVE PAVEMENT MARKERS (ONE-WAY AMBER)
- ⑨ PROPOSED MODIFIED URETHANE PAVEMENT MARKING, LINE 12" (SOLID WHITE)



PAVEMENT MARKING LEGEND

- ① PROPOSED PREFORMED PAVEMENT MARKING, INLAID 5" (30' SKIP, 10' DASH) (SOLID WHITE)
- ② PROPOSED MODIFIED URETHANE PAVEMENT MARKING, LINE 5" (SOLID WHITE)
- ③ PROPOSED MODIFIED URETHANE PAVEMENT MARKING, LINE 5" (SOLID YELLOW)
- ④ PROPOSED MODIFIED URETHANE MARKING, LINE 5" (30' SKIP, 10' DASH) (SOLID WHITE)
- ⑤ RAISED REFLECTIVE PAVEMENT MARKERS (ONE-WAY CRYSTAL)
- ⑥ PROPOSED MODIFIED URETHANE PAVEMENT MARKING, LINE 5" (DOTTED 6' SKIP, 2' DASH) (SOLID WHITE)
- ⑦ PROPOSED MODIFIED URETHANE PAVEMENT MARKING, LINE 8" (SOLID WHITE)
- ⑧ RAISED REFLECTIVE PAVEMENT MARKERS (ONE-WAY AMBER)
- ⑨ PROPOSED MODIFIED URETHANE PAVEMENT MARKING, LINE 12" (SOLID WHITE)



MODEL: Default
 FILE: \\bentley\project\72\72.dgn

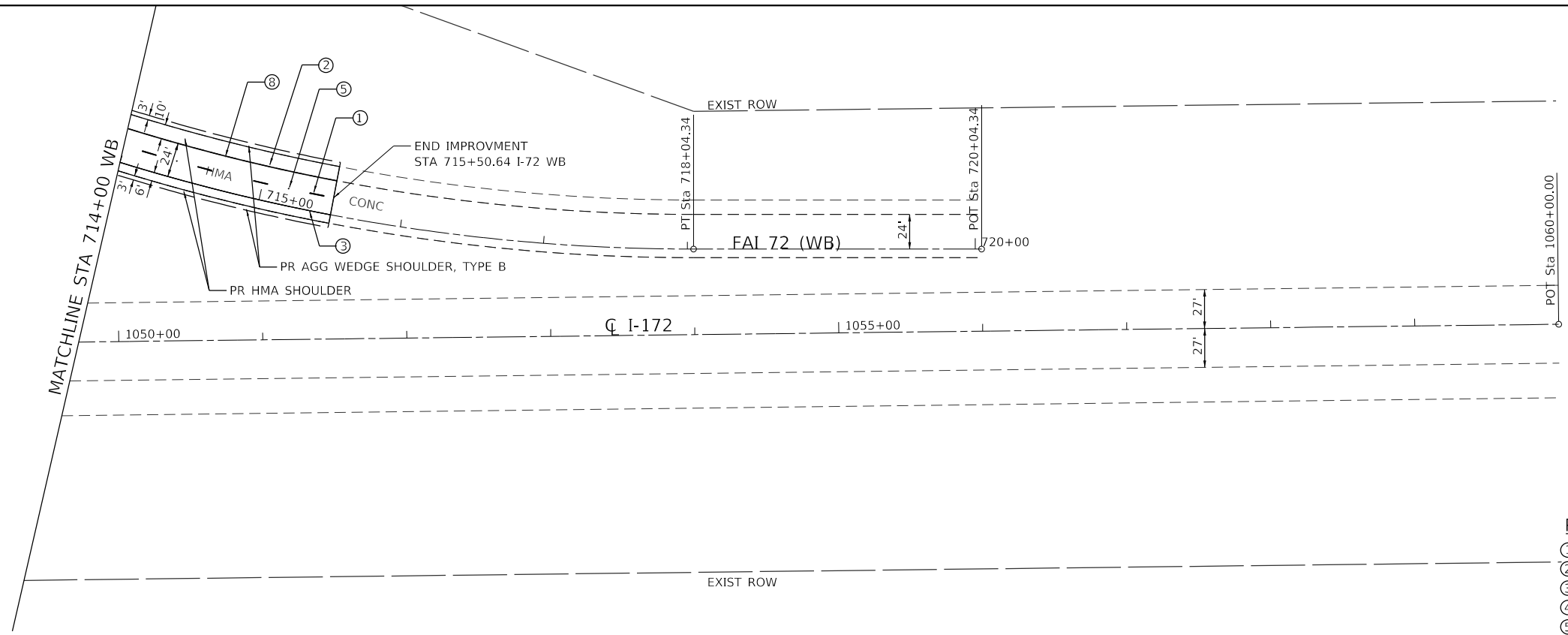
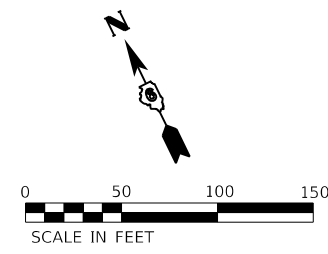
| | | |
|------------------------------------|------------|-----------|
| USER NAME = bemyer | DESIGNED - | REVISED - |
| PLOT SCALE = 100.0000' / in. | DRAWN - | REVISED - |
| PLOT DATE = 7/25/2018 - 2:01:47 PM | CHECKED - | REVISED - |
| | DATE - | REVISED - |

**STATE OF ILLINOIS
DEPARTMENT OF TRANSPORTATION**

**PLAN SHEET
I-72 RESURFACING (WB)**

SCALE: 1" = 50' SHEET OF SHEETS STA. 686+00 TO STA. 714+00

| F.A.I. RTE. | SECTION | COUNTY | TOTAL SHEETS | SHEET NO. |
|---------------------------|------------------|--------|--------------|-----------|
| 72 | (75-1-1)RS-2,BRR | PIKE | 82 | 38 |
| CONTRACT NO. 72J98 | | | | |
| ILLINOIS FED. AID PROJECT | | | | |



PAVEMENT MARKING LEGEND

- ① PROPOSED PREFORMED PAVEMENT MARKING, INLAID 5" (30' SKIP, 10' DASH) (SOLID WHITE)
- ② PROPOSED MODIFIED URETHANE PAVEMENT MARKING, LINE 5" (SOLID WHITE)
- ③ PROPOSED MODIFIED URETHANE PAVEMENT MARKING, LINE 5" (SOLID YELLOW)
- ④ PROPOSED MODIFIED URETHANE MARKING, LINE 5" (30' SKIP, 10' DASH) (SOLID WHITE)
- ⑤ RAISED REFLECTIVE PAVEMENT MARKERS (ONE-WAY CRYSTAL)
- ⑥ PROPOSED MODIFIED URETHANE PAVEMENT MARKING, LINE 5" (DOTTED 6' SKIP, 2' DASH) (SOLID WHITE)
- ⑦ PROPOSED MODIFIED URETHANE PAVEMENT MARKING, LINE 8" (SOLID WHITE)
- ⑧ RAISED REFLECTIVE PAVEMENT MARKERS (ONE-WAY AMBER)
- ⑨ PROPOSED MODIFIED URETHANE PAVEMENT MARKING, LINE 12" (SOLID WHITE)

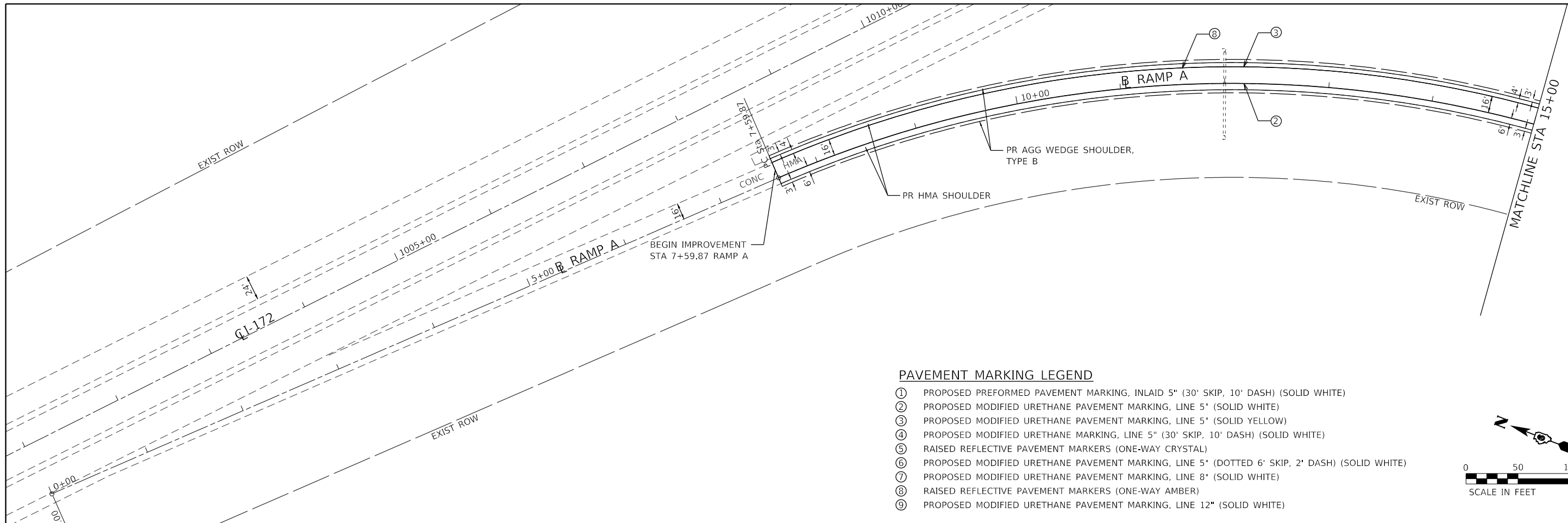
MODEL: Default
 FILE: \\nwr\p\...03072198-51c-pln-72.dgn

| | | |
|------------------------------------|------------|-----------|
| USER NAME = bemery | DESIGNED - | REVISED - |
| | DRAWN - | REVISED - |
| PLOT SCALE = 100.0000' / in. | CHECKED - | REVISED - |
| PLOT DATE = 7/25/2018 - 2:01:47 PM | DATE - | REVISED - |

STATE OF ILLINOIS
DEPARTMENT OF TRANSPORTATION

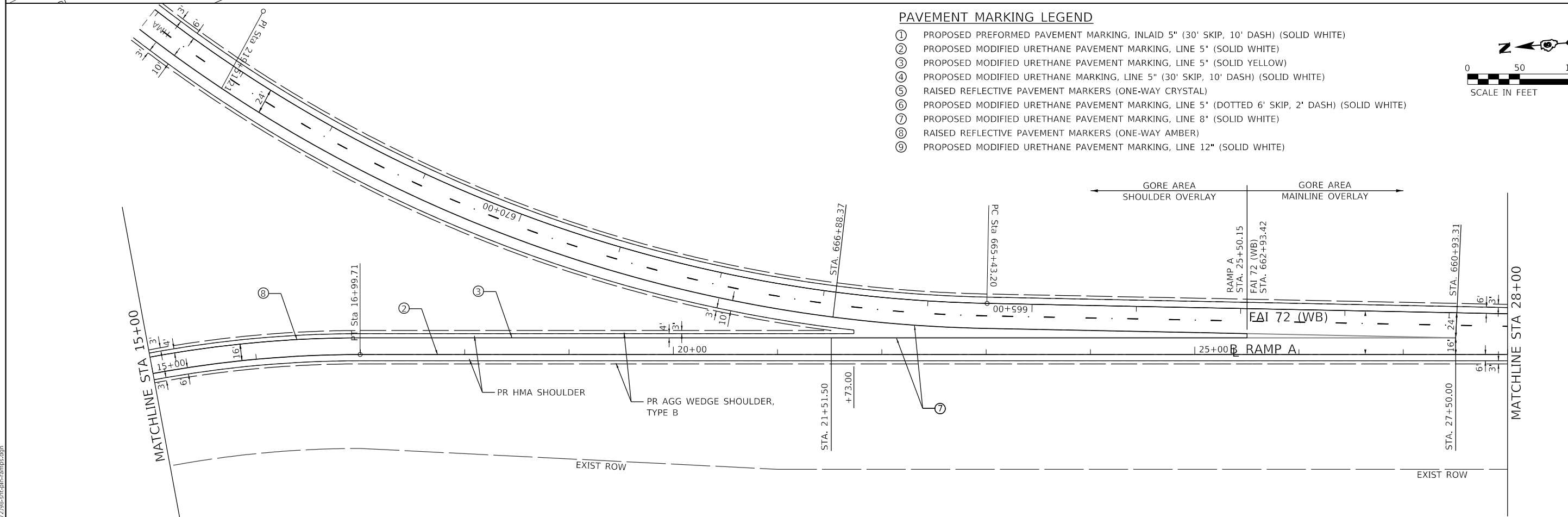
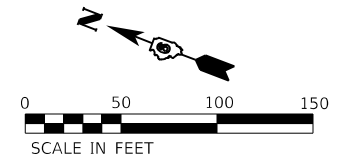
| | | | |
|---|-------|----|----------------------------|
| PLAN SHEET I-72 RESURFACING (WB) | | | |
| SCALE: 1" = 50' | SHEET | OF | SHEETS |
| | | | STA. 714+00 TO STA. 720+00 |

| F.A.I. RTE. | SECTION | COUNTY | TOTAL SHEETS | SHEET NO. |
|--------------------|------------------|----------|------------------|-----------|
| 72 | (75-1-1)RS-2,BRR | PIKE | 82 | 39 |
| CONTRACT NO. 72J98 | | | | |
| | | ILLINOIS | FED. AID PROJECT | |



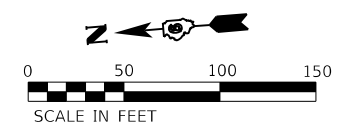
PAVEMENT MARKING LEGEND

- ① PROPOSED PREFORMED PAVEMENT MARKING, INLAID 5" (30' SKIP, 10' DASH) (SOLID WHITE)
- ② PROPOSED MODIFIED URETHANE PAVEMENT MARKING, LINE 5" (SOLID WHITE)
- ③ PROPOSED MODIFIED URETHANE PAVEMENT MARKING, LINE 5" (SOLID YELLOW)
- ④ PROPOSED MODIFIED URETHANE MARKING, LINE 5" (30' SKIP, 10' DASH) (SOLID WHITE)
- ⑤ RAISED REFLECTIVE PAVEMENT MARKERS (ONE-WAY CRYSTAL)
- ⑥ PROPOSED MODIFIED URETHANE PAVEMENT MARKING, LINE 5" (DOTTED 6' SKIP, 2' DASH) (SOLID WHITE)
- ⑦ PROPOSED MODIFIED URETHANE PAVEMENT MARKING, LINE 8" (SOLID WHITE)
- ⑧ RAISED REFLECTIVE PAVEMENT MARKERS (ONE-WAY AMBER)
- ⑨ PROPOSED MODIFIED URETHANE PAVEMENT MARKING, LINE 12" (SOLID WHITE)



PAVEMENT MARKING LEGEND

- ① PROPOSED PREFORMED PAVEMENT MARKING, INLAID 5" (30' SKIP, 10' DASH) (SOLID WHITE)
- ② PROPOSED MODIFIED URETHANE PAVEMENT MARKING, LINE 5" (SOLID WHITE)
- ③ PROPOSED MODIFIED URETHANE PAVEMENT MARKING, LINE 5" (SOLID YELLOW)
- ④ PROPOSED MODIFIED URETHANE MARKING, LINE 5" (30' SKIP, 10' DASH) (SOLID WHITE)
- ⑤ RAISED REFLECTIVE PAVEMENT MARKERS (ONE-WAY CRYSTAL)
- ⑥ PROPOSED MODIFIED URETHANE PAVEMENT MARKING, LINE 5" (DOTTED 6' SKIP, 2' DASH) (SOLID WHITE)
- ⑦ PROPOSED MODIFIED URETHANE PAVEMENT MARKING, LINE 8" (SOLID WHITE)
- ⑧ RAISED REFLECTIVE PAVEMENT MARKERS (ONE-WAY AMBER)
- ⑨ PROPOSED MODIFIED URETHANE PAVEMENT MARKING, LINE 12" (SOLID WHITE)



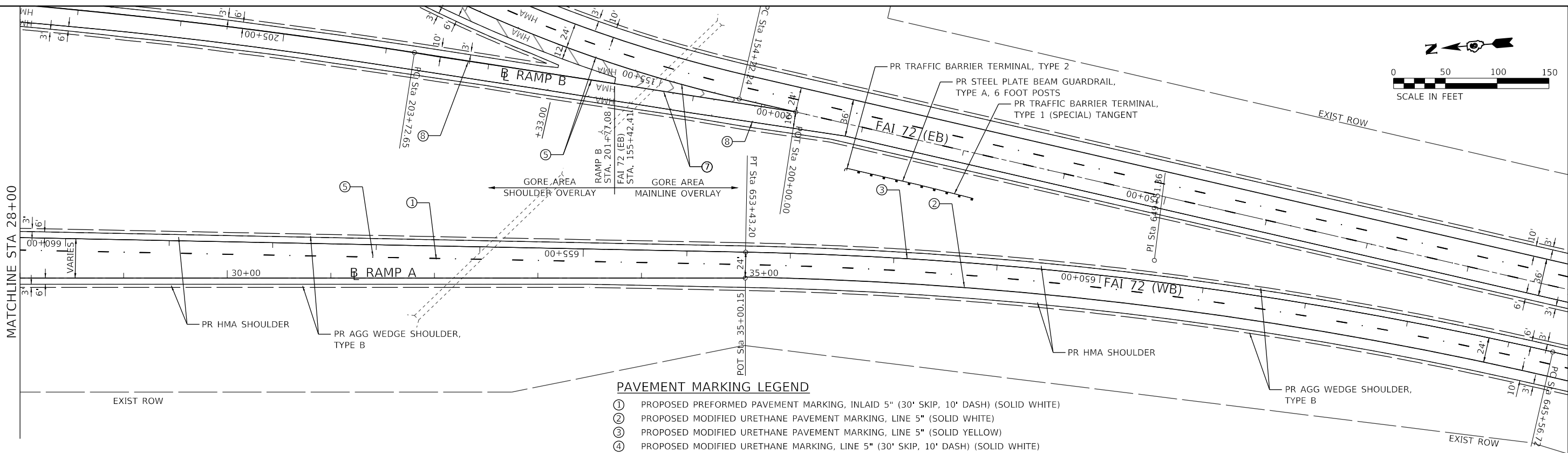
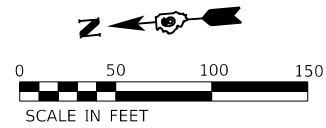
MODEL: Default
FILE: \\nfs1\...03072198-210-01-campis.dgn

| | | |
|------------------------------------|------------|-----------|
| USER NAME = bemery | DESIGNED - | REVISED - |
| PLOT SCALE = 100.0000' / in. | DRAWN - | REVISED - |
| PLOT DATE = 7/25/2018 - 2:02:45 PM | CHECKED - | REVISED - |
| | DATE - | REVISED - |

**STATE OF ILLINOIS
DEPARTMENT OF TRANSPORTATION**

| | |
|------------------------------|------------------|
| PLAN SHEET RAMP A | |
| SCALE: 1" = 50' | SHEET OF SHEETS |
| STA. 0+00.00 | TO STA. 28+00.00 |

| | | | | |
|---------------------------|--------------------------|-------------|-----------------|--------------|
| F.A.I. RTE. 72 | SECTION (75-1-1)RS-2,BRR | COUNTY PIKE | TOTAL SHEETS 82 | SHEET NO. 40 |
| CONTRACT NO. 72J98 | | | | |
| ILLINOIS FED. AID PROJECT | | | | |



PAVEMENT MARKING LEGEND

- ① PROPOSED PREFORMED PAVEMENT MARKING, INLAID 5" (30' SKIP, 10' DASH) (SOLID WHITE)
- ② PROPOSED MODIFIED URETHANE PAVEMENT MARKING, LINE 5" (SOLID WHITE)
- ③ PROPOSED MODIFIED URETHANE PAVEMENT MARKING, LINE 5" (SOLID YELLOW)
- ④ PROPOSED MODIFIED URETHANE MARKING, LINE 5" (30' SKIP, 10' DASH) (SOLID WHITE)
- ⑤ RAISED REFLECTIVE PAVEMENT MARKERS (ONE-WAY CRYSTAL)
- ⑥ PROPOSED MODIFIED URETHANE PAVEMENT MARKING, LINE 5" (DOTTED 6' SKIP, 2' DASH) (SOLID WHITE)
- ⑦ PROPOSED MODIFIED URETHANE PAVEMENT MARKING, LINE 8" (SOLID WHITE)
- ⑧ RAISED REFLECTIVE PAVEMENT MARKERS (ONE-WAY AMBER)
- ⑨ PROPOSED MODIFIED URETHANE PAVEMENT MARKING, LINE 12" (SOLID WHITE)

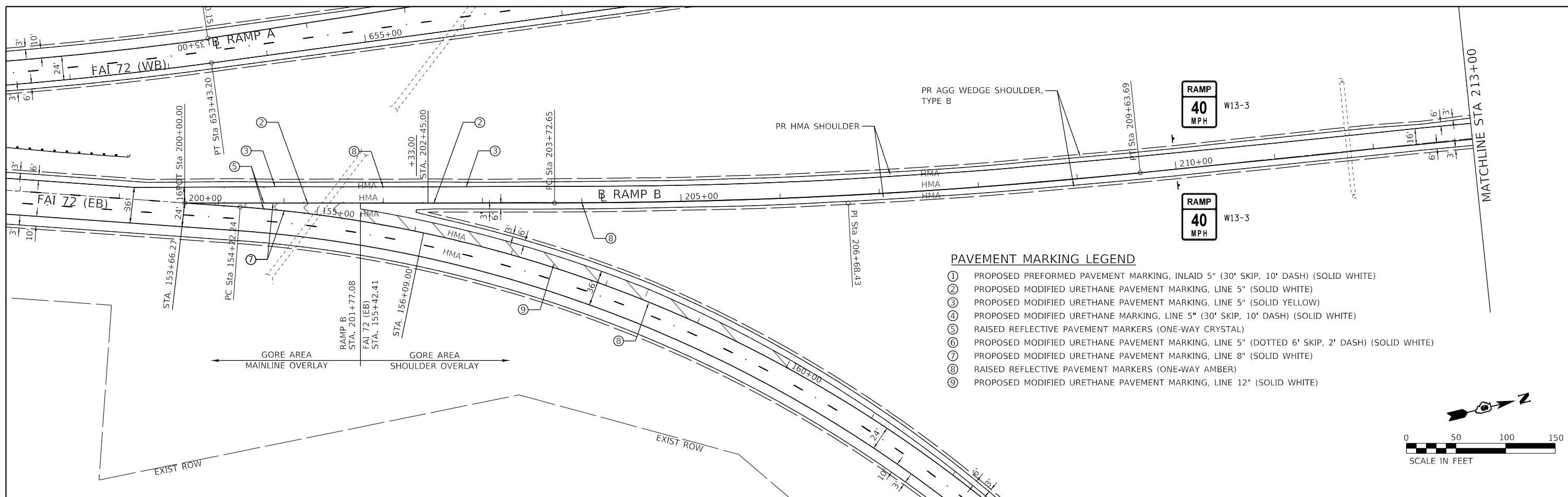
MODEL: Default
 FILE: Model - 030872198-Plan-RampA.dgn

| | | |
|------------------------------------|------------|-----------|
| USER NAME = bemery | DESIGNED - | REVISED - |
| | DRAWN - | REVISED - |
| PLOT SCALE = 100.0000' / in. | CHECKED - | REVISED - |
| PLOT DATE = 7/25/2018 - 2:02:45 PM | DATE - | REVISED - |

**STATE OF ILLINOIS
DEPARTMENT OF TRANSPORTATION**

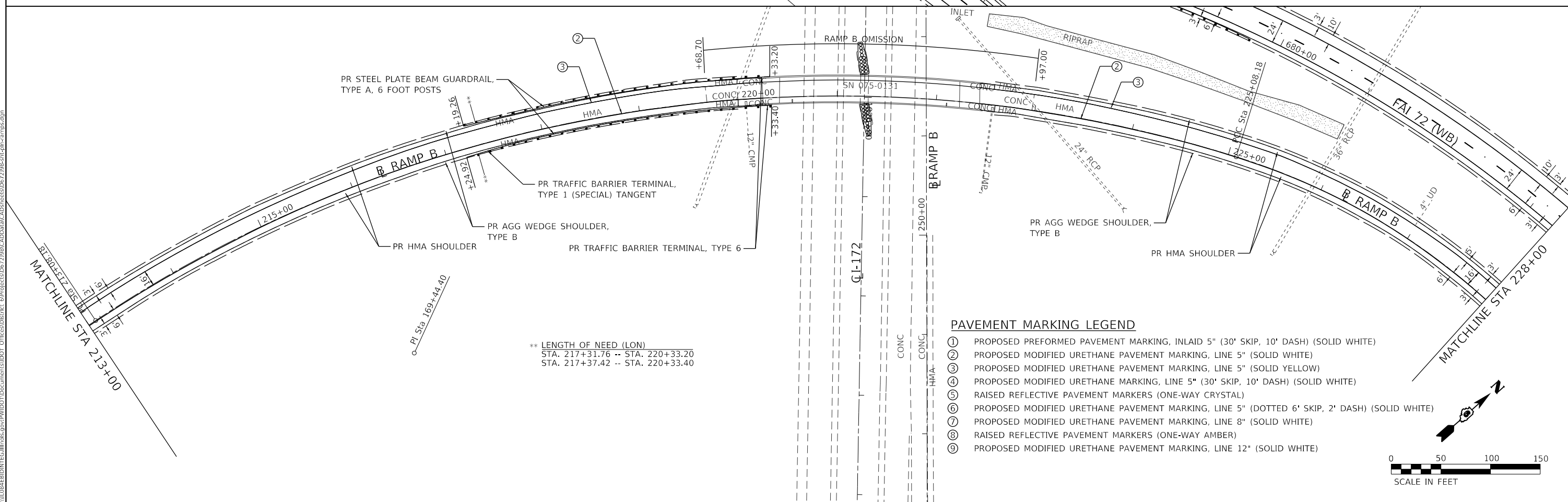
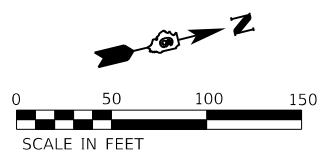
| | |
|------------------------------|------------------|
| PLAN SHEET RAMP A | |
| SCALE: 1" = 50' | SHEET OF SHEETS |
| STA. 28+00.00 | TO STA. 35+00.15 |

| F.A.I. RTE. | SECTION | COUNTY | TOTAL SHEETS | SHEET NO. |
|---------------------------|------------------|--------|--------------|-----------|
| 72 | (75-1-1)RS-2,BRR | PIKE | 82 | 41 |
| CONTRACT NO. 72J98 | | | | |
| ILLINOIS FED. AID PROJECT | | | | |



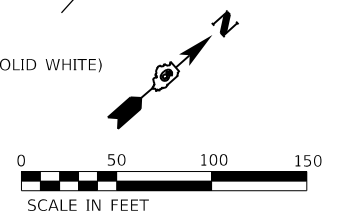
PAVEMENT MARKING LEGEND

- ① PROPOSED PREFORMED PAVEMENT MARKING, INLAID 5" (30' SKIP, 10' DASH) (SOLID WHITE)
- ② PROPOSED MODIFIED URETHANE PAVEMENT MARKING, LINE 5" (SOLID WHITE)
- ③ PROPOSED MODIFIED URETHANE PAVEMENT MARKING, LINE 5" (SOLID YELLOW)
- ④ PROPOSED MODIFIED URETHANE MARKING, LINE 5" (30' SKIP, 10' DASH) (SOLID WHITE)
- ⑤ RAISED REFLECTIVE PAVEMENT MARKERS (ONE-WAY CRYSTAL)
- ⑥ PROPOSED MODIFIED URETHANE PAVEMENT MARKING, LINE 5" (DOTTED 6' SKIP, 2' DASH) (SOLID WHITE)
- ⑦ PROPOSED MODIFIED URETHANE PAVEMENT MARKING, LINE 8" (SOLID WHITE)
- ⑧ RAISED REFLECTIVE PAVEMENT MARKERS (ONE-WAY AMBER)
- ⑨ PROPOSED MODIFIED URETHANE PAVEMENT MARKING, LINE 12" (SOLID WHITE)



PAVEMENT MARKING LEGEND

- ① PROPOSED PREFORMED PAVEMENT MARKING, INLAID 5" (30' SKIP, 10' DASH) (SOLID WHITE)
- ② PROPOSED MODIFIED URETHANE PAVEMENT MARKING, LINE 5" (SOLID WHITE)
- ③ PROPOSED MODIFIED URETHANE PAVEMENT MARKING, LINE 5" (SOLID YELLOW)
- ④ PROPOSED MODIFIED URETHANE MARKING, LINE 5" (30' SKIP, 10' DASH) (SOLID WHITE)
- ⑤ RAISED REFLECTIVE PAVEMENT MARKERS (ONE-WAY CRYSTAL)
- ⑥ PROPOSED MODIFIED URETHANE PAVEMENT MARKING, LINE 5" (DOTTED 6' SKIP, 2' DASH) (SOLID WHITE)
- ⑦ PROPOSED MODIFIED URETHANE PAVEMENT MARKING, LINE 8" (SOLID WHITE)
- ⑧ RAISED REFLECTIVE PAVEMENT MARKERS (ONE-WAY AMBER)
- ⑨ PROPOSED MODIFIED URETHANE PAVEMENT MARKING, LINE 12" (SOLID WHITE)



** LENGTH OF NEED (LON)
 STA. 217+31.76 -- STA. 220+33.20
 STA. 217+37.42 -- STA. 220+33.40

MODEL: Default
 FILE NAME: p:\v\084EBID\NTEG\Illinois\pav\SPWID\DOT\Documents\DOT_Offices\BIS\11_61\Projects\0672198\CAD\Drawings\ASBESTOS\0672198-shl-pbr-ramps.dgn

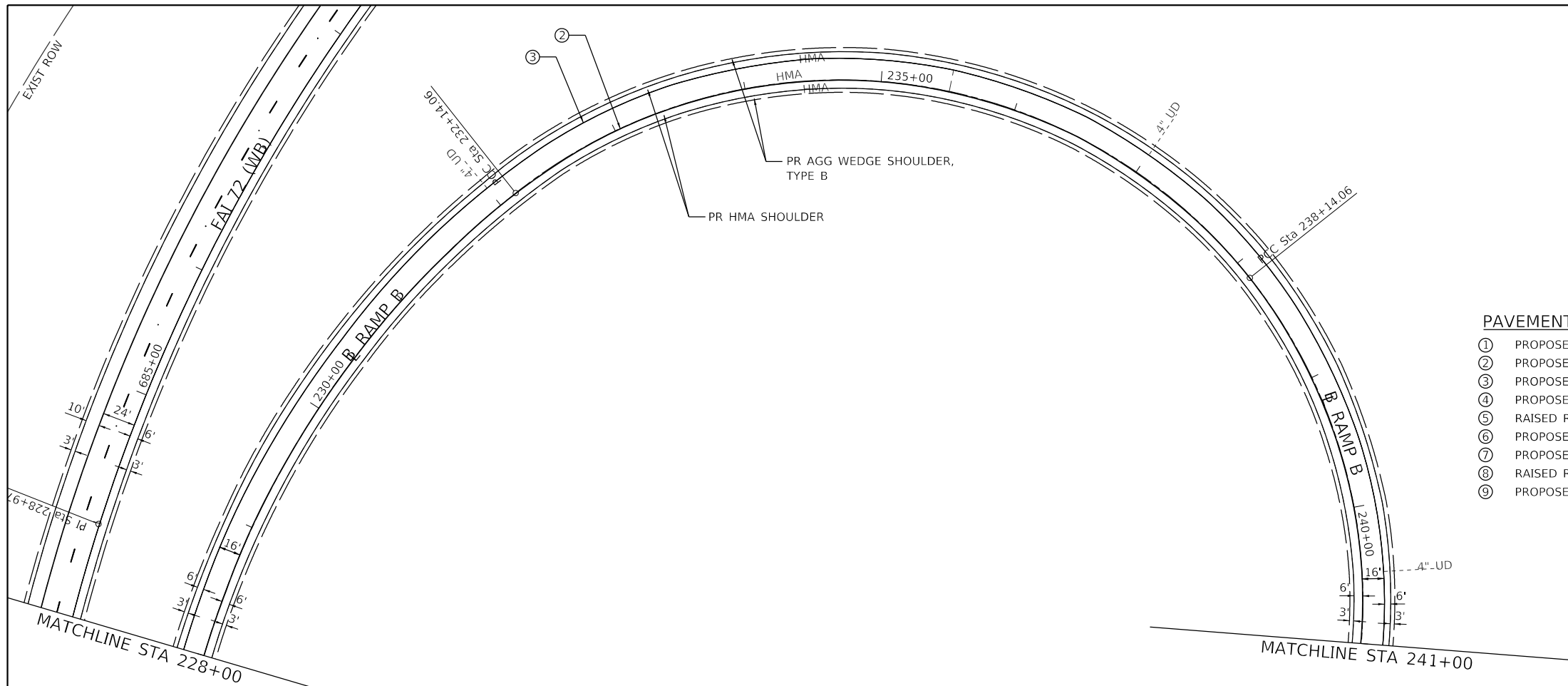
| | | |
|------------------------------|------------|-----------|
| USER NAME = RohertM | DESIGNED - | REVISED - |
| PLOT SCALE = 100.9714' / in. | DRAWN - | REVISED - |
| PLOT DATE = 9/20/2018 | CHECKED - | REVISED - |
| | DATE - | REVISED - |

**STATE OF ILLINOIS
 DEPARTMENT OF TRANSPORTATION**

**PLAN SHEET
 RAMP B**

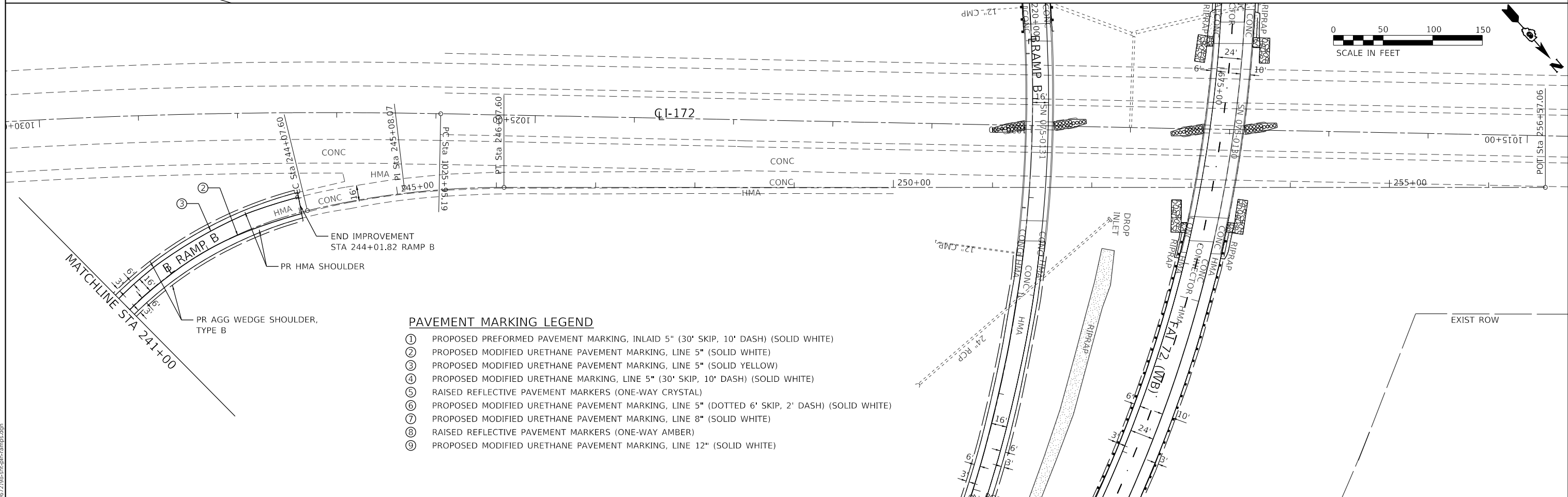
SCALE: 1" = 50' SHEET OF SHEETS STA. 200+00.00 TO STA. 213+00.00

| | | | | |
|---------------------------|--------------------------|-------------|-----------------|--------------------|
| F.A.I. RTE. 72 | SECTION (75-1-1)RS-2,BRR | COUNTY PIKE | TOTAL SHEETS 82 | SHEET NO. 42 |
| | | | | CONTRACT NO. 72J98 |
| ILLINOIS FED. AID PROJECT | | | | |



PAVEMENT MARKING LEGEND

- ① PROPOSED PREFORMED PAVEMENT MARKING, INLAID 5" (30' SKIP, 10' DASH) (SOLID WHITE)
- ② PROPOSED MODIFIED URETHANE PAVEMENT MARKING, LINE 5" (SOLID WHITE)
- ③ PROPOSED MODIFIED URETHANE PAVEMENT MARKING, LINE 5" (SOLID YELLOW)
- ④ PROPOSED MODIFIED URETHANE MARKING, LINE 5" (30' SKIP, 10' DASH) (SOLID WHITE)
- ⑤ RAISED REFLECTIVE PAVEMENT MARKERS (ONE-WAY CRYSTAL)
- ⑥ PROPOSED MODIFIED URETHANE PAVEMENT MARKING, LINE 5" (DOTTED 6' SKIP, 2' DASH) (SOLID WHITE)
- ⑦ PROPOSED MODIFIED URETHANE PAVEMENT MARKING, LINE 8" (SOLID WHITE)
- ⑧ RAISED REFLECTIVE PAVEMENT MARKERS (ONE-WAY AMBER)
- ⑨ PROPOSED MODIFIED URETHANE PAVEMENT MARKING, LINE 12" (SOLID WHITE)



PAVEMENT MARKING LEGEND

- ① PROPOSED PREFORMED PAVEMENT MARKING, INLAID 5" (30' SKIP, 10' DASH) (SOLID WHITE)
- ② PROPOSED MODIFIED URETHANE PAVEMENT MARKING, LINE 5" (SOLID WHITE)
- ③ PROPOSED MODIFIED URETHANE PAVEMENT MARKING, LINE 5" (SOLID YELLOW)
- ④ PROPOSED MODIFIED URETHANE MARKING, LINE 5" (30' SKIP, 10' DASH) (SOLID WHITE)
- ⑤ RAISED REFLECTIVE PAVEMENT MARKERS (ONE-WAY CRYSTAL)
- ⑥ PROPOSED MODIFIED URETHANE PAVEMENT MARKING, LINE 5" (DOTTED 6' SKIP, 2' DASH) (SOLID WHITE)
- ⑦ PROPOSED MODIFIED URETHANE PAVEMENT MARKING, LINE 8" (SOLID WHITE)
- ⑧ RAISED REFLECTIVE PAVEMENT MARKERS (ONE-WAY AMBER)
- ⑨ PROPOSED MODIFIED URETHANE PAVEMENT MARKING, LINE 12" (SOLID WHITE)

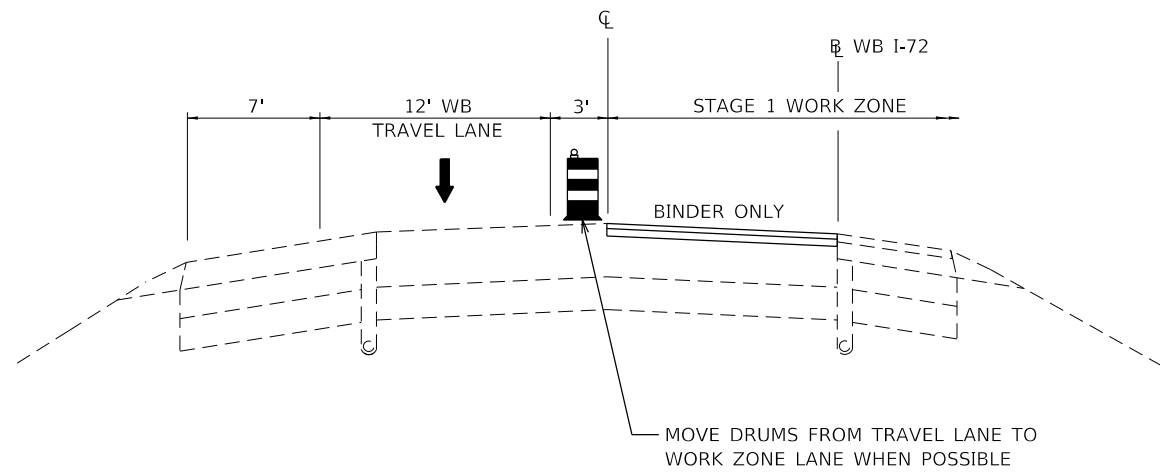
MODEL: Default
 FILE: Model - 03067298-shc-pln-camps.dgn

| | | |
|------------------------------------|------------|-----------|
| USER NAME = bemery | DESIGNED - | REVISED - |
| | DRAWN - | REVISED - |
| PLOT SCALE = 100.0000' / in. | CHECKED - | REVISED - |
| PLOT DATE = 7/25/2018 - 2:02:46 PM | DATE - | REVISED - |

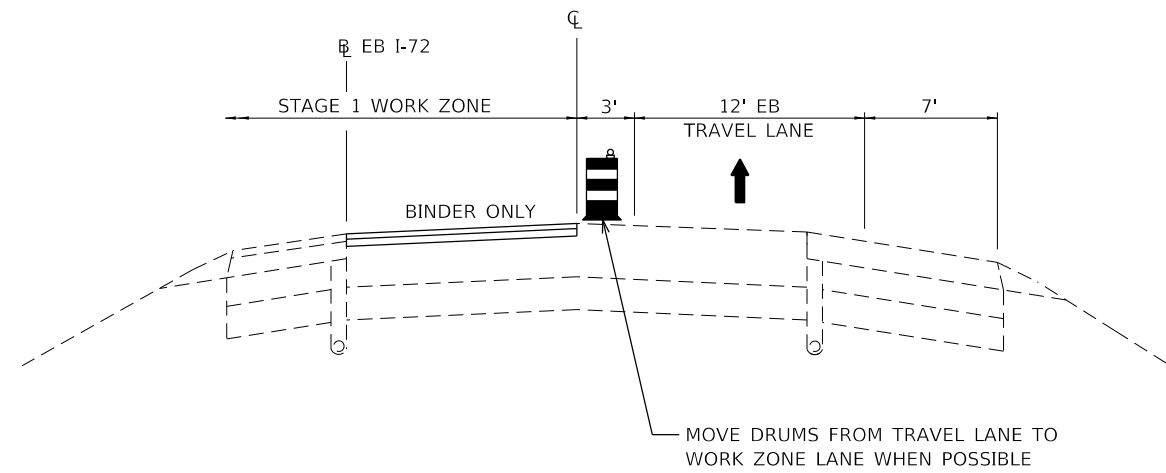
**STATE OF ILLINOIS
DEPARTMENT OF TRANSPORTATION**

| | |
|------------------------------|-------------------|
| PLAN SHEET RAMP B | |
| SCALE: 1" = 50' | SHEET OF SHEETS |
| STA. 213+00.00 | TO STA. 256+57.06 |

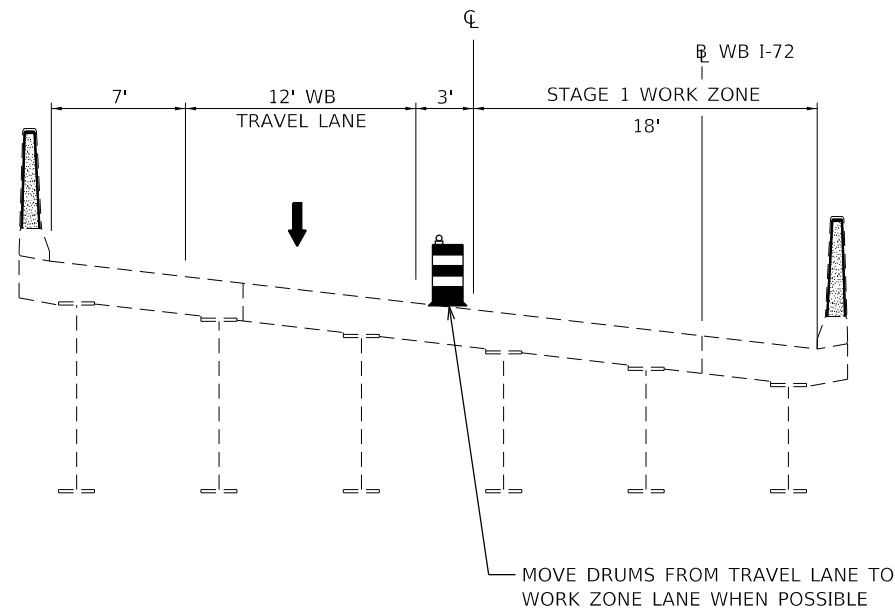
| | | | | |
|---------------------------|--------------------------|-------------|-----------------|--------------|
| F.A.I. RTE. 72 | SECTION (75-1-1)RS-2,BRR | COUNTY PIKE | TOTAL SHEETS 82 | SHEET NO. 43 |
| CONTRACT NO. 72J98 | | | | |
| ILLINOIS FED. AID PROJECT | | | | |



STAGE 1 TYPICAL I-72 WB



STAGE 1 TYPICAL I-72 EB



STAGE 1 TYPICAL SN 075-0130 WB

STAGE 1

TRAFFIC

I-72 - MAINTAIN ONE LANE OF TRAFFIC IN BOTH WB AND EB DIRECTIONS.

RAMP B - TO BE CLOSED AND TRAFFIC TO BE DETOURED. SEE DETOUR PLANS.

ROADWAY CONSTRUCTION

I-72 - CONSTRUCT WB PASSING LANE BINDER AND MILL SHOULDER AND EB PASSING LANE BINDER AND MILL SHOULDER.

RAMP B - CONSTRUCT RAMP PAVEMENT AND MILL SHOULDER.

SEE PROPOSED TYPICAL SECTION SHEETS AND SPECIAL PROVISIONS FOR DETAILED INFORMATION.

PRIMARY IDOT STANDARDS THIS STAGE

701201, 701400, 701401, 701451, 701901
(SEE SPECIAL PROVISIONS FOR ADDITIONAL APPLICABLE STANDARDS)

MODEL: Default
FILE: Model_000072_08-Plot.dwg

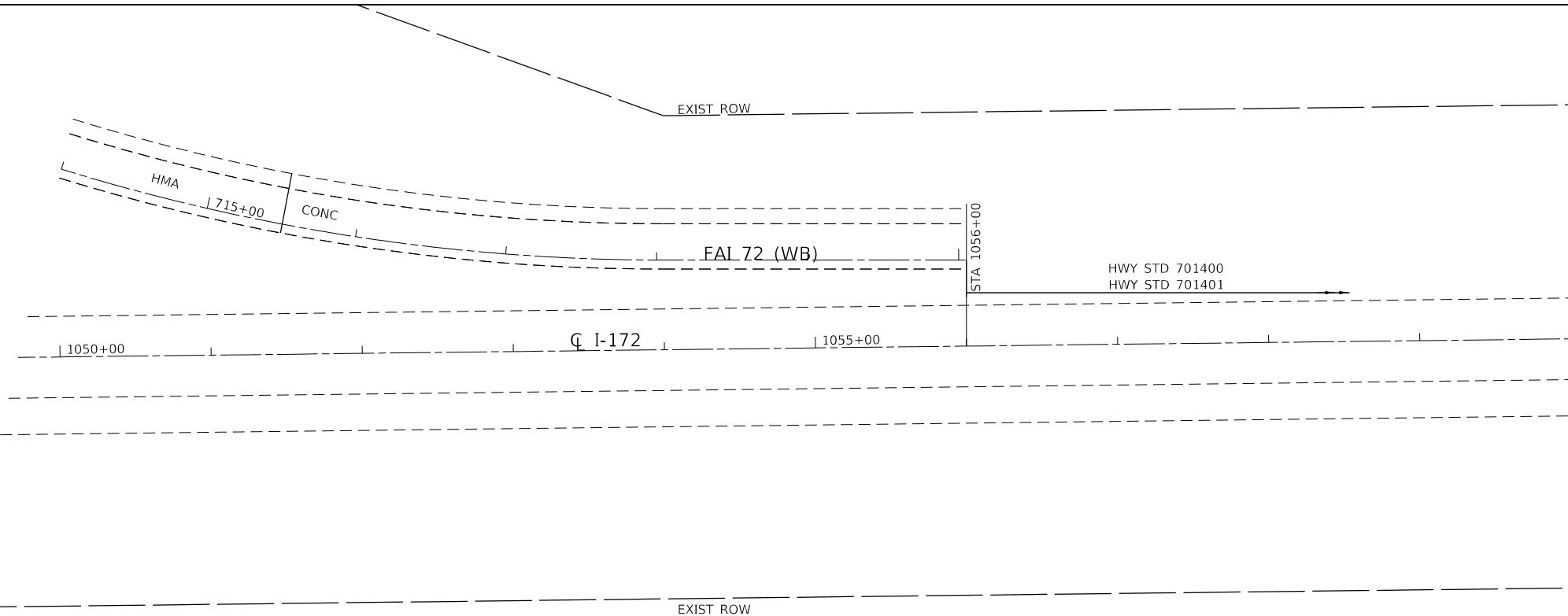
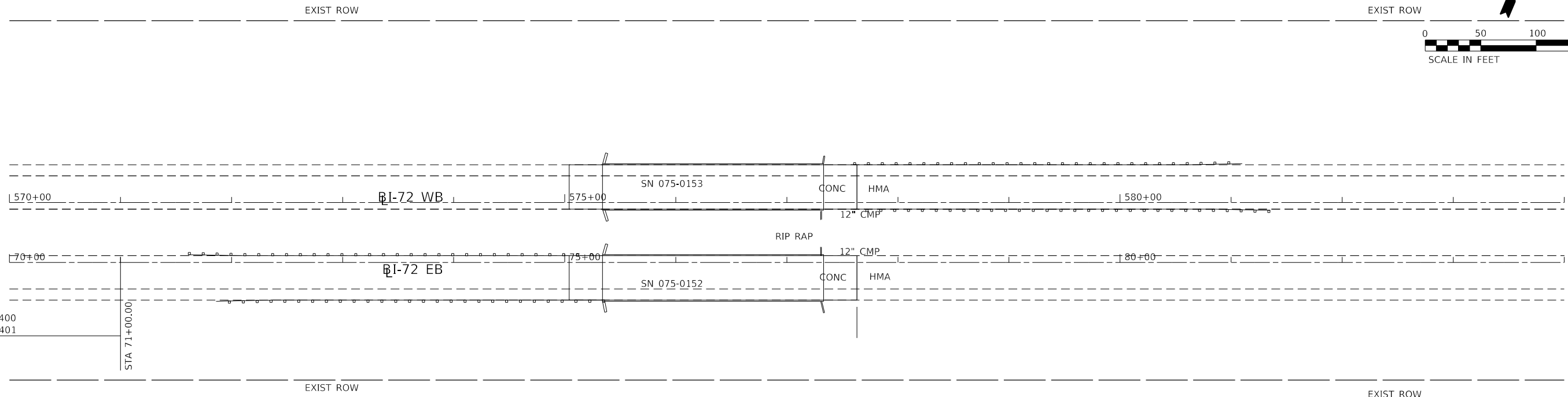
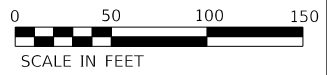
| | | |
|------------------------------------|------------|-----------|
| USER NAME = bemery | DESIGNED - | REVISED - |
| | DRAWN - | REVISED - |
| PLOT SCALE = 100.0000' / in. | CHECKED - | REVISED - |
| PLOT DATE = 7/25/2018 - 2:03:18 PM | DATE - | REVISED - |

**STATE OF ILLINOIS
DEPARTMENT OF TRANSPORTATION**

**MAINTENANCE OF TRAFFIC
I-72 STAGE 1**

SCALE: N.T.S. SHEET OF SHEETS STA. TO STA.

| F.A.I. RTE. | SECTION | COUNTY | TOTAL SHEETS | SHEET NO. |
|--------------------|------------------|--------|---------------------------|-----------|
| 72 | (75-1-1)RS-2,BRR | PIKE | 82 | 44 |
| CONTRACT NO. 72J98 | | | ILLINOIS FED. AID PROJECT | |



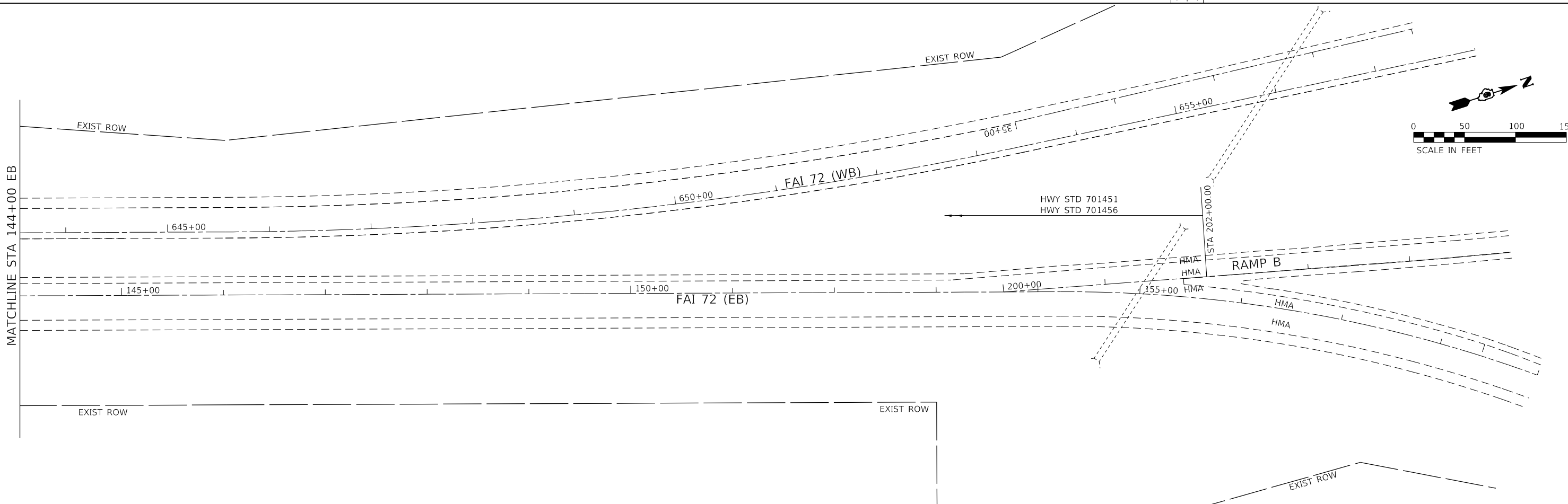
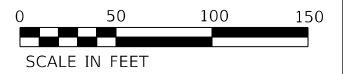
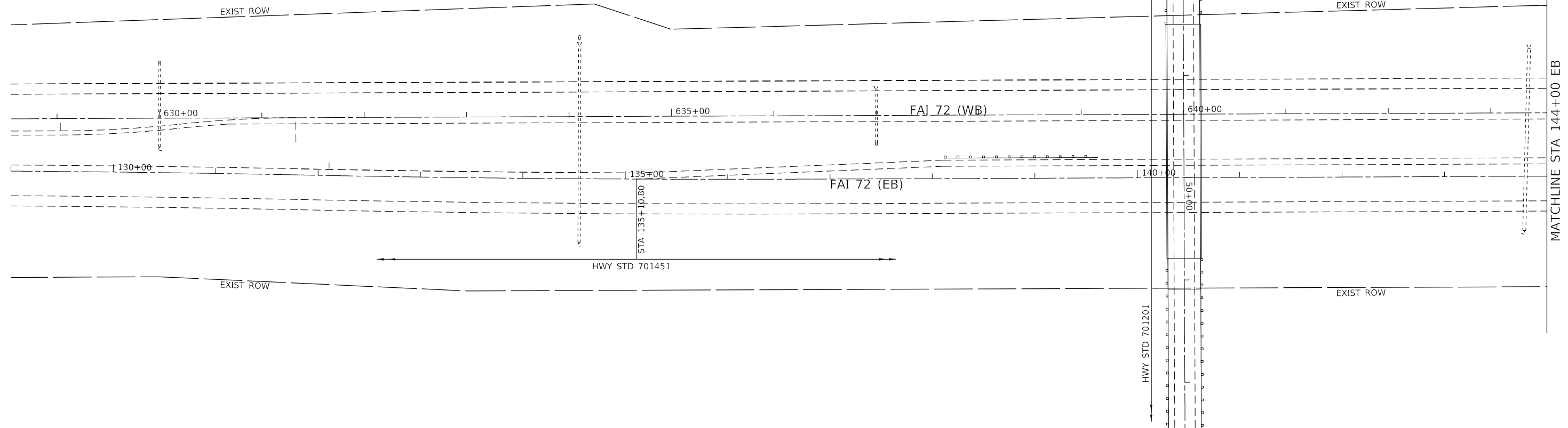
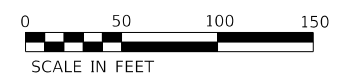
MODEL: Default
 FILE: Model - 03082198-PlanStage1.dwg

| | | |
|------------------------------------|------------|-----------|
| USER NAME = bemery | DESIGNED - | REVISED - |
| | DRAWN - | REVISED - |
| PLOT SCALE = 100.0000' / in. | CHECKED - | REVISED - |
| PLOT DATE = 7/25/2018 - 2:03:18 PM | DATE - | REVISED - |

STATE OF ILLINOIS
DEPARTMENT OF TRANSPORTATION

| | | | |
|-----------------------------------|-------|----|---------|
| MAINTENANCE OF TRAFFIC | | | |
| I-72 (WB & EB) STAGE 1 | | | |
| SCALE: 1" = 50' | SHEET | OF | SHEETS |
| | STA. | | TO STA. |

| F.A.I. RTE. | SECTION | COUNTY | TOTAL SHEETS | SHEET NO. |
|---------------------------|------------------|--------|--------------|-----------|
| 72 | (75-1-1)RS-2,BRR | PIKE | 82 | 45 |
| CONTRACT NO. 72J98 | | | | |
| ILLINOIS FED. AID PROJECT | | | | |



MODEL: Default
 FILE: \\mtr\p1\03072198-01\c1\01.dwg

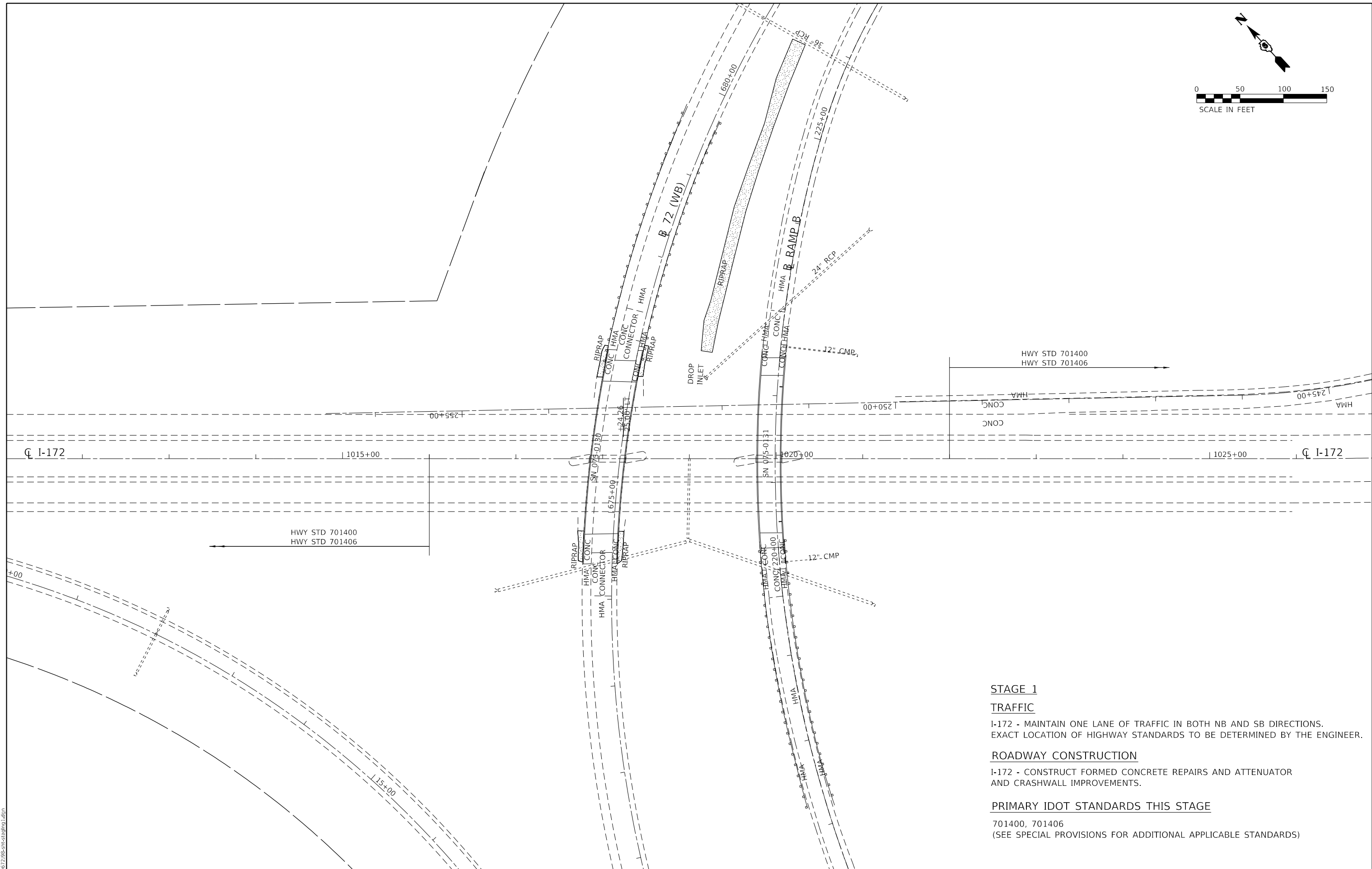
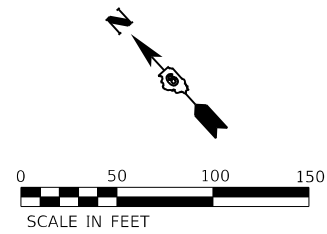
| | | |
|------------------------------------|------------|-----------|
| USER NAME = bemery | DESIGNED - | REVISED - |
| PLOT SCALE = 100.0000' / in. | DRAWN - | REVISED - |
| PLOT DATE = 7/25/2018 - 2:03:19 PM | CHECKED - | REVISED - |
| | DATE - | REVISED - |

STATE OF ILLINOIS
DEPARTMENT OF TRANSPORTATION

| | |
|---|------------------------------|
| MAINTENANCE OF TRAFFIC I-72 EB /RAMP B STAGE 1 | |
| SCALE: 1" = 50' | SHEET OF SHEETS STA. TO STA. |

| F.A.I. RTE. | SECTION | COUNTY | TOTAL SHEETS | SHEET NO. |
|--------------------|------------------|--------|--------------|-----------|
| 72 | (75-1-1)RS-2,BRR | PIKE | 82 | 46 |
| CONTRACT NO. 72J98 | | | | |

ILLINOIS FED. AID PROJECT



STAGE 1
TRAFFIC
 I-172 - MAINTAIN ONE LANE OF TRAFFIC IN BOTH NB AND SB DIRECTIONS.
 EXACT LOCATION OF HIGHWAY STANDARDS TO BE DETERMINED BY THE ENGINEER.

ROADWAY CONSTRUCTION
 I-172 - CONSTRUCT FORMED CONCRETE REPAIRS AND ATTENUATOR
 AND CRASHWALL IMPROVEMENTS.

PRIMARY IDOT STANDARDS THIS STAGE
 701400, 701406
 (SEE SPECIAL PROVISIONS FOR ADDITIONAL APPLICABLE STANDARDS)

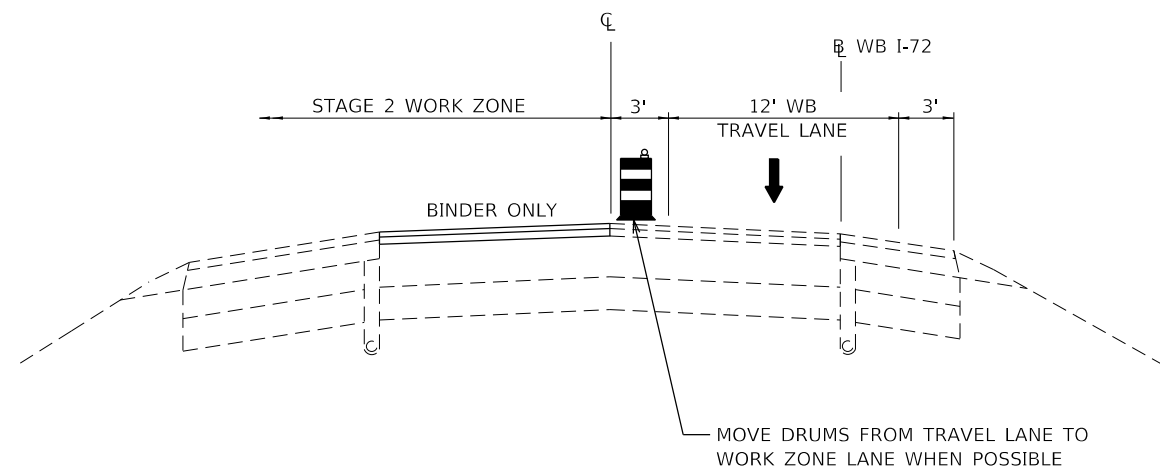
MODEL: Default
 FILE NAME: ...00067298-plot.dwg

| | | |
|------------------------------------|------------|-----------|
| USER NAME = bemery | DESIGNED - | REVISED - |
| PLOT SCALE = 100.0000' / in. | DRAWN - | REVISED - |
| PLOT DATE = 7/25/2018 - 2:03:19 PM | CHECKED - | REVISED - |
| | DATE - | REVISED - |

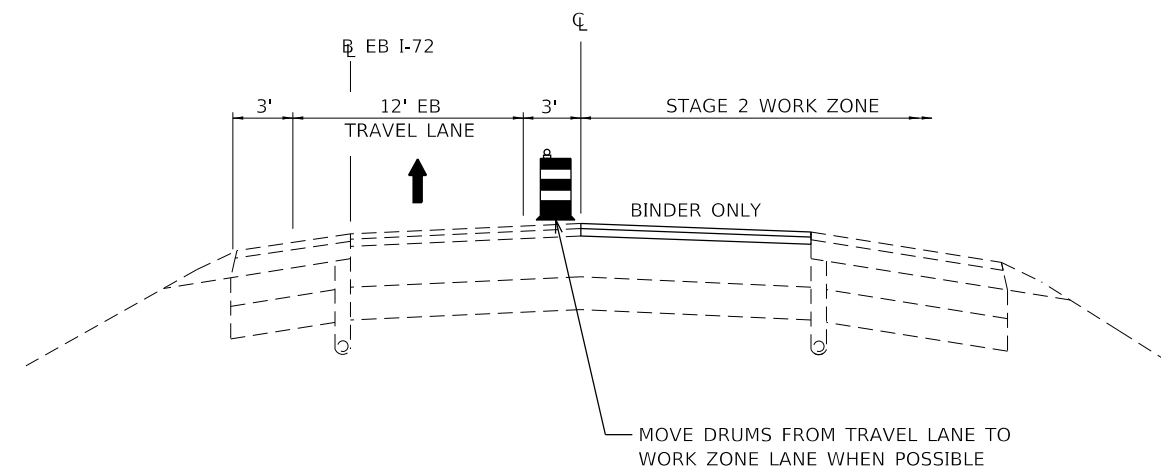
STATE OF ILLINOIS
DEPARTMENT OF TRANSPORTATION

| | | | |
|-------------------------------|-------|----|---------|
| MAINTENANCE OF TRAFFIC | | | |
| I-172 STAGE 1 | | | |
| SCALE: 1" = 50' | SHEET | OF | SHEETS |
| | STA. | | TO STA. |

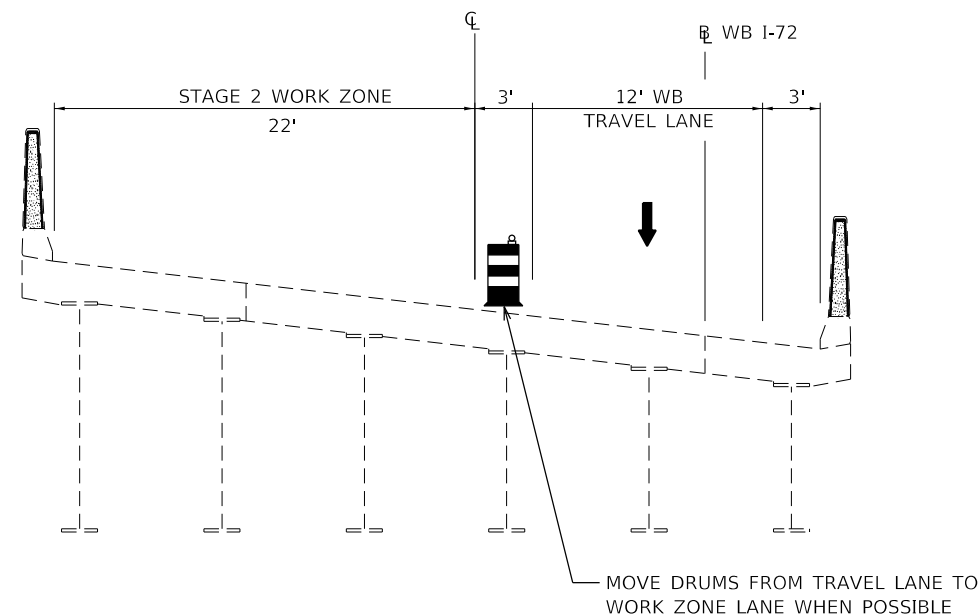
| F.A.I. RTE. | SECTION | COUNTY | TOTAL SHEETS | SHEET NO. |
|---------------------------|------------------|--------|--------------|-----------|
| 72 | (75-1-1)RS-2,BRR | PIKE | 82 | 47 |
| CONTRACT NO. 72J98 | | | | |
| ILLINOIS FED. AID PROJECT | | | | |



STAGE 2 TYPICAL I-72 WB



STAGE 2 TYPICAL I-72 EB



STAGE 2 TYPICAL SN 075-0130 WB

STAGE 2

TRAFFIC

I-72 - MAINTAIN ONE LANE OF TRAFFIC IN BOTH WB AND EB DIRECTIONS.

RAMP A - TO BE CLOSED AND TRAFFIC TO BE DETOURED. SEE DETOUR PLANS.

ROADWAY CONSTRUCTION

I-72 - CONSTRUCT WB DRIVING LANE BINDER AND MILL SHOULDER AND EB DRIVING LANE BINDER AND MILL SHOULDER.

RAMP A - CONSTRUCT RAMP PAVEMENT BINDER AND MILL SHOULDER.

SEE PROPOSED TYPICAL SECTION SHEETS AND SPECIAL PROVISIONS FOR DETAILED INFORMATION.

PRIMARY IDOT STANDARDS THIS STAGE

701400, 701401, 701451, 701901
(SEE SPECIAL PROVISIONS FOR ADDITIONAL APPLICABLE STANDARDS)

MODEL: Default
FILE: I-72_075-0130_BRR.dwg

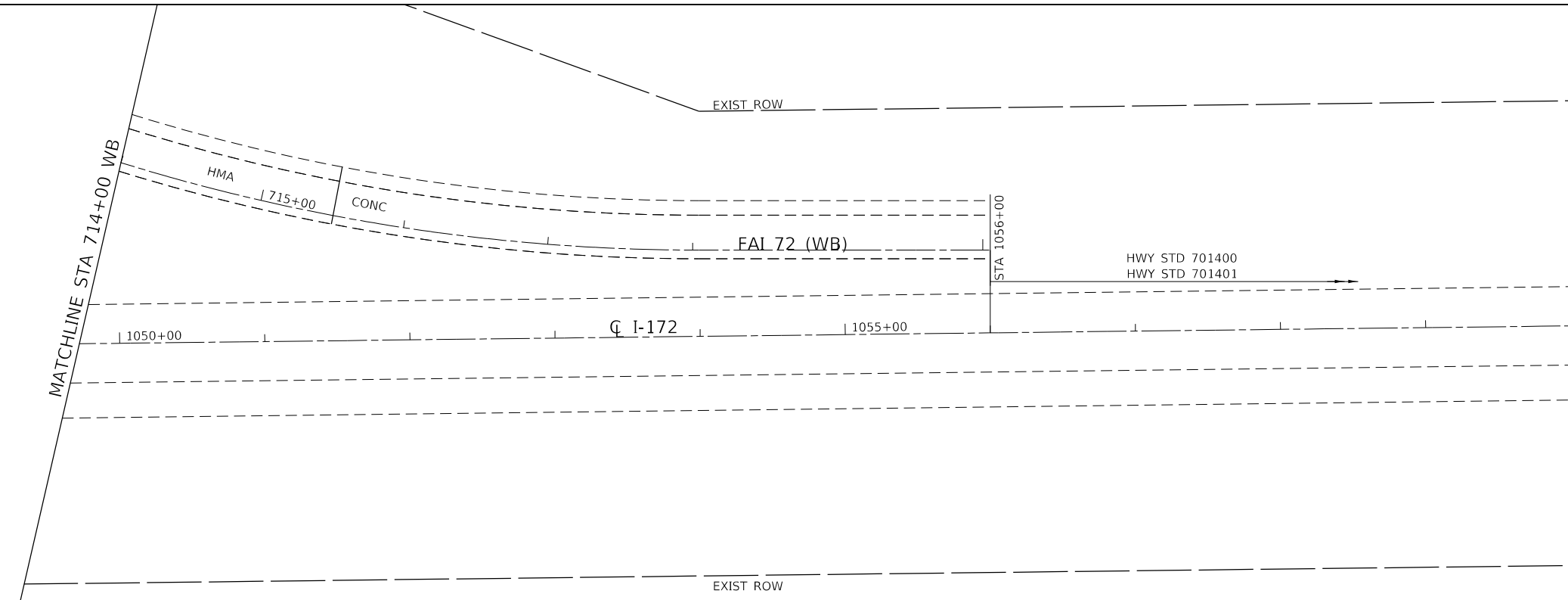
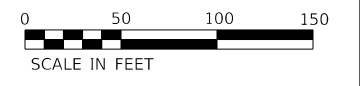
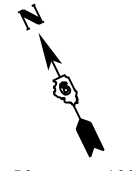
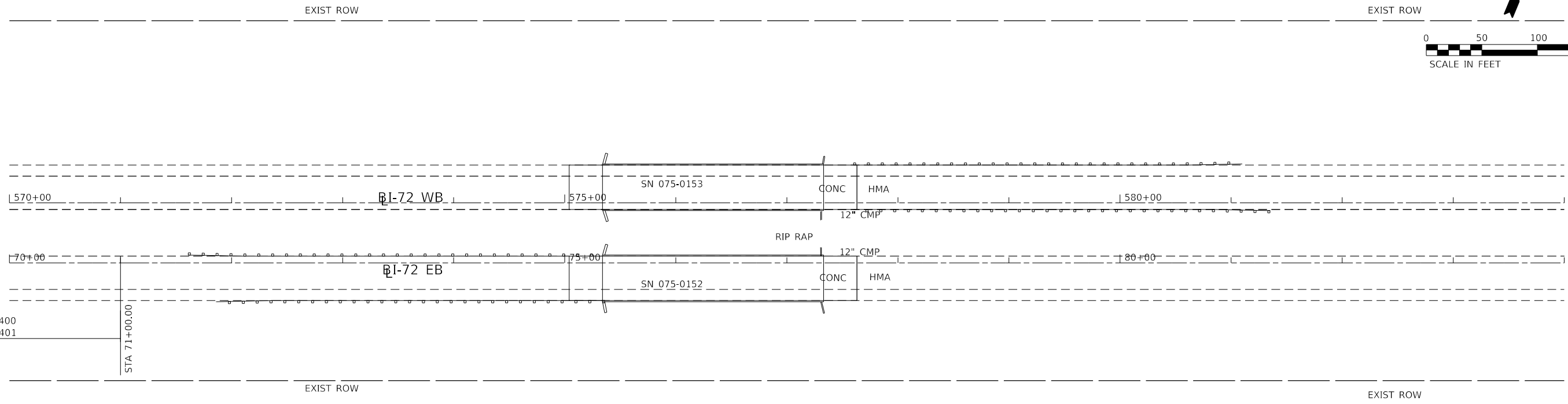
| | | |
|------------------------------------|------------|-----------|
| USER NAME = bemery | DESIGNED - | REVISED - |
| | DRAWN - | REVISED - |
| PLOT SCALE = 100.0000' / in. | CHECKED - | REVISED - |
| PLOT DATE = 7/25/2018 - 2:03:48 PM | DATE - | REVISED - |

**STATE OF ILLINOIS
DEPARTMENT OF TRANSPORTATION**

**MAINTENANCE OF TRAFFIC
I-72 STAGE 2**

SCALE: N.T.S. SHEET OF SHEETS STA. TO STA.

| F.A.I. RTE. | SECTION | COUNTY | TOTAL SHEETS | SHEET NO. |
|---------------------------|------------------|--------|--------------|-----------|
| 72 | (75-1-1)RS-2,BRR | PIKE | 82 | 48 |
| CONTRACT NO. 72J98 | | | | |
| ILLINOIS FED. AID PROJECT | | | | |



MODEL: Default
 FILE: \\nwr\p\72\98-514-3000\2.dwg

| | | |
|------------------------------------|------------|-----------|
| USER NAME = bemery | DESIGNED - | REVISED - |
| | DRAWN - | REVISED - |
| PLOT SCALE = 100.0000' / in. | CHECKED - | REVISED - |
| PLOT DATE = 7/25/2018 - 2:03:48 PM | DATE - | REVISED - |

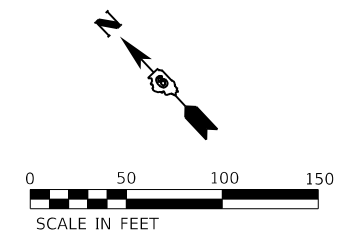
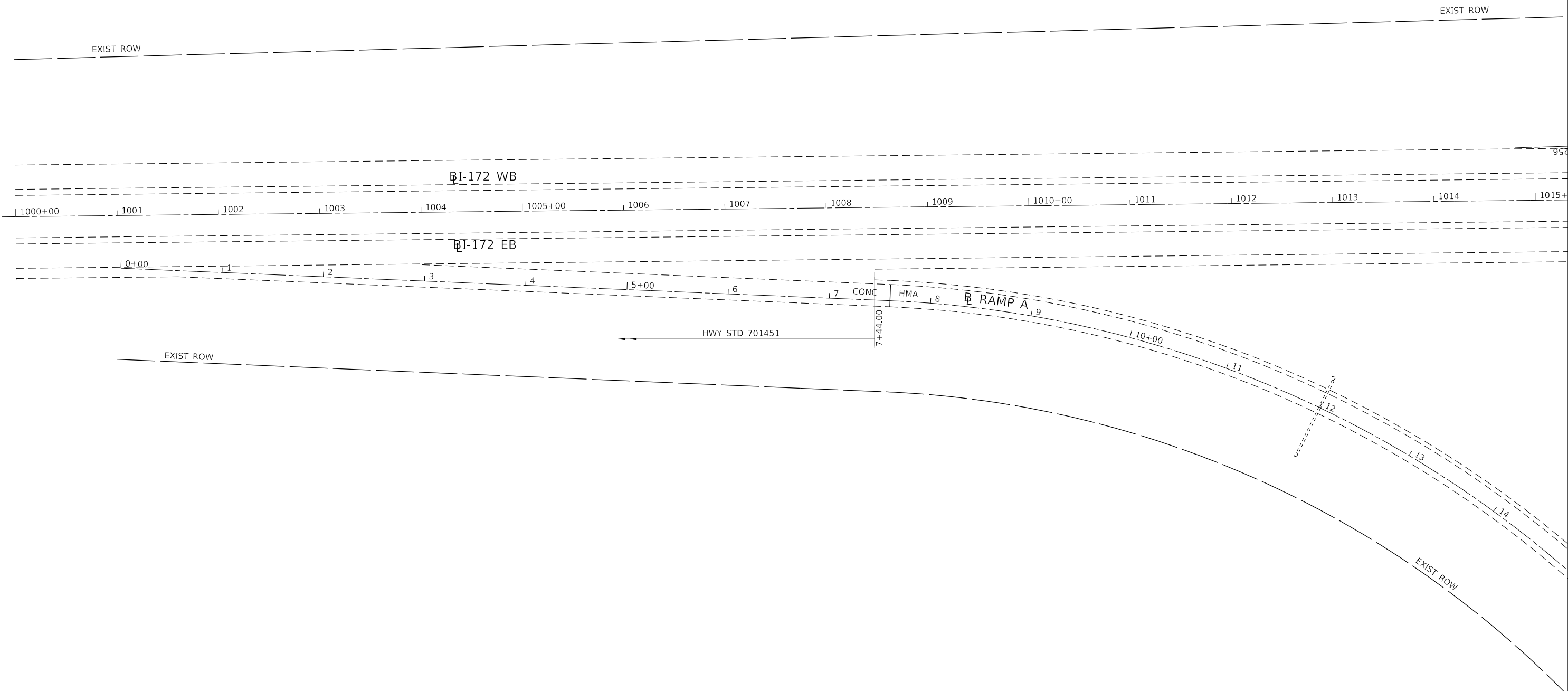
STATE OF ILLINOIS
DEPARTMENT OF TRANSPORTATION

MAINTENANCE OF TRAFFIC
I-72 (WB & EB) STAGE 2

SCALE: 1" = 50' SHEET OF SHEETS STA. TO STA.

| F.A.I. RTE. | SECTION | COUNTY | TOTAL SHEETS | SHEET NO. |
|---------------------------|------------------|--------|--------------|-----------|
| 72 | (75-1-1)RS-2,BRR | PIKE | 82 | 49 |
| CONTRACT NO. 72J98 | | | | |
| ILLINOIS FED. AID PROJECT | | | | |

MODEL: Default
 FILE NAME: ...000672198-PIKE-2.dwg



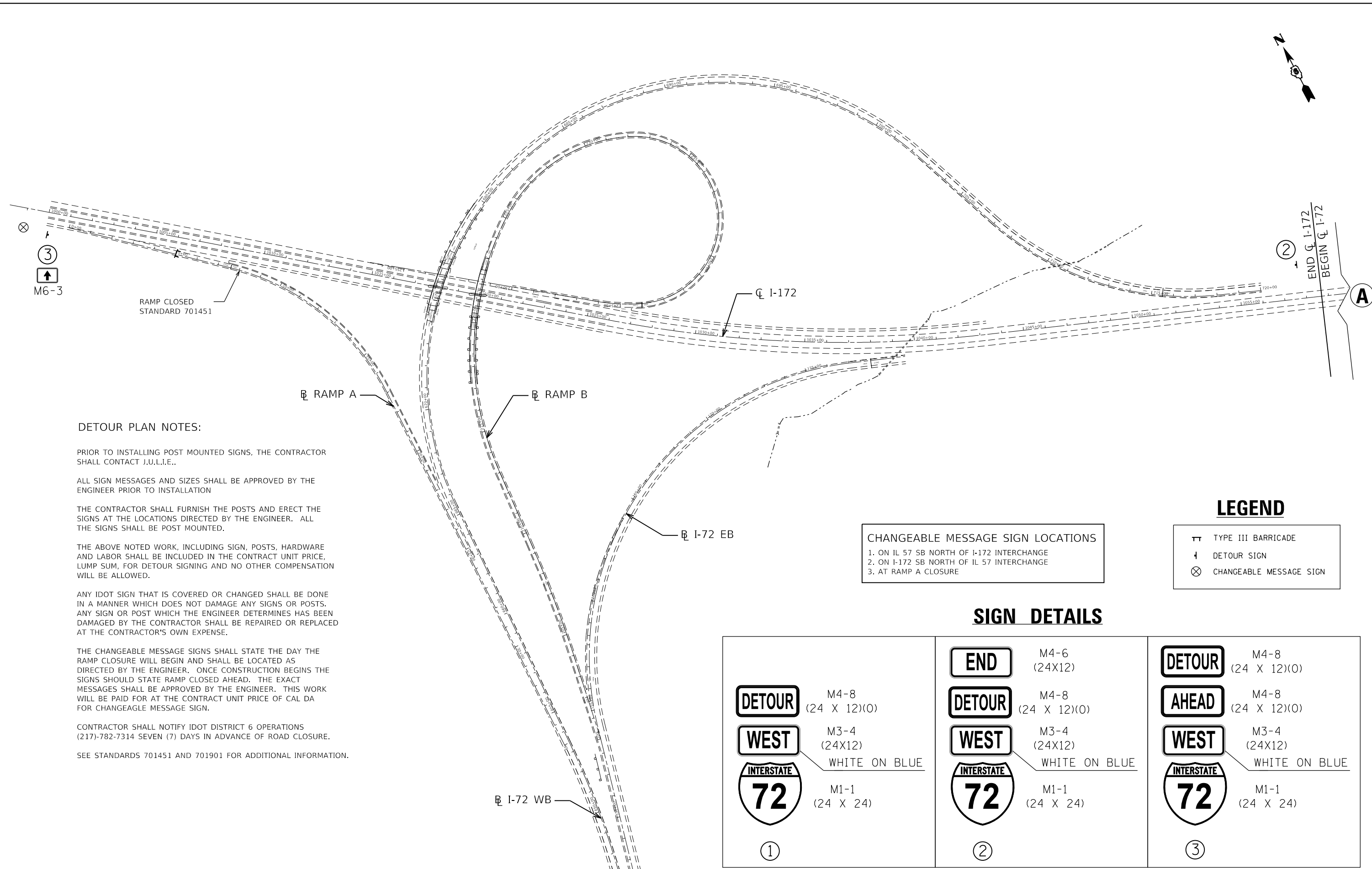
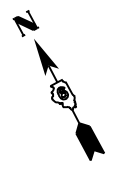
| | | |
|------------------------------------|------------|-----------|
| USER NAME = bemery | DESIGNED - | REVISED - |
| | DRAWN - | REVISED - |
| PLOT SCALE = 100.0000' / in. | CHECKED - | REVISED - |
| PLOT DATE = 7/25/2018 - 2:03:48 PM | DATE - | REVISED - |

**STATE OF ILLINOIS
 DEPARTMENT OF TRANSPORTATION**

**MAINTENANCE OF TRAFFIC
 I-172 EB /RAMP A STAGE 2**

SCALE: 1" = 50' SHEET OF SHEETS STA. TO STA.

| F.A.I. RTE. | SECTION | COUNTY | TOTAL SHEETS | SHEET NO. |
|---------------------------|------------------|--------|--------------|-----------|
| 72 | (75-1-1)RS-2,BRR | PIKE | 82 | 50 |
| CONTRACT NO. 72J98 | | | | |
| ILLINOIS FED. AID PROJECT | | | | |



DETOUR PLAN NOTES:

PRIOR TO INSTALLING POST MOUNTED SIGNS, THE CONTRACTOR SHALL CONTACT J.U.L.I.E..

ALL SIGN MESSAGES AND SIZES SHALL BE APPROVED BY THE ENGINEER PRIOR TO INSTALLATION

THE CONTRACTOR SHALL FURNISH THE POSTS AND ERECT THE SIGNS AT THE LOCATIONS DIRECTED BY THE ENGINEER. ALL THE SIGNS SHALL BE POST MOUNTED.

THE ABOVE NOTED WORK, INCLUDING SIGN, POSTS, HARDWARE AND LABOR SHALL BE INCLUDED IN THE CONTRACT UNIT PRICE, LUMP SUM, FOR DETOUR SIGNING AND NO OTHER COMPENSATION WILL BE ALLOWED.

ANY IDOT SIGN THAT IS COVERED OR CHANGED SHALL BE DONE IN A MANNER WHICH DOES NOT DAMAGE ANY SIGNS OR POSTS. ANY SIGN OR POST WHICH THE ENGINEER DETERMINES HAS BEEN DAMAGED BY THE CONTRACTOR SHALL BE REPAIRED OR REPLACED AT THE CONTRACTOR'S OWN EXPENSE.

THE CHANGEABLE MESSAGE SIGNS SHALL STATE THE DAY THE RAMP CLOSURE WILL BEGIN AND SHALL BE LOCATED AS DIRECTED BY THE ENGINEER. ONCE CONSTRUCTION BEGINS THE SIGNS SHOULD STATE RAMP CLOSED AHEAD. THE EXACT MESSAGES SHALL BE APPROVED BY THE ENGINEER. THIS WORK WILL BE PAID FOR AT THE CONTRACT UNIT PRICE OF CAL DA FOR CHANGEABLE MESSAGE SIGN.

CONTRACTOR SHALL NOTIFY IDOT DISTRICT 6 OPERATIONS (217)-782-7314 SEVEN (7) DAYS IN ADVANCE OF ROAD CLOSURE.

SEE STANDARDS 701451 AND 701901 FOR ADDITIONAL INFORMATION.

LEGEND

- TYPE III BARRICADE
- DETOUR SIGN
- CHANGEABLE MESSAGE SIGN

- CHANGEABLE MESSAGE SIGN LOCATIONS**
1. ON IL 57 SB NORTH OF I-172 INTERCHANGE
 2. ON I-172 SB NORTH OF IL 57 INTERCHANGE
 3. AT RAMP A CLOSURE

SIGN DETAILS

| | | |
|--|---|--|
| 1 | 2 | 3 |
| <p>DETOUR M4-8 (24 X 12)(0)</p> <p>WEST M3-4 (24X12)</p> <p>INTERSTATE 72 M1-1 (24 X 24)</p> <p>WHITE ON BLUE</p> | <p>END M4-6 (24X12)</p> <p>DETOUR M4-8 (24 X 12)(0)</p> <p>WEST M3-4 (24X12)</p> <p>INTERSTATE 72 M1-1 (24 X 24)</p> <p>WHITE ON BLUE</p> | <p>DETOUR M4-8 (24 X 12)(0)</p> <p>AHEAD M4-8 (24 X 12)(0)</p> <p>WEST M3-4 (24X12)</p> <p>INTERSTATE 72 M1-1 (24 X 24)</p> <p>WHITE ON BLUE</p> |

MODEL: Default
FILE: Name: ...03067298-Pln-detour.dgn

| | | |
|------------------------------------|------------|-----------|
| USER NAME = bemyr | DESIGNED - | REVISED - |
| | DRAWN - | REVISED - |
| PLOT SCALE = 400.0000' / in. | CHECKED - | REVISED - |
| PLOT DATE = 7/25/2018 - 2:04:16 PM | DATE - | REVISED - |

**STATE OF ILLINOIS
DEPARTMENT OF TRANSPORTATION**

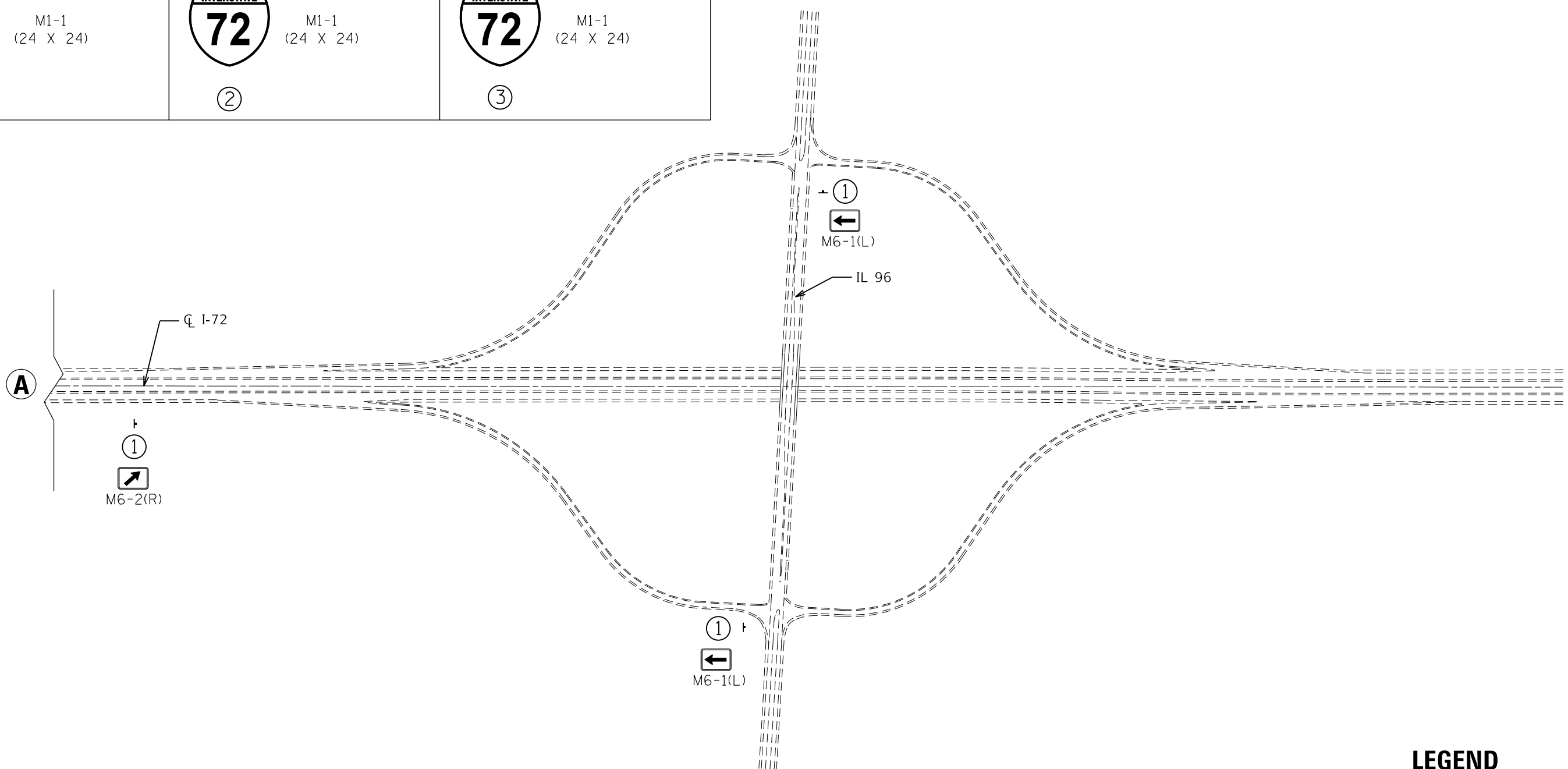
| | | | |
|-------------------------------|-------|-----------|--------------|
| DETOUR PLAN RAMP A | | | |
| SCALE: N.T.S. | SHEET | OF SHEETS | STA. TO STA. |

| | | | | |
|---------------------------|------------------|--------|--------------|-----------|
| F.A.I. RTE. | SECTION | COUNTY | TOTAL SHEETS | SHEET NO. |
| 72 | (75-1-1)RS-2,BRR | PIKE | 82 | 51 |
| CONTRACT NO. 72J98 | | | | |
| ILLINOIS FED. AID PROJECT | | | | |

SIGN DETAILS



| | | |
|--|--|---|
| ① | ② | ③ |
| M4-8 (24 X 12)(0) M3-4 (24X12) WHITE ON BLUE M1-1 (24 X 24) | M4-6 (24X12) M4-8 (24 X 12)(0) M3-4 (24X12) WHITE ON BLUE M1-1 (24 X 24) | M4-8 (24 X 12)(0) M4-8 (24 X 12)(0) M3-4 (24X12) WHITE ON BLUE M1-1 (24 X 24) |



LEGEND

| | |
|--|-------------------------|
| | TYPE III BARRICADE |
| | DETOUR SIGN |
| | CHANGEABLE MESSAGE SIGN |

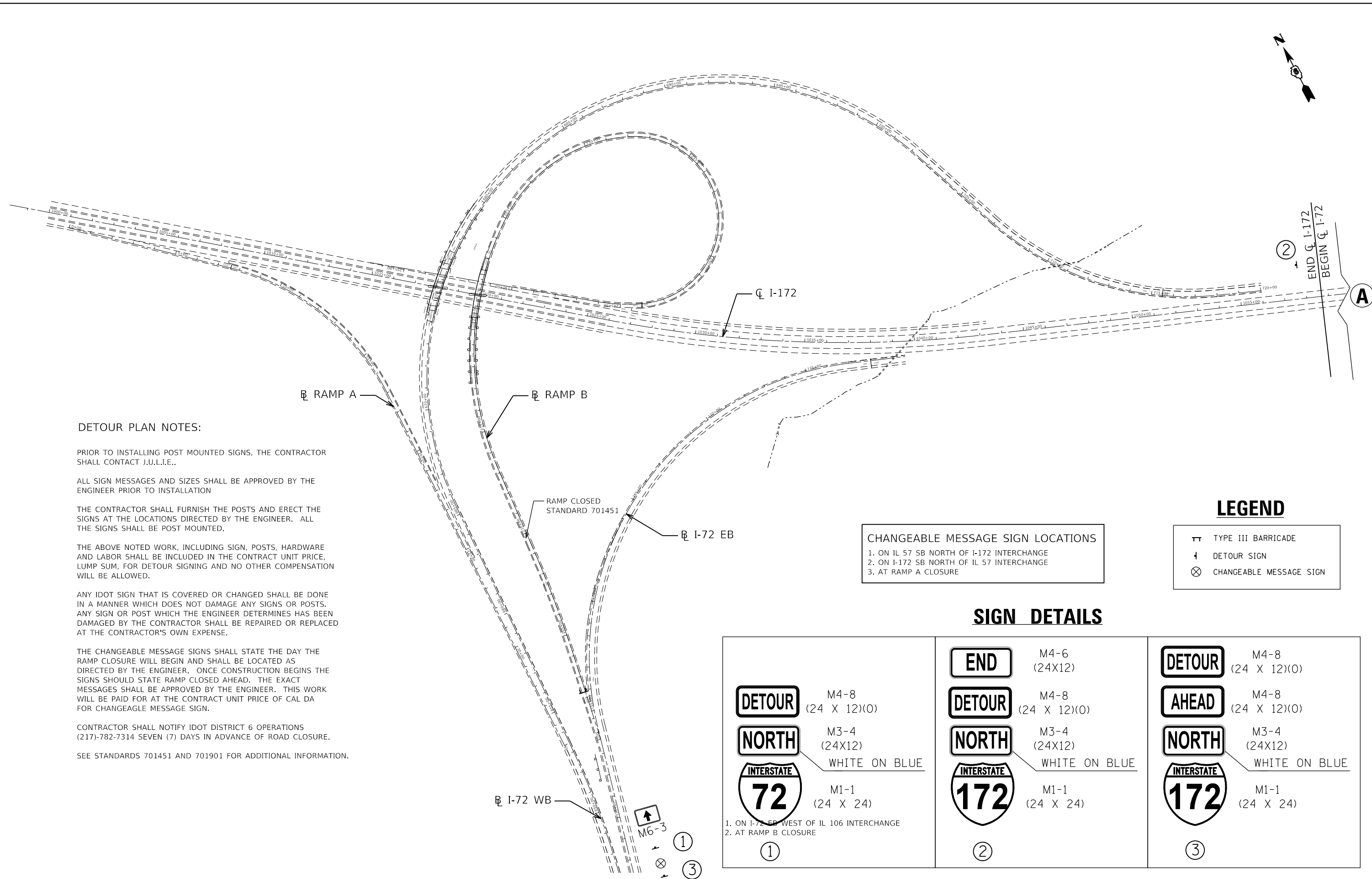
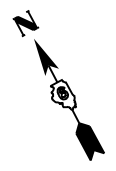
MODEL: Default
 FILE: N:\mfrs_03\072198-plc-detour.dgn

| | | |
|------------------------------------|------------|-----------|
| USER NAME = bemery | DESIGNED - | REVISED - |
| | DRAWN - | REVISED - |
| PLOT SCALE = 400,0000 ' / in. | CHECKED - | REVISED - |
| PLOT DATE = 7/25/2018 - 2:04:17 PM | DATE - | REVISED - |

STATE OF ILLINOIS
DEPARTMENT OF TRANSPORTATION

| | |
|--------------------|------------------------------|
| DETOUR PLAN | |
| RAMP A | |
| SCALE: N.T.S. | SHEET OF SHEETS STA. TO STA. |

| F.A.I. RTE. | SECTION | COUNTY | TOTAL SHEETS | SHEET NO. |
|---------------------------|------------------|--------|--------------|-----------|
| 72 | (75-1-1)RS-2,BRR | PIKE | 82 | 52 |
| CONTRACT NO. 72J98 | | | | |
| ILLINOIS FED. AID PROJECT | | | | |



DETOUR PLAN NOTES:

PRIOR TO INSTALLING POST MOUNTED SIGNS, THE CONTRACTOR SHALL CONTACT J.U.L.I.E..

ALL SIGN MESSAGES AND SIZES SHALL BE APPROVED BY THE ENGINEER PRIOR TO INSTALLATION

THE CONTRACTOR SHALL FURNISH THE POSTS AND ERECT THE SIGNS AT THE LOCATIONS DIRECTED BY THE ENGINEER. ALL THE SIGNS SHALL BE POST MOUNTED.

THE ABOVE NOTED WORK, INCLUDING SIGN, POSTS, HARDWARE AND LABOR SHALL BE INCLUDED IN THE CONTRACT UNIT PRICE, LUMP SUM, FOR DETOUR SIGNING AND NO OTHER COMPENSATION WILL BE ALLOWED.

ANY IDOT SIGN THAT IS COVERED OR CHANGED SHALL BE DONE IN A MANNER WHICH DOES NOT DAMAGE ANY SIGNS OR POSTS. ANY SIGN OR POST WHICH THE ENGINEER DETERMINES HAS BEEN DAMAGED BY THE CONTRACTOR SHALL BE REPAIRED OR REPLACED AT THE CONTRACTOR'S OWN EXPENSE.

THE CHANGEABLE MESSAGE SIGNS SHALL STATE THE DAY THE RAMP CLOSURE WILL BEGIN AND SHALL BE LOCATED AS DIRECTED BY THE ENGINEER. ONCE CONSTRUCTION BEGINS THE SIGNS SHOULD STATE RAMP CLOSED AHEAD. THE EXACT MESSAGES SHALL BE APPROVED BY THE ENGINEER. THIS WORK WILL BE PAID FOR AT THE CONTRACT UNIT PRICE OF CAL DA FOR CHANGEABLE MESSAGE SIGN.

CONTRACTOR SHALL NOTIFY IDOT DISTRICT 6 OPERATIONS (217)-782-7314 SEVEN (7) DAYS IN ADVANCE OF ROAD CLOSURE.

SEE STANDARDS 701451 AND 701901 FOR ADDITIONAL INFORMATION.

RAMP CLOSED STANDARD 701451

CHANGEABLE MESSAGE SIGN LOCATIONS
 1. ON IL 57 SB NORTH OF I-172 INTERCHANGE
 2. ON I-172 SB NORTH OF IL 57 INTERCHANGE
 3. AT RAMP A CLOSURE

LEGEND

- ⊣ TYPE III BARRICADE
- ↑ DETOUR SIGN
- ⊗ CHANGEABLE MESSAGE SIGN

SIGN DETAILS

| | | |
|---|--|---|
| 1. ON I-72 EB WEST OF IL 106 INTERCHANGE 2. AT RAMP B CLOSURE | 2. | 3. |
| DETOUR M4-8 (24 X 12)(0) NORTH M3-4 (24X12) INTERSTATE 72 M1-1 (24 X 24) WHITE ON BLUE | END M4-6 (24X12) DETOUR M4-8 (24 X 12)(0) NORTH M3-4 (24X12) INTERSTATE 172 M1-1 (24 X 24) WHITE ON BLUE | DETOUR M4-8 (24 X 12)(0) AHEAD M4-8 (24 X 12)(0) NORTH M3-4 (24X12) INTERSTATE 172 M1-1 (24 X 24) WHITE ON BLUE |

MODEL: Default
 FILE: Name: ...03067298-Pln-detour.dgn

| | | |
|------------------------------------|------------|-----------|
| USER NAME = bemery | DESIGNED - | REVISED - |
| PLOT SCALE = 400.0000 ' / in. | DRAWN - | REVISED - |
| PLOT DATE = 7/25/2018 - 2:04:17 PM | CHECKED - | REVISED - |
| | DATE - | REVISED - |

STATE OF ILLINOIS
DEPARTMENT OF TRANSPORTATION

DETOUR PLAN
RAMP B

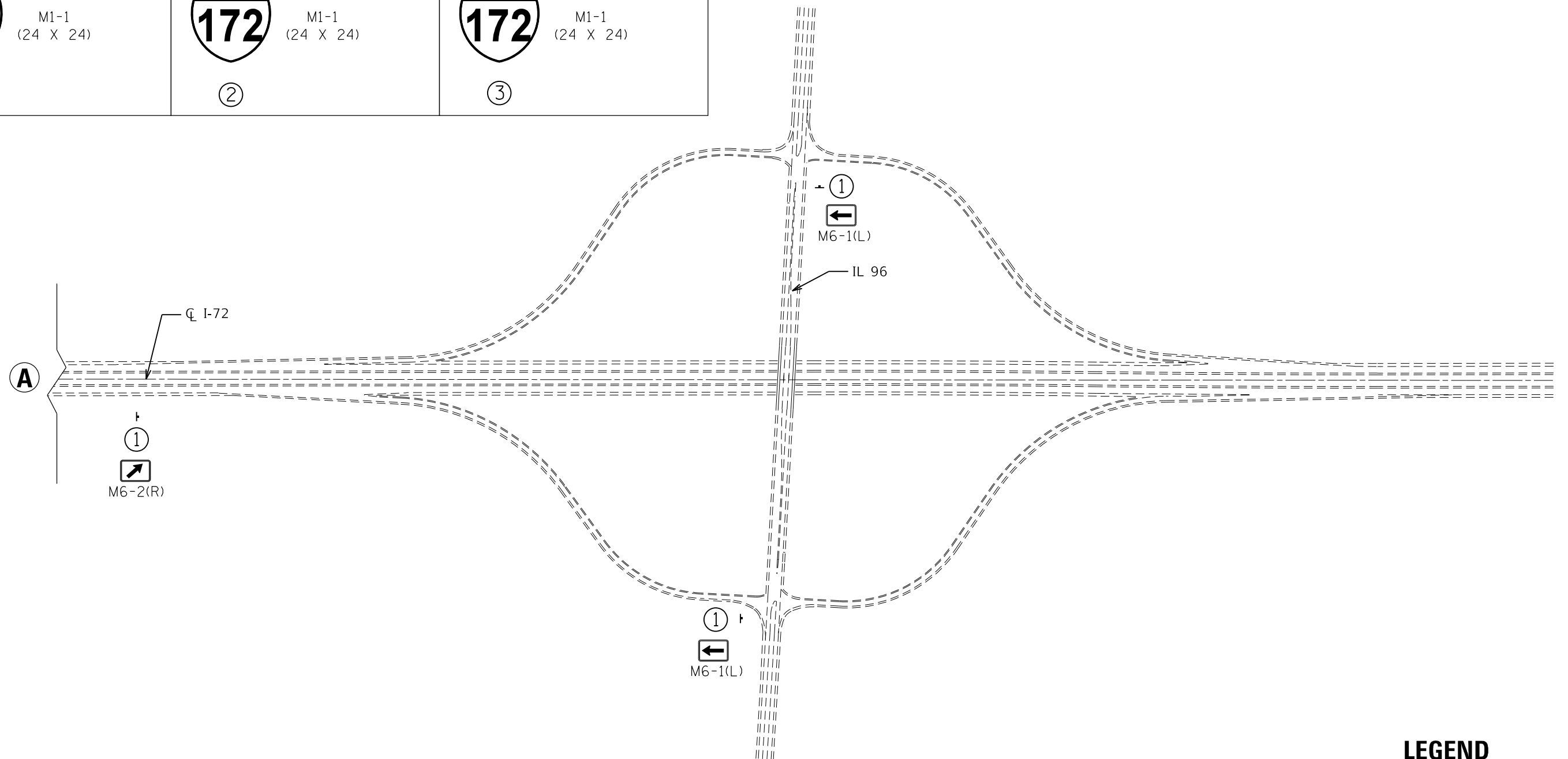
SCALE: N.T.S. SHEET OF SHEETS STA. TO STA.

| F.A.I. RTE. | SECTION | COUNTY | TOTAL SHEETS | SHEET NO. |
|---------------------------|------------------|--------|--------------|-----------|
| 72 | (75-1-1)RS-2,BRR | PIKE | 82 | 53 |
| CONTRACT NO. 72J98 | | | | |
| ILLINOIS FED. AID PROJECT | | | | |

SIGN DETAILS



| | | |
|--|---|--|
| ① | ② | ③ |
| DETOUR M4-8 (24 X 12)(0) NORTH M3-4 (24X12) WHITE ON BLUE INTERSTATE 72 M1-1 (24 X 24) | END M4-6 (24X12) DETOUR M4-8 (24 X 12)(0) NORTH M3-4 (24X12) WHITE ON BLUE INTERSTATE 172 M1-1 (24 X 24) | DETOUR M4-8 (24 X 12)(0) AHEAD M4-8 (24 X 12)(0) NORTH M3-4 (24X12) WHITE ON BLUE INTERSTATE 172 M1-1 (24 X 24) |



LEGEND

| | |
|--|-------------------------|
| | TYPE III BARRICADE |
| | DETOUR SIGN |
| | CHANGEABLE MESSAGE SIGN |

MODEL: Default
 FILE: \\nhdpc01\000072\98-91c-detour.dgn

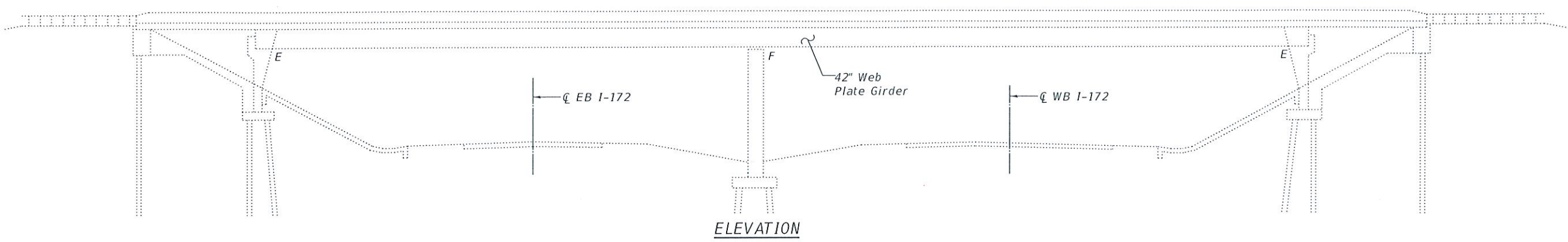
| | | |
|------------------------------------|------------|-----------|
| USER NAME = bemery | DESIGNED - | REVISED - |
| | DRAWN - | REVISED - |
| PLOT SCALE = 400,0000 ' / in. | CHECKED - | REVISED - |
| PLOT DATE = 7/25/2018 - 2:04:18 PM | DATE - | REVISED - |

STATE OF ILLINOIS
DEPARTMENT OF TRANSPORTATION

DETOUR PLAN RAMP B

SCALE: N.T.S. SHEET OF SHEETS STA. TO STA.

| F.A.I. RTE. | SECTION | COUNTY | TOTAL SHEETS | SHEET NO. |
|---------------------------|------------------|--------|--------------|-----------|
| 72 | (75-1-1)RS-2,BRR | PIKE | 82 | 54 |
| CONTRACT NO. 72J98 | | | | |
| ILLINOIS FED. AID PROJECT | | | | |



ELEVATION

General Notes

Reinforcement bars designated (E) shall be epoxy coated.

Plan dimensions and details relative to existing plans are subject to nominal construction variations. The Contractor shall field verify existing dimensions and details affecting new construction and make necessary approved adjustments prior to construction or ordering of materials. Such variations shall not be cause for additional compensation for a change in scope of the work, however, the Contractor will be paid for the quantity actually furnished at the unit price bid for the work.

Any reinforcement bars that are damaged during concrete removal operations shall be repaired or replaced using an approved bar splicer or anchorage system. Cost included with "Concrete Removal".

Index of Sheets

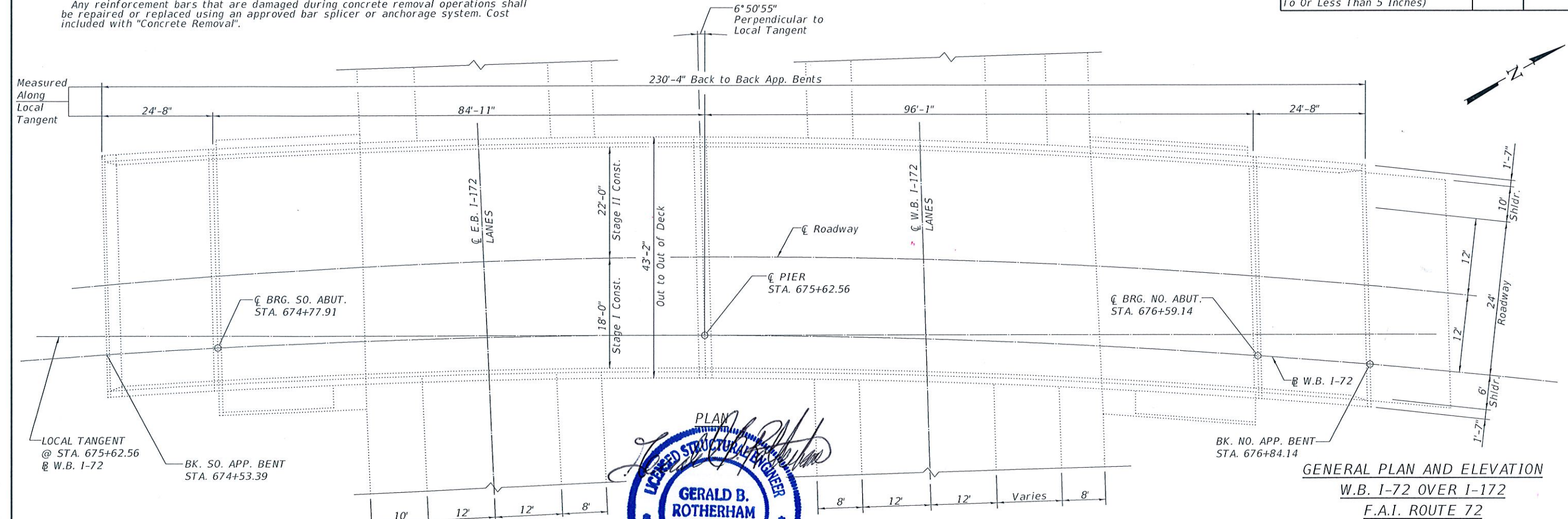
1. General Plan and Elevation
2. Stage Construction Details
3. Approach Slab Repair Details
4. Abutment Repair Details
5. Pier Repair Details
6. Pier Crashwall Extension Details
7. Approach Curb Removal and Repair Details

Scope of Work

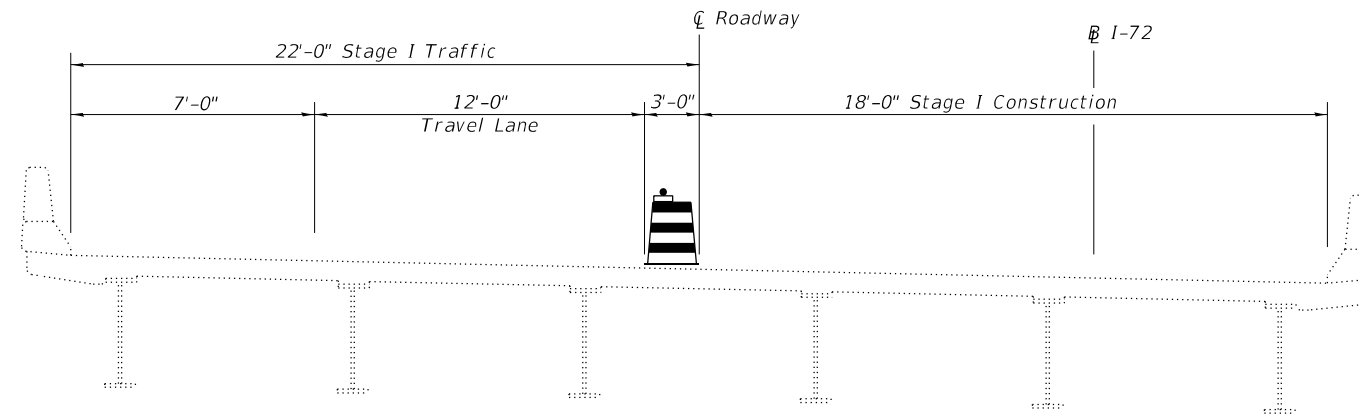
1. Approach Slab Repair
2. Approach Curb Removal and Repair
3. Substructure Repair
4. Pier Crashwall Extension

TOTAL BILL OF MATERIAL

| Item | Unit | Quantity |
|--|---------|----------|
| Concrete Removal | Cu. Yd. | 0.1 |
| Concrete Structures | Cu. Yd. | 10.4 |
| Reinforcement Bars, Epoxy Coated | Lb. | 840 |
| Approach Slab Repair (Partial Depth) | Sq. Yd. | 6.6 |
| Structural Repair of Concrete (Depth Equal To Or Less Than 5 Inches) | Sq. Ft. | 125.0 |

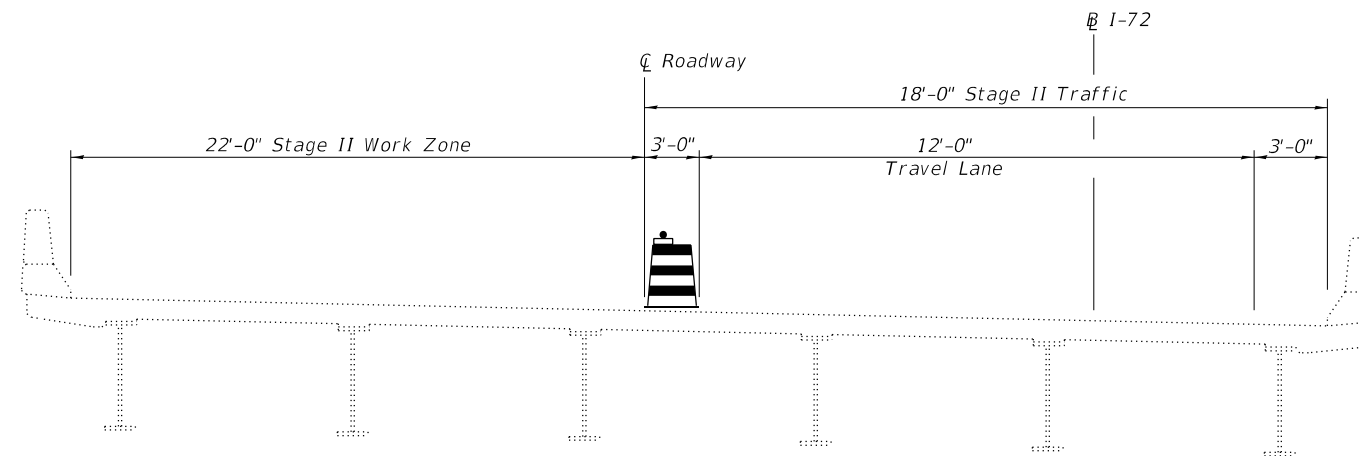


GENERAL PLAN AND ELEVATION
W.B. I-72 OVER I-172
F.A.I. ROUTE 72
SECTION (75-1-1) RS-2, BRR
PIKE COUNTY
STATION 675+62.56
STRUCTURE NO. 075-0130

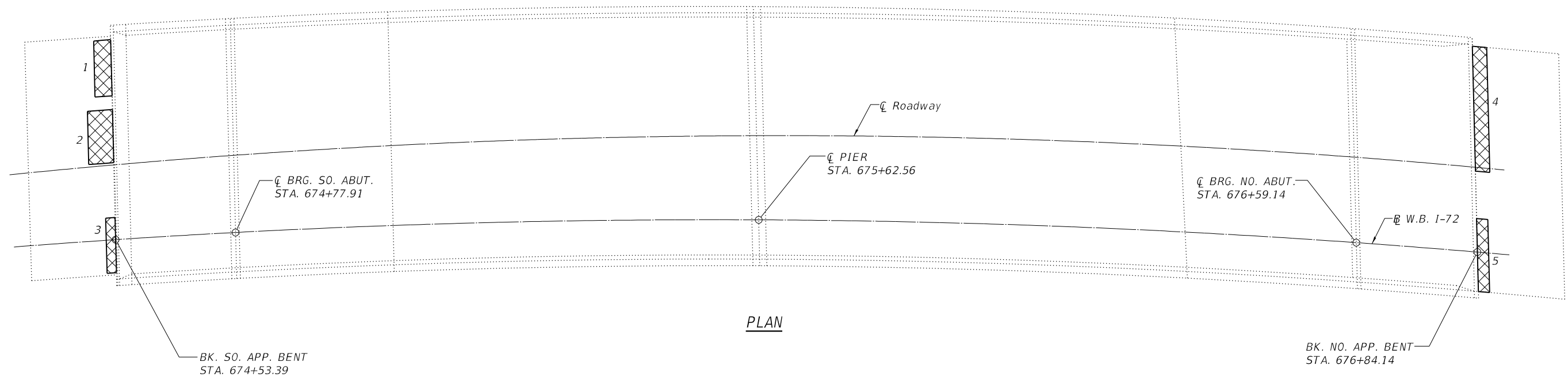
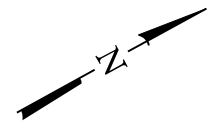


STAGE I CROSS SECTION
(Looking North)

NOTE:
See Roadway Plans for
Maintenance of Traffic Details.



STAGE II CROSS SECTION
(Looking North)



PLAN

APPROACH SLAB REPAIR (PARTIAL DEPTH)

| Patch No. | Length (ft.) | Width (ft.) | Area (Sq. Yd.) |
|-----------|--------------|-------------|----------------|
| 1 | 5'-0" | 2'-0" | 1.11 |
| 2 | 4'-0" | 3'-0" | 1.33 |
| 3 | 6'-0" | 1'-0" | 0.67 |
| 4 | 16'-0" | 1'-6" | 2.67 |
| 5 | 7'-0" | 1'-0" | 0.78 |
| Total = | | | 6.56 |

BILL OF MATERIAL

| Item | Unit | Quantity |
|--------------------------------------|---------|----------|
| Approach Slab Repair (Partial Depth) | Sq. Yd. | 6.6 |

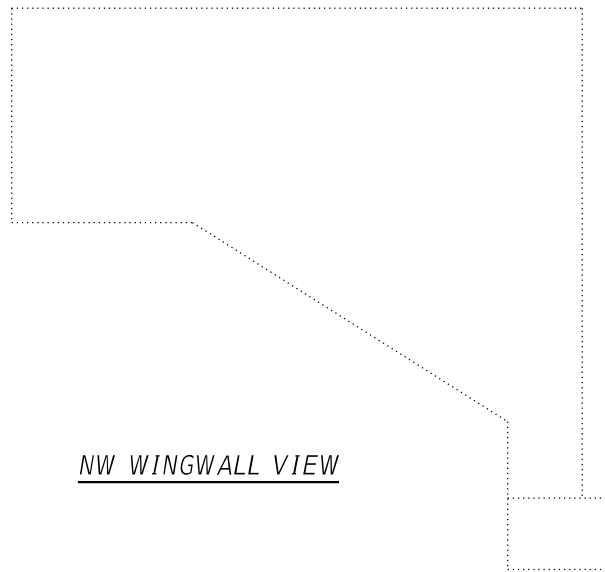
PATCHING SURVEY: 1/31/2018

NOTE:

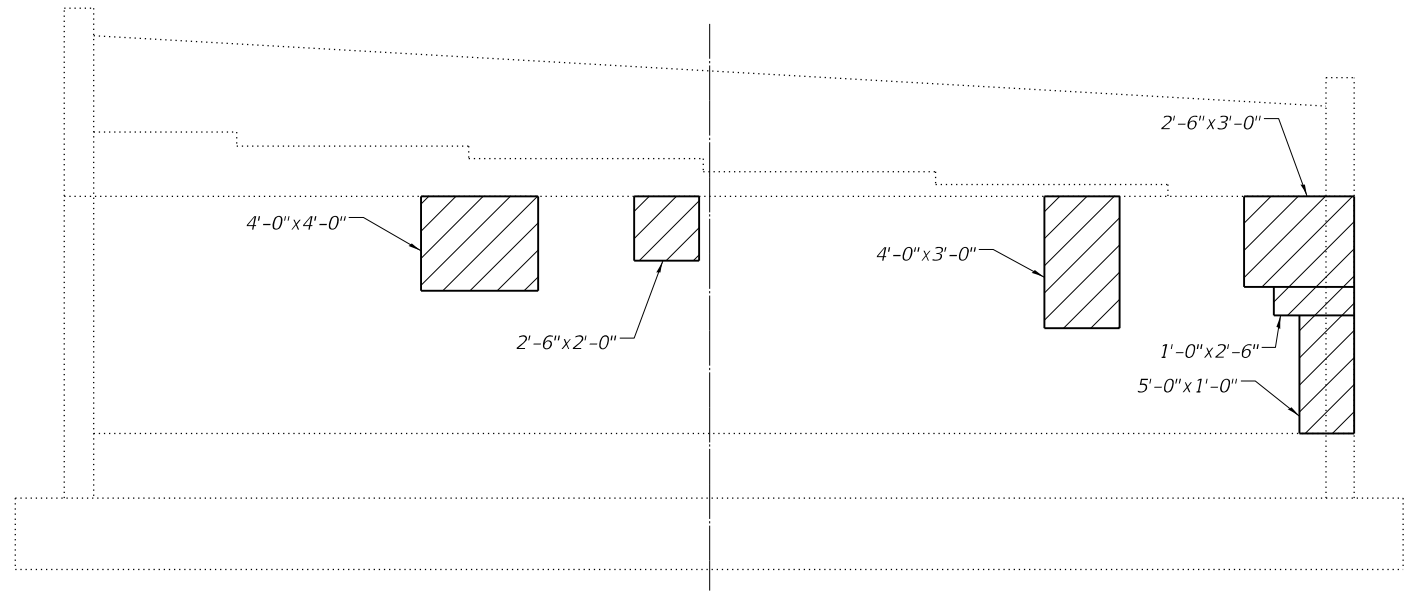
The repair areas and locations shown in the Plan View are estimated. The Engineer will determine final repair locations and quantities before slab repair operations begin.

LEGEND

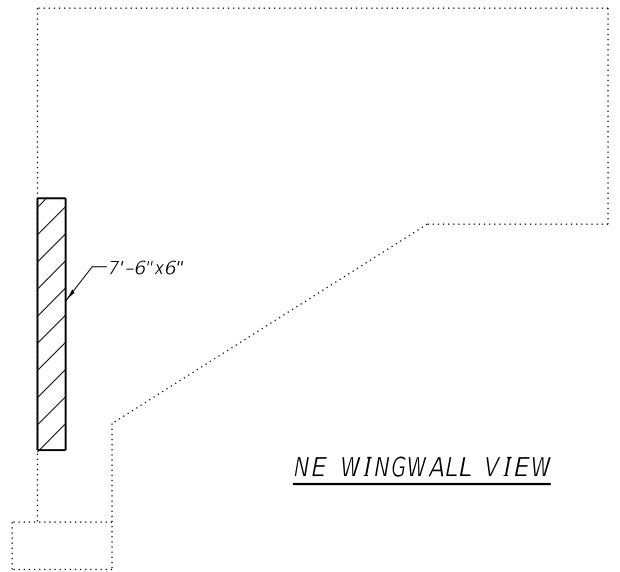
Approach Slab Repair (Partial Depth)



NW WINGWALL VIEW



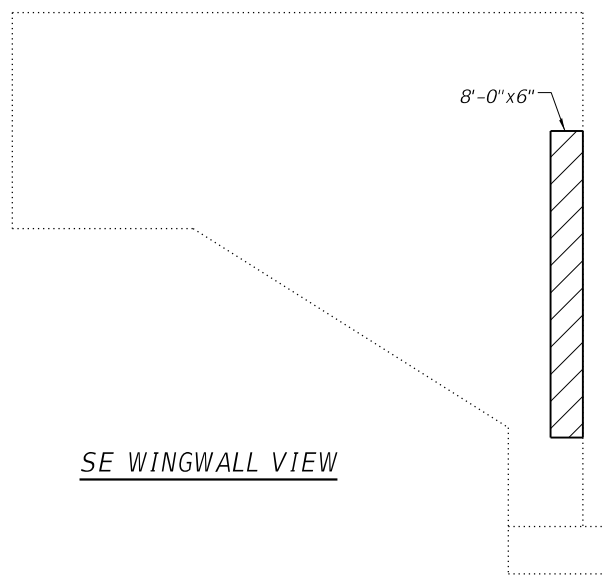
NORTH ABUTMENT ELEVATION
(Looking North)



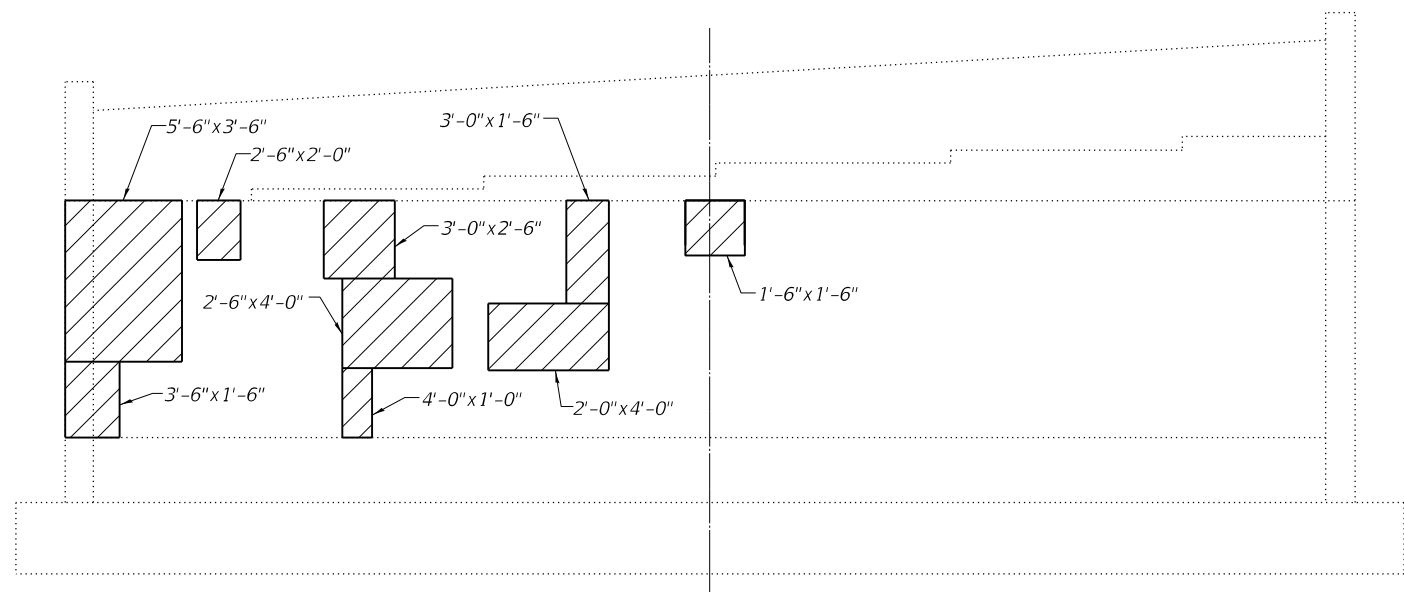
NE WINGWALL VIEW

BILL OF MATERIAL

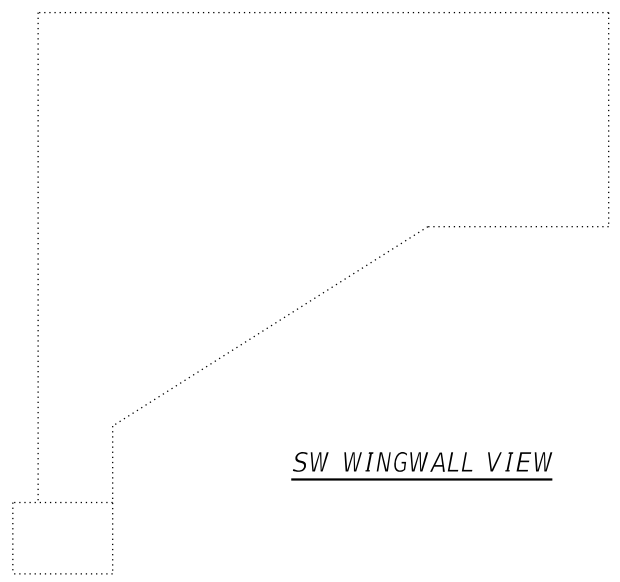
| Item | Unit | Quantity |
|--|---------|----------|
| Structural Repair of Concrete (Depth Equal To Or Less Than 5 Inches) | Sq. Ft. | 121.5 |



SE WINGWALL VIEW

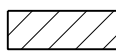


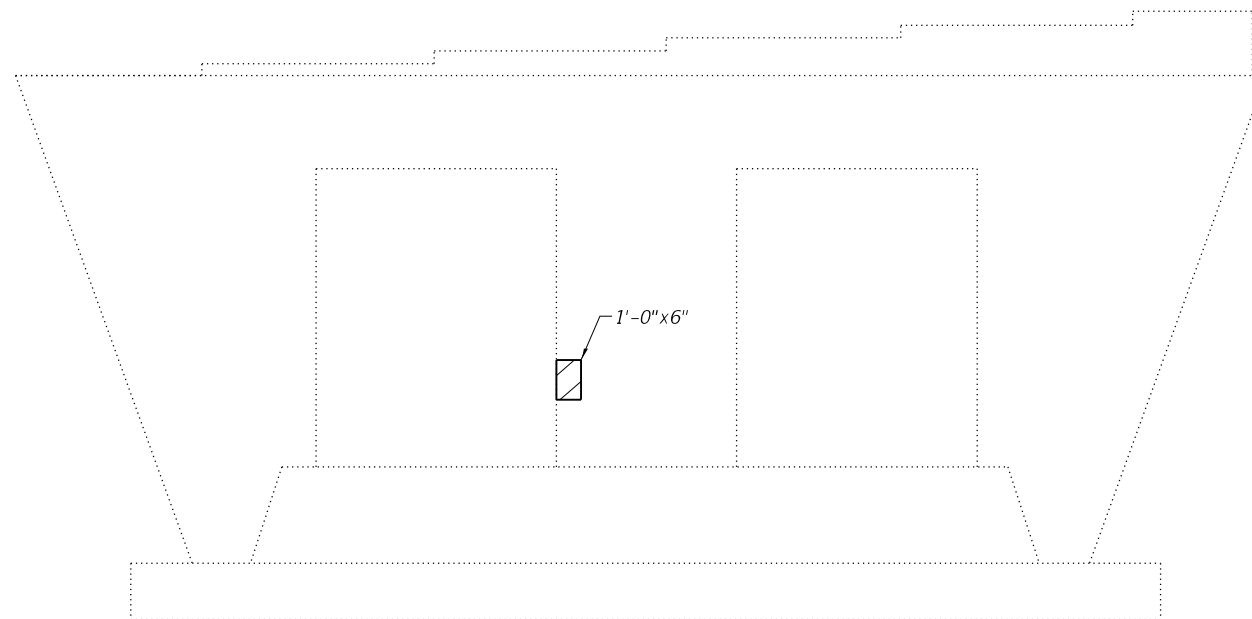
SOUTH ABUTMENT ELEVATION
(Looking South)



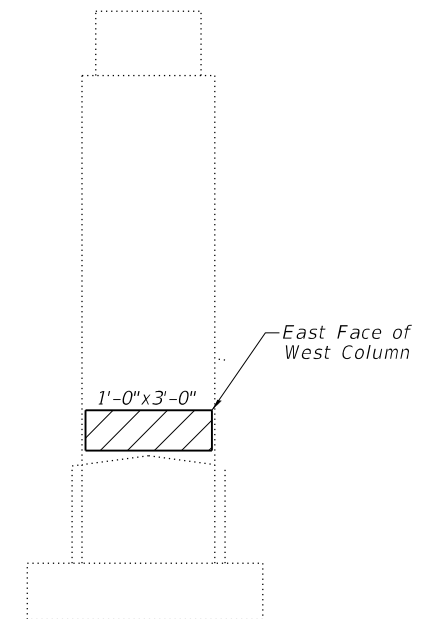
SW WINGWALL VIEW

LEGEND

 Structural Repair of Concrete (Depth Equal to or Less Than 5")



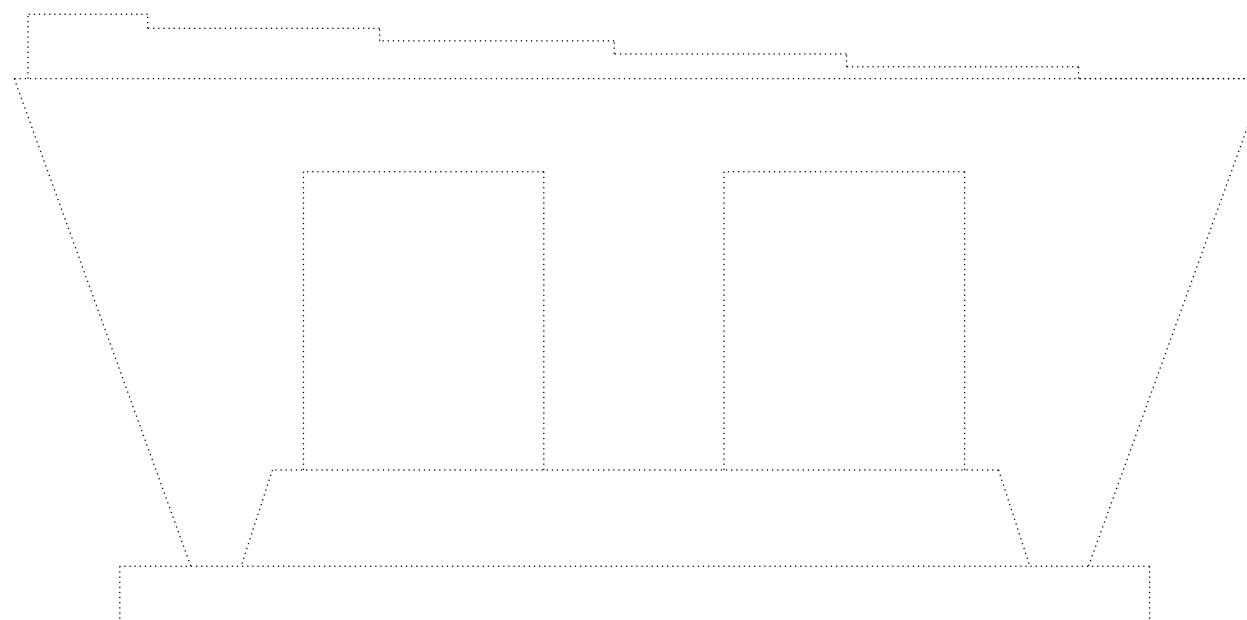
PIER ELEVATION
(Looking South)



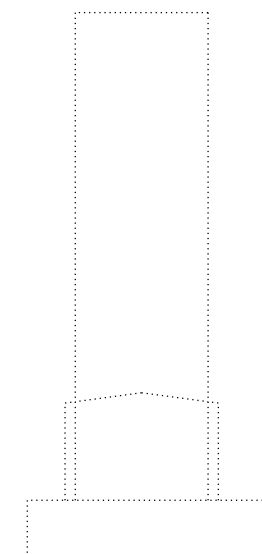
END VIEW
(Looking East)

BILL OF MATERIAL

| Item | Unit | Quantity |
|--|---------|----------|
| Structural Repair of Concrete (Depth Equal To Or Less Than 5 Inches) | Sq. Ft. | 3.5 |




PIER ELEVATION
(Looking North)



END VIEW
(Looking West)

LEGEND

 Structural Repair of Concrete (Depth Equal to or Less Than 5")

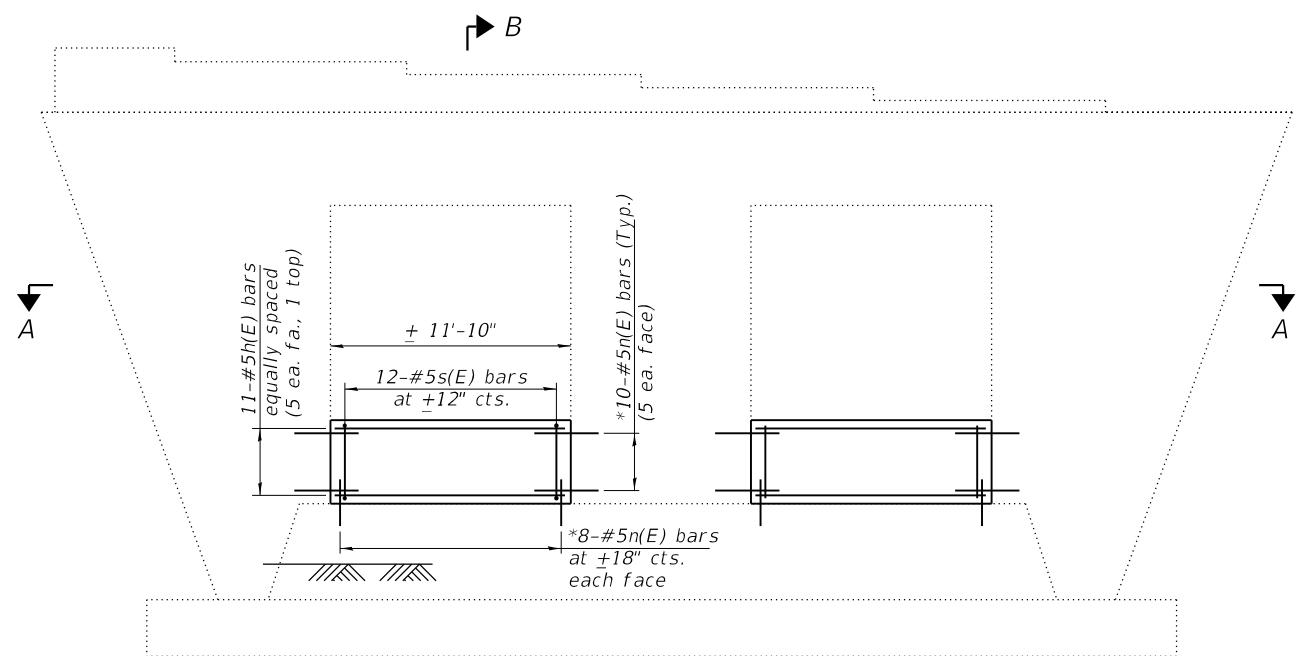
| | | | |
|---|-----------------------|----------------|-----------|
| FILE NAME = 72J98 Bridge Repairs | USER NAME = | DESIGNED - BJV | REVISED - |
| BFW BACON FARMER WORKMAN ENGINEERING & TESTING, INC. 403 NORTH COURT STREET MORRIS, ILLINOIS 62450 PHONE: 618.987.2190 | | CHECKED - GBR | REVISED - |
| | PLOT SCALE = | DRAWN - BJV | REVISED - |
| | PLOT DATE = 7/24/2018 | CHECKED - GBR | REVISED - |

STATE OF ILLINOIS
DEPARTMENT OF TRANSPORTATION

PIER REPAIR DETAILS
SN 075-0130

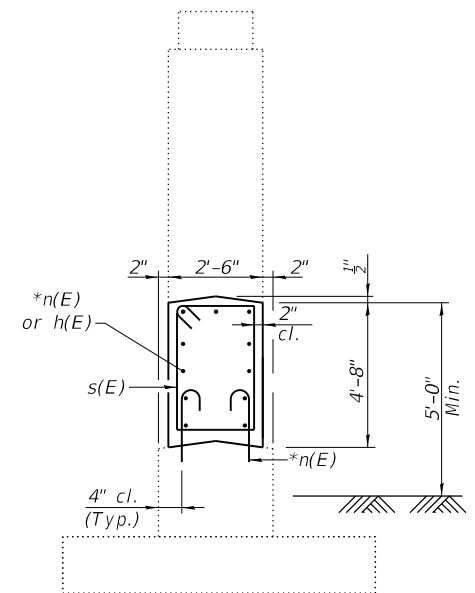
SHEET NO. 5 OF 7 SHEETS

| F.A.I. RTE. | SECTION | COUNTY | TOTAL SHEETS | SHEET NO. |
|---------------------------|--------------------|--------|--------------|-----------|
| 72 | (75-1-1) RS-2, BRR | PIKE | 82 | 59 |
| CONTRACT NO. 72J98 | | | | |
| ILLINOIS FED. AID PROJECT | | | | |

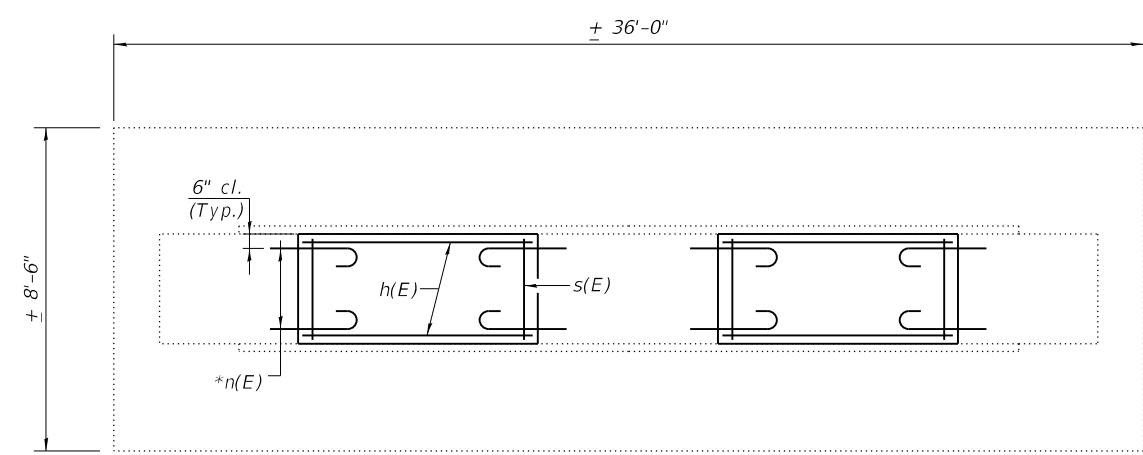


PIER ELEVATION
(Looking North)

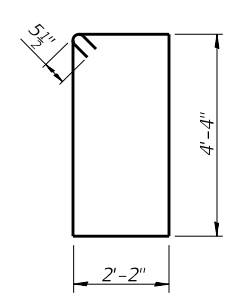
* Epoxy grout n(E) bars in 9" min. holes according to Article 584 of the Standard Specifications. Cost included with Reinforcement Bars, Epoxy Coated.



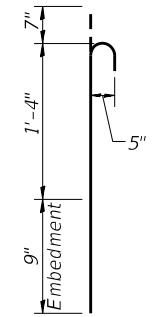
SECTION B-B



SECTION A-A



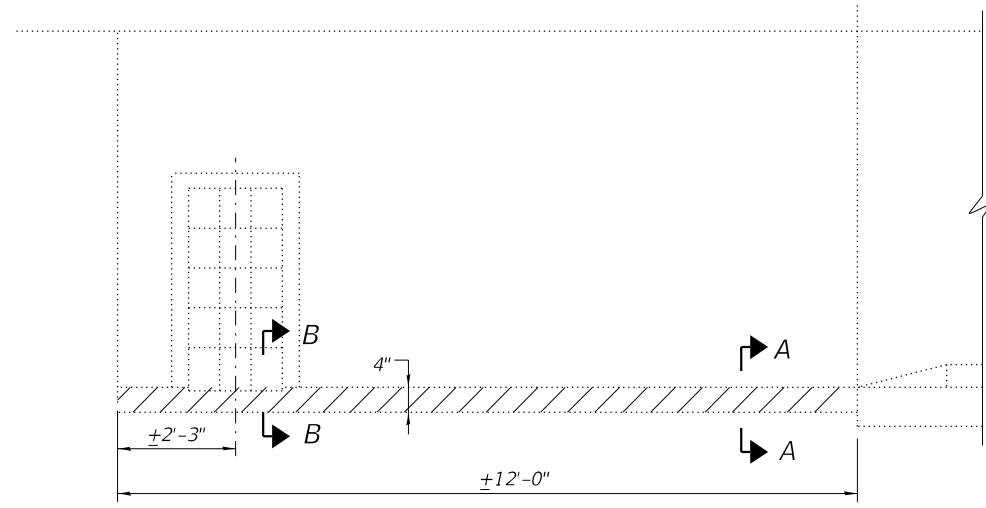
BAR s(E)



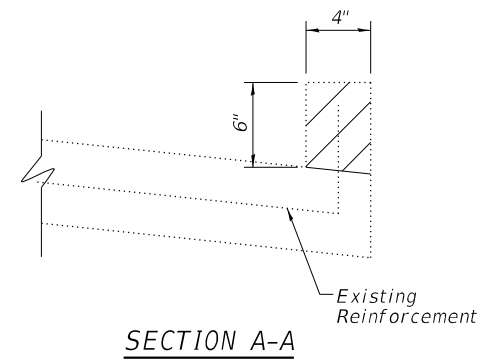
BAR n(E)

BILL OF MATERIAL

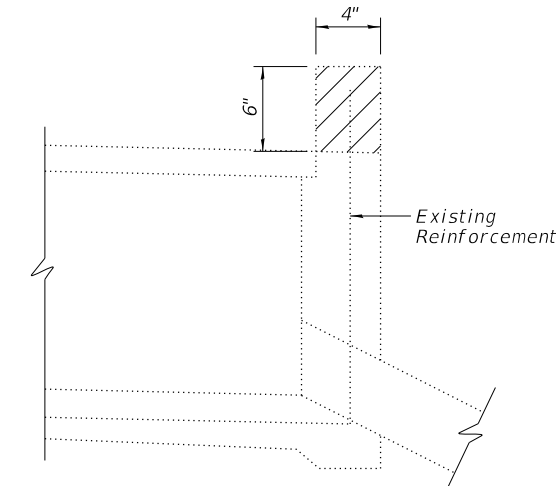
| Bar | No. | Size | Length | Shape |
|----------------------------------|-----|------|---------|-------|
| h(E) | 22 | #5 | 11'-6" | — |
| n(E) | 72 | #5 | 2'-8" | U |
| s(E) | 24 | #5 | 13'-11" | □ |
| Concrete Structures | | | Cu. Yd. | 10.3 |
| Reinforcement Bars, Epoxy Coated | | | Lb. | 820 |



PLAN - CURB REMOVAL
(Southeast Bridge Approach Shoulder Only)



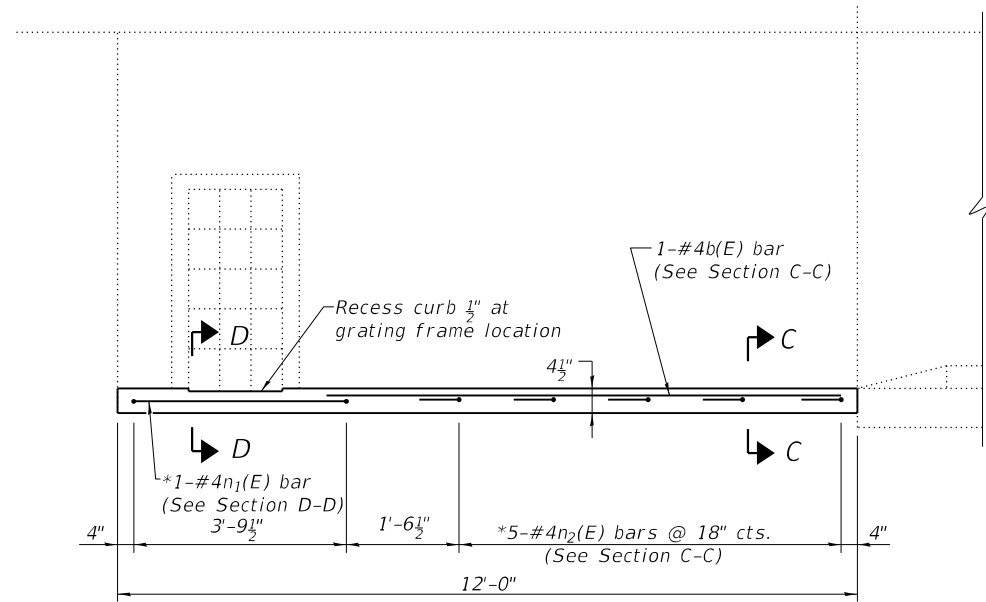
SECTION A-A



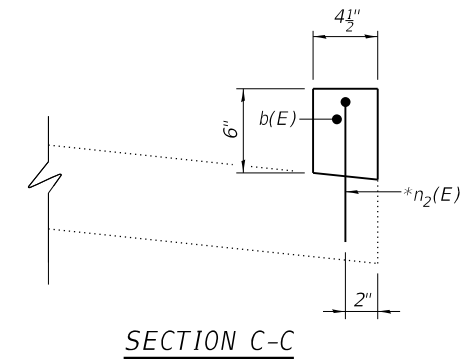
SECTION B-B

NOTE:

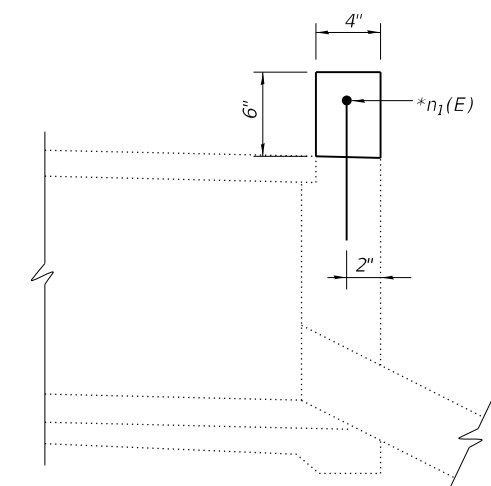
Cut ends of existing reinforcement bars extending into new construction. Cost included with Concrete Removal.



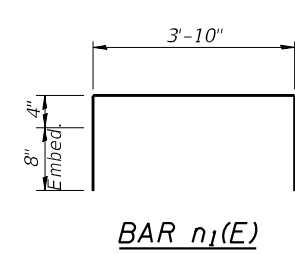
PLAN - CURB REPAIR
(Southeast Bridge Approach Shoulder Only)



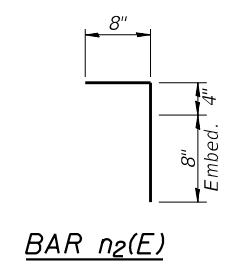
SECTION C-C



SECTION D-D



BAR n1(E)



BAR n2(E)

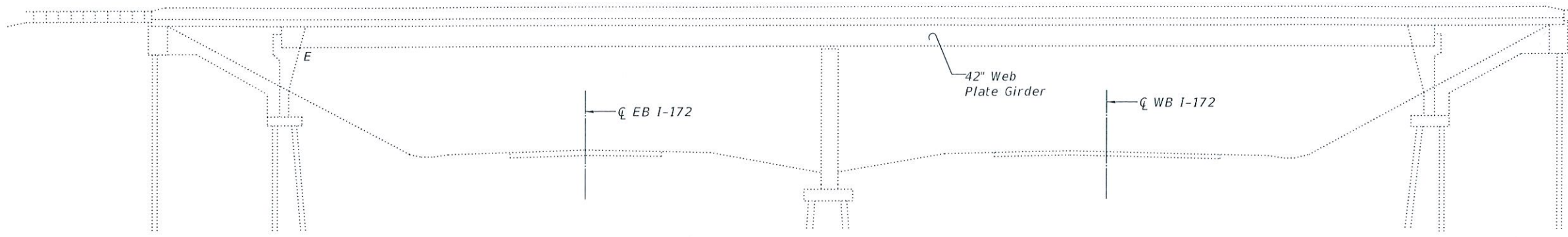
BILL OF MATERIAL

| Bar | No. | Size | Length | Shape |
|----------------------------------|-----|------|---------|-------|
| b(E) | 1 | #4 | 8'-0" | — |
| n1(E) | 1 | #4 | 5'-10" | U |
| n2(E) | 5 | #4 | 1'-8" | U |
| Concrete Removal | | | Cu. Yd. | 0.1 |
| Concrete Structures | | | Cu. Yd. | 0.1 |
| Reinforcement Bars, Epoxy Coated | | | Lb. | 20 |

LEGEND



* Epoxy grout n1(E) and n2(E) bars in 8" holes according to Article 584 of the Standard Specifications. Cost included with Reinforcement Bars, Epoxy Coated.



ELEVATION



General Notes

Road closure shall be utilized during construction. See Roadway Plans and Special Provisions for closure information and requirements.

Reinforcement bars designated (E) shall be epoxy coated.

Plan dimensions and details relative to existing plans are subject to nominal construction variations. The Contractor shall field verify existing dimensions and details affecting new construction and make necessary approved adjustments prior to construction or ordering of materials. Such variations shall not be cause for additional compensation for a change in scope of the work, however, the Contractor will be paid for the quantity actually furnished at the unit price bid for the work.

Any reinforcement bars that are damaged during concrete removal operations shall be repaired or replaced using an approved bar splicer or anchorage system. Cost included with "Concrete Removal".

Index of Sheets

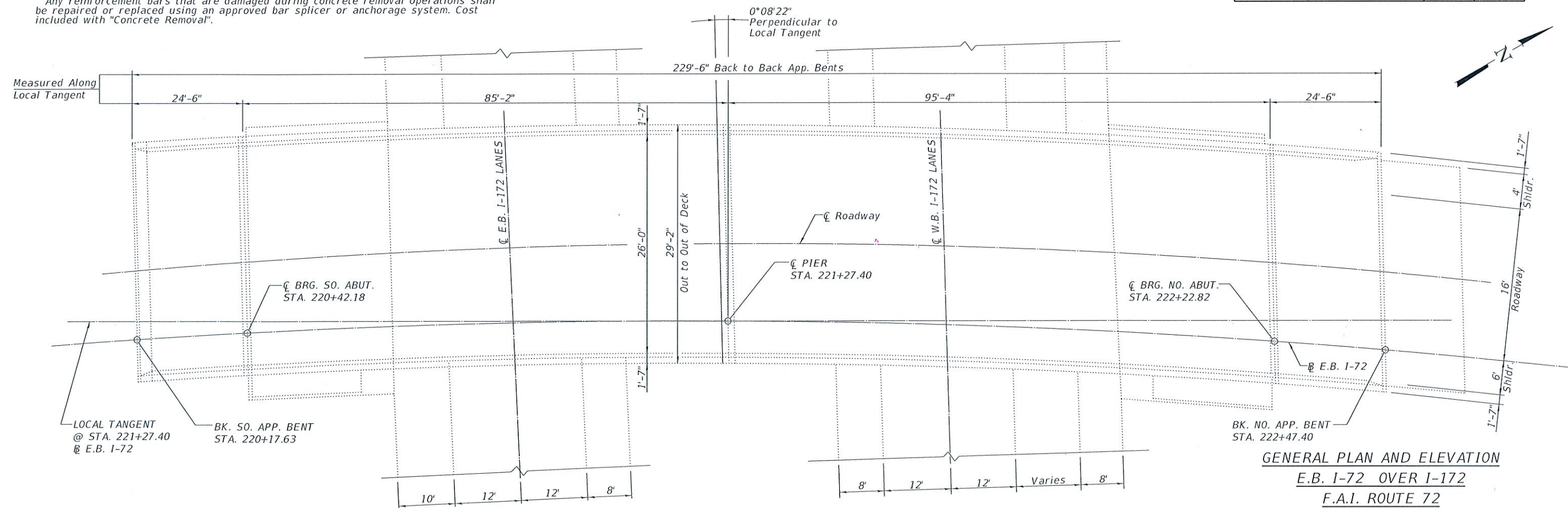
1. General Plan and Elevation
2. Deck and Approach Slab Repair Details
3. Abutment Repair Details
4. Pier Repair Details
5. Pier Crashwall Extension Details
6. Approach Curb Removal and Repair Details

Scope of Work

1. Deck and Approach Slab Repair
2. Approach Curb Removal and Repair
3. Substructure Repair
4. Pier Crashwall Extension

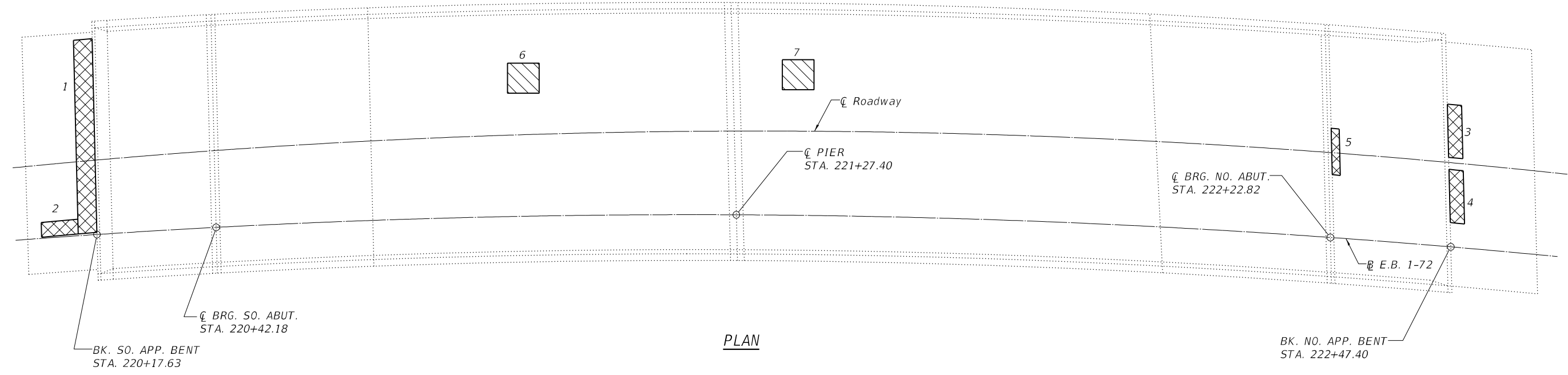
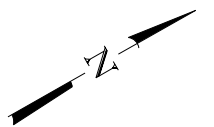
TOTAL BILL OF MATERIAL

| Item | Unit | Quantity |
|--|---------|----------|
| Concrete Removal | Cu. Yd. | 0.2 |
| Concrete Structures | Cu. Yd. | 5.1 |
| Reinforcement Bars, Epoxy Coated | Lb. | 490 |
| Approach Slab Repair (Partial Depth) | Sq. Yd. | 6.6 |
| Structural Repair of Concrete (Depth Equal To Or Less Than 5 Inches) | Sq. Ft. | 32.5 |
| Deck Slab Repair (Partial) | Sq. Yd. | 0.9 |



PLAN

GENERAL PLAN AND ELEVATION
 E.B. I-72 OVER I-172
 F.A.I. ROUTE 72
 SECTION (75-1-1) RS-2, BRR
 PIKE COUNTY
 STATION 221+27.40
 STRUCTURE NO. 075-0131



PLAN

BILL OF MATERIAL

| Item | Unit | Quantity |
|--------------------------------------|---------|----------|
| Approach Slab Repair (Partial Depth) | Sq. Yd. | 6.6 |
| Deck Slab Repair (Partial) | Sq. Yd. | 0.9 |

APPROACH SLAB REPAIR (PARTIAL DEPTH)

| Patch No. | Length (ft.) | Width (ft.) | Area (sq. yd.) |
|-----------|--------------|-------------|----------------|
| 1 | 16'-0" | 2'-0" | 3.56 |
| 2 | 4'-0" | 1'-0" | 0.44 |
| 3 | 5'-0" | 2'-0" | 1.11 |
| 4 | 5'-0" | 2'-0" | 1.11 |
| 5 | 3'-0" | 1'-0" | 0.33 |
| Total = | | | 6.55 |

DECK SLAB REPAIR (PARTIAL)

| Patch No. | Length (ft.) | Width (ft.) | Area (sq. yd.) |
|-----------|--------------|-------------|----------------|
| 6 | 2'-0" | 2'-0" | 0.44 |
| 7 | 2'-0" | 2'-0" | 0.44 |
| Total = | | | 0.88 |

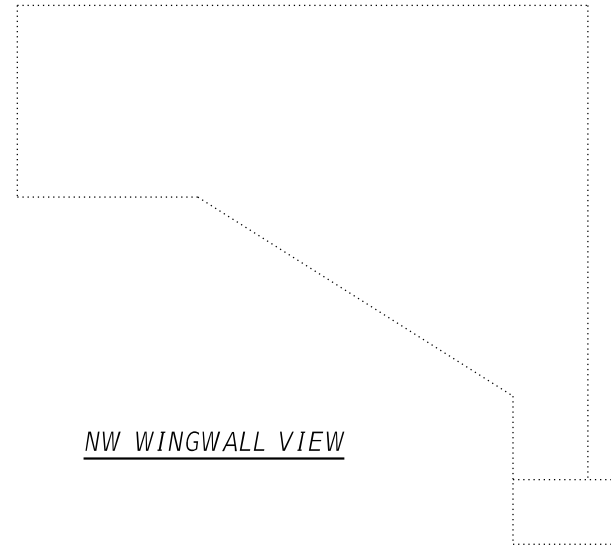
PATCHING SURVEY: 1/31/2018

NOTE:

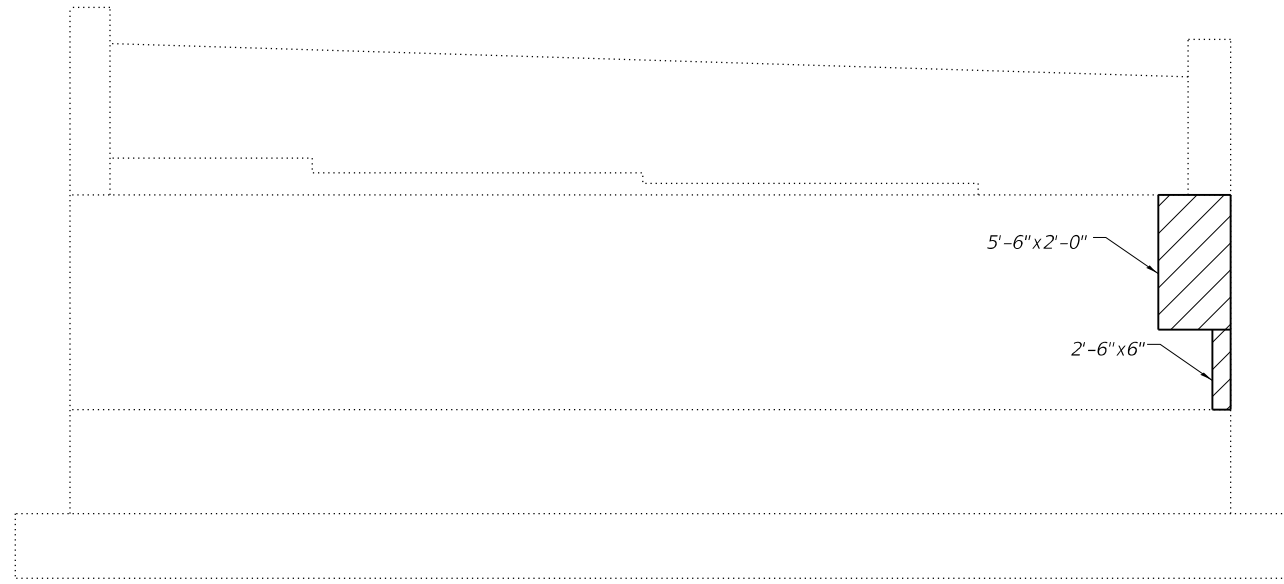
The repair areas and locations shown in the Plan View are estimated. The Engineer will determine final repair locations and quantities before slab repair operations begin.

LEGEND

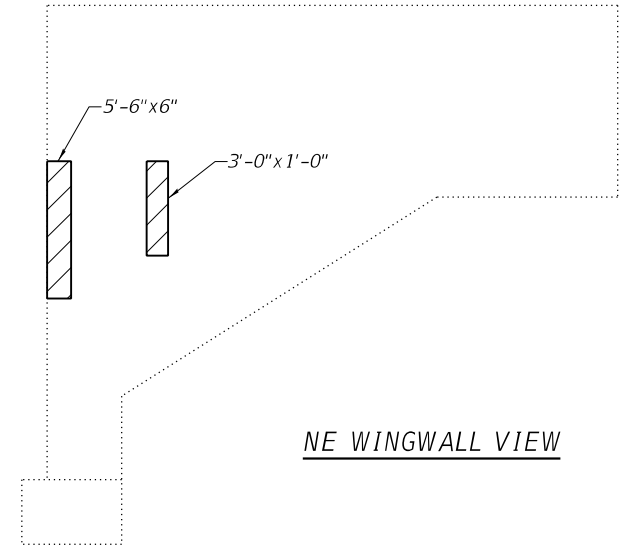
- Approach Slab Repair (Partial Depth)
- Deck Slab Repair (Partial)



NW WINGWALL VIEW



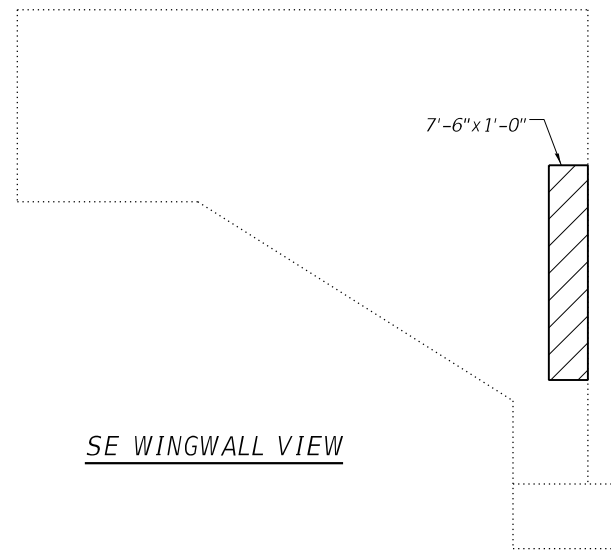
NORTH ABUTMENT ELEVATION
(Looking North)



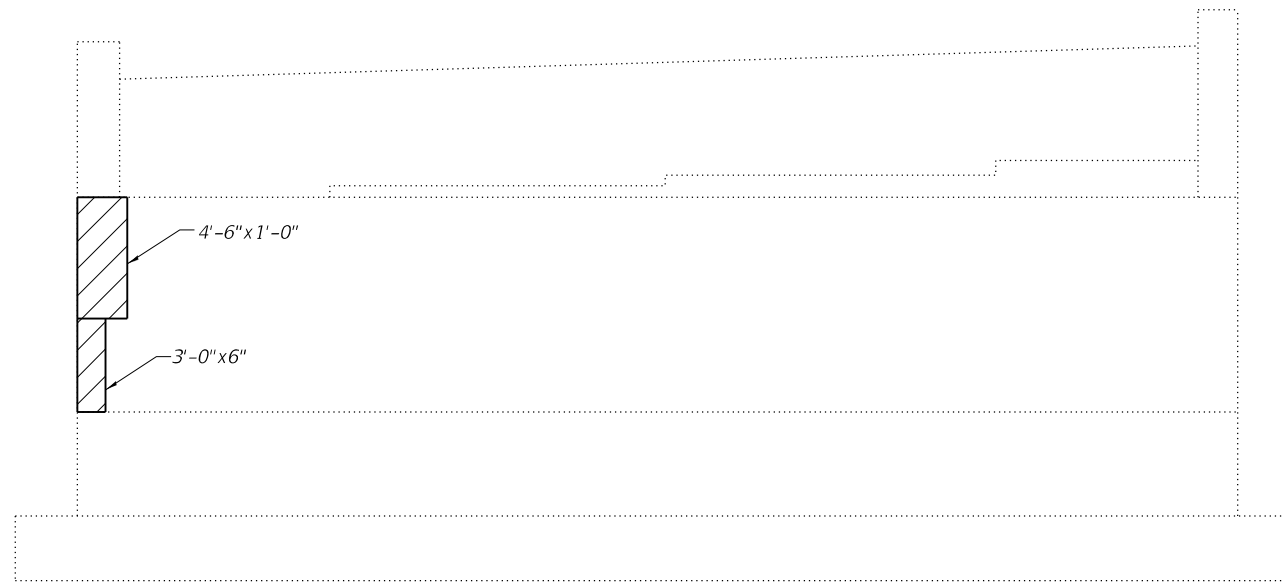
NE WINGWALL VIEW

BILL OF MATERIAL

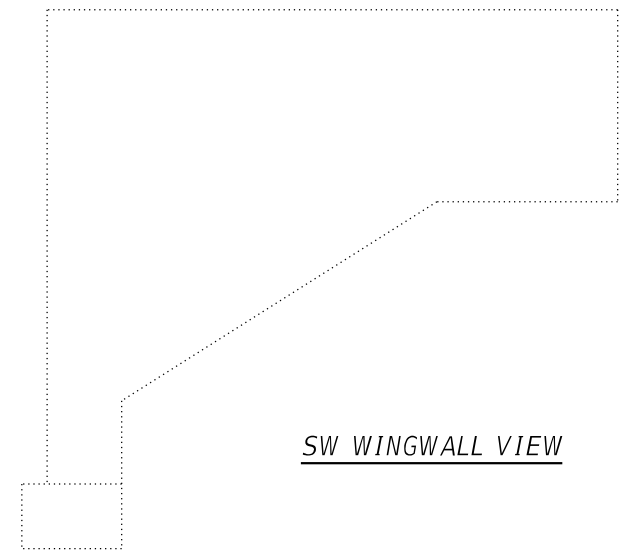
| Item | Unit | Quantity |
|--|---------|----------|
| Structural Repair of Concrete (Depth Equal To Or Less Than 5 Inches) | Sq. Ft. | 31.5 |



SE WINGWALL VIEW





SOUTH ABUTMENT ELEVATION
(Looking South)



SW WINGWALL VIEW

LEGEND

 Structural Repair of Concrete
(Depth Equal to or Less Than 5")

| | | | |
|--|-----------------------|----------------|-----------|
| FILE NAME = 72J98 Bridge Repairs | USER NAME = | DESIGNED - BJV | REVISED - |
|  BACON FARMER WORKMAN ENGINEERING & TESTING, INC. 403 NORTH COURT STREET MORRIS, ILLINOIS 62450 PHONE: 618.987.9190 | | CHECKED - GBR | REVISED - |
| | PLOT SCALE = | DRAWN - BJV | REVISED - |
| | PLOT DATE = 7/24/2018 | CHECKED - GBR | REVISED - |

STATE OF ILLINOIS
DEPARTMENT OF TRANSPORTATION

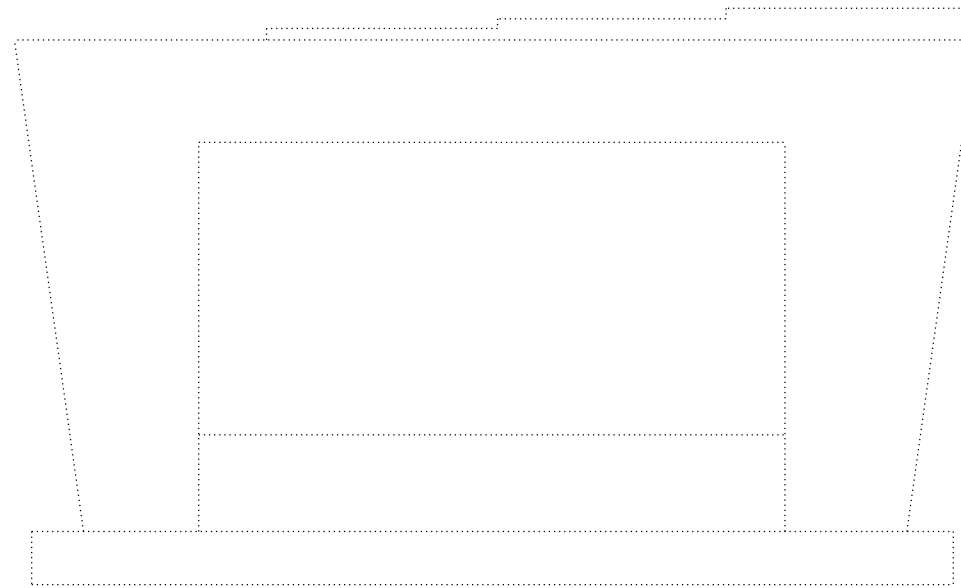
ABUTMENT REPAIR DETAILS
SN 075-0131

SHEET NO. 3 OF 6 SHEETS

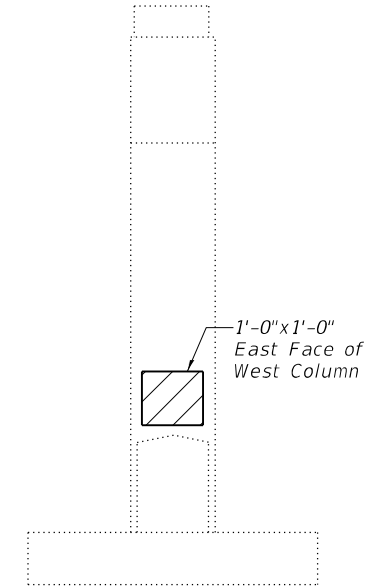
| F.A.I. RTE. | SECTION | COUNTY | TOTAL SHEETS | SHEET NO. |
|---------------------------|--------------------|--------|--------------|-----------|
| 72 | (75-1-1) RS-2, BRR | PIKE | 82 | 64 |
| CONTRACT NO. 72J98 | | | | |
| ILLINOIS FED. AID PROJECT | | | | |

BILL OF MATERIAL

| Item | Unit | Quantity |
|--|---------|----------|
| Structural Repair of Concrete (Depth Equal To Or Less Than 5 Inches) | Sq. Ft. | 1.0 |

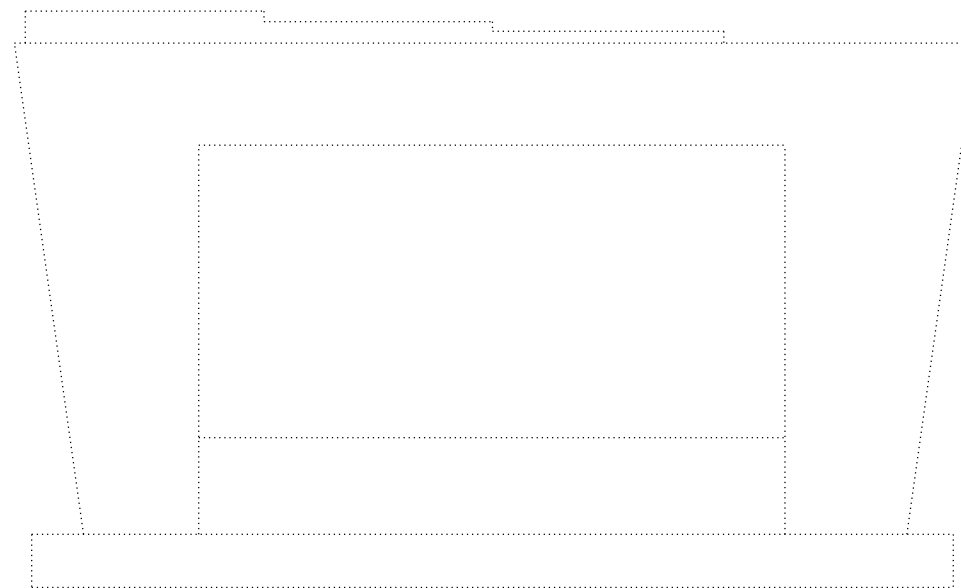


PIER ELEVATION
(Looking South)

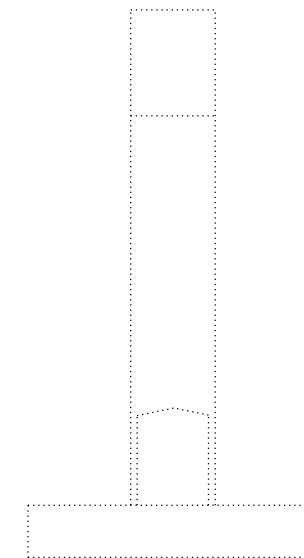


END VIEW
(Looking East)

1'-0" x 1'-0"
East Face of
West Column

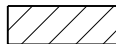



PIER ELEVATION
(Looking North)



END VIEW
(Looking West)

LEGEND

 Structural Repair of Concrete (Depth Equal to or Less Than 5")

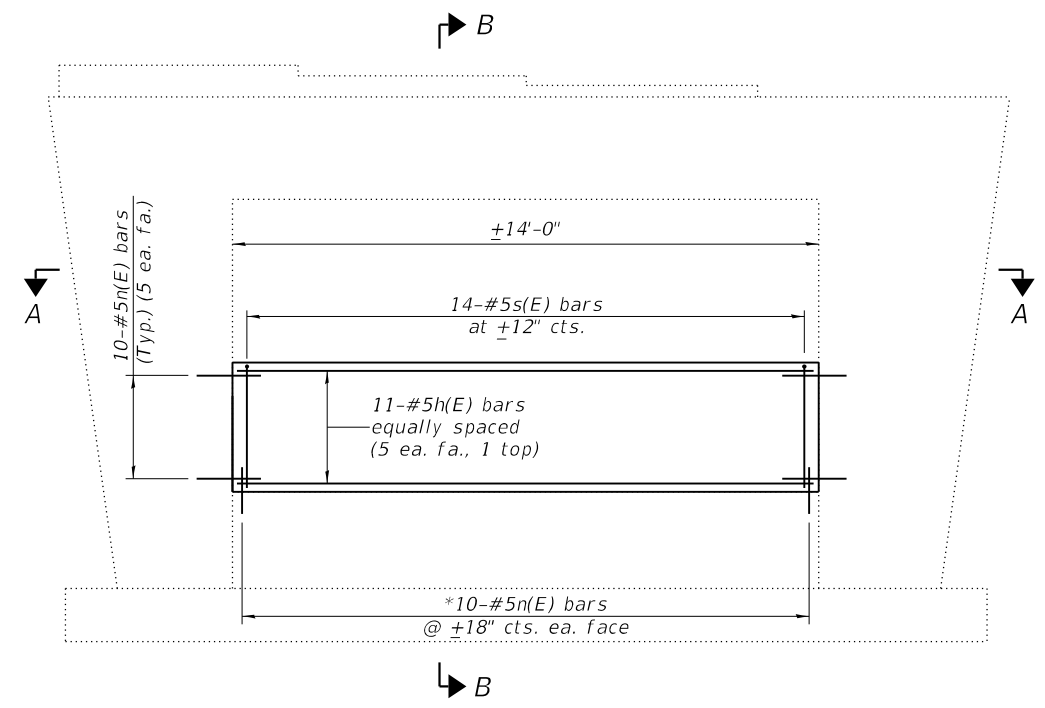
| | | | |
|--|-----------------------|----------------|-----------|
| FILE NAME = 72J98 Bridge Repairs | USER NAME = | DESIGNED - BJV | REVISED - |
|  BACON FARMER WORKMAN ENGINEERING & TESTING, INC. 403 NORTH COURT STREET MORRIS, ILLINOIS 62450 PHONE: 618.987.2100 | | CHECKED - GBR | REVISED - |
| | PLOT SCALE = | DRAWN - BJV | REVISED - |
| | PLOT DATE = 7/24/2018 | CHECKED - GBR | REVISED - |

STATE OF ILLINOIS
DEPARTMENT OF TRANSPORTATION

PIER REPAIR DETAILS
SN 075-0131

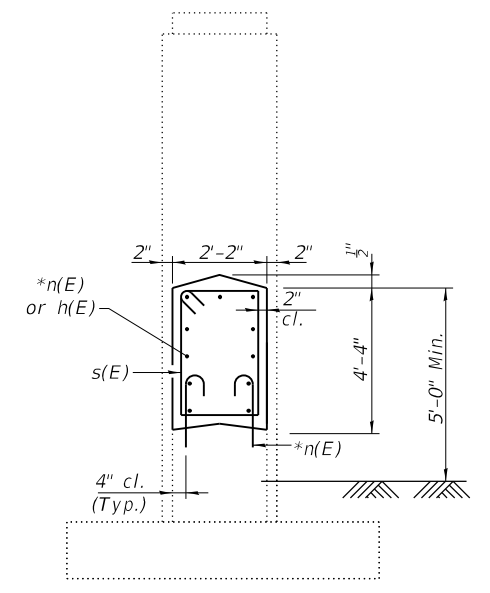
SHEET NO. 4 OF 6 SHEETS

| F.A.I. RTE. | SECTION | COUNTY | TOTAL SHEETS | SHEET NO. |
|---------------------------|--------------------|--------|--------------|-----------|
| 72 | (75-1-1) RS-2, BRR | PIKE | 82 | 65 |
| CONTRACT NO. 72J98 | | | | |
| ILLINOIS FED. AID PROJECT | | | | |

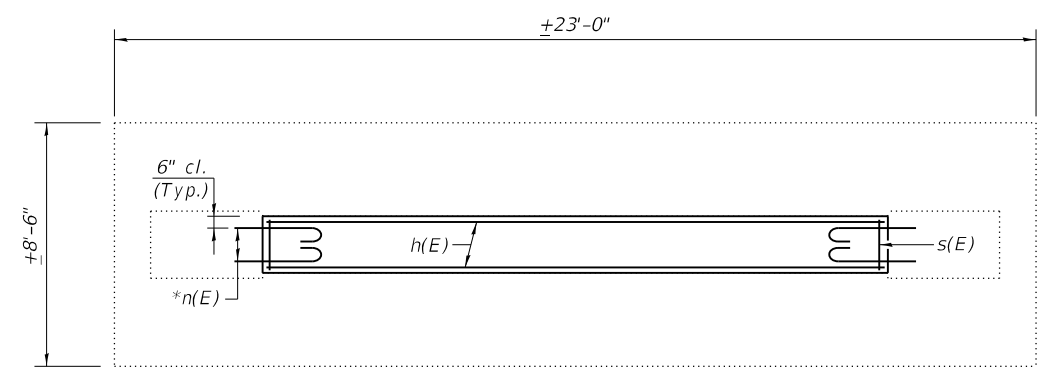


PIER ELEVATION
(Looking North)

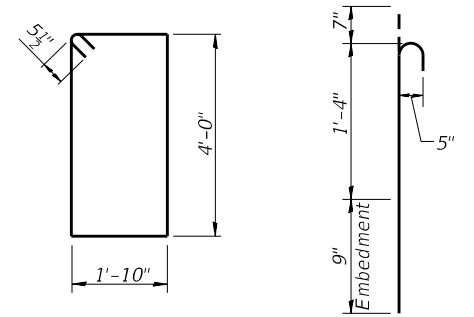
* Epoxy grout n(E) bars in 9" min. holes according to Article 584 of the Standard Specifications. Cost included with Reinforcement Bars, Epoxy Coated.



SECTION B-B



SECTION A-A

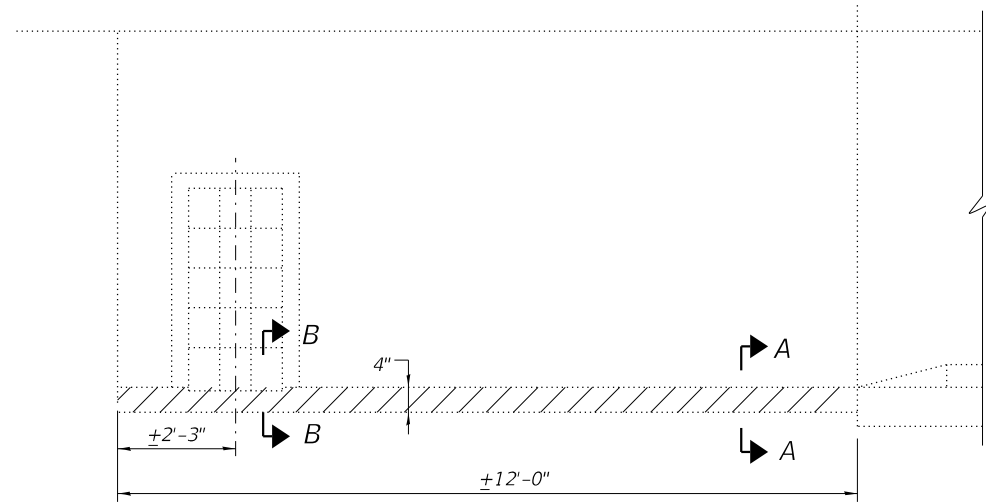


BAR s(E)

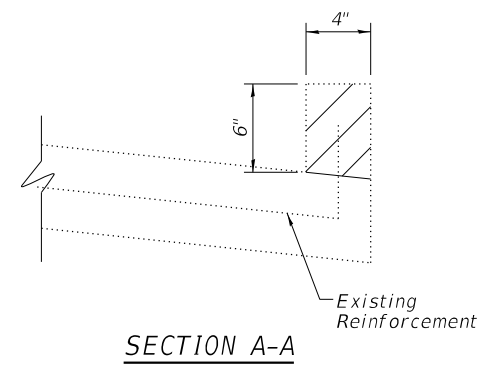
BAR n(E)

BILL OF MATERIAL

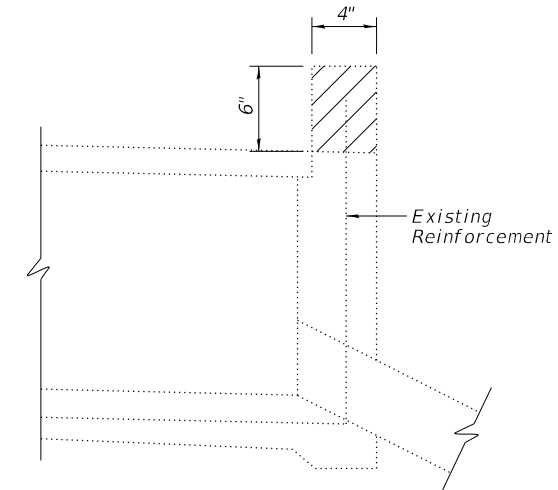
| Bar | No. | Size | Length | Shape |
|----------------------------------|-----|------|---------|-------|
| h(E) | 11 | #5 | 13'-8" | — |
| n(E) | 40 | #5 | 2'-8" | C |
| s(E) | 14 | #5 | 12'-7" | □ |
| Concrete Structures | | | Cu. Yd. | 4.9 |
| Reinforcement Bars, Epoxy Coated | | | Lb. | 460 |



PLAN - CURB REMOVAL
 (Southeast & Northeast Bridge Approach Shoulders Only)
 (Southeast Shoulder Shown - Northeast Soulder Similar)



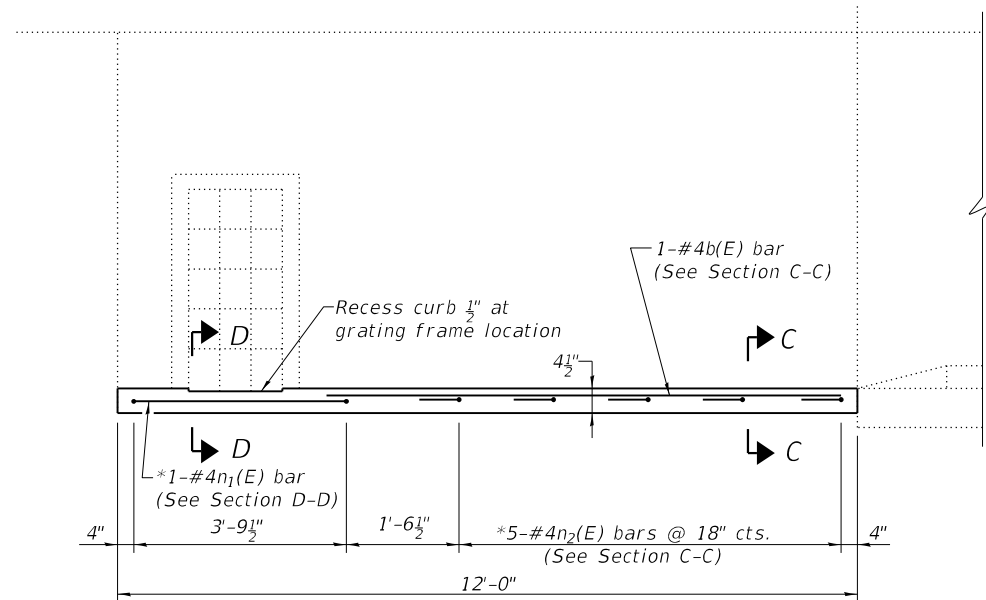
SECTION A-A



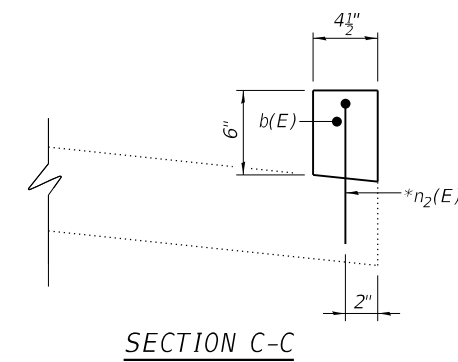
SECTION B-B

NOTE:

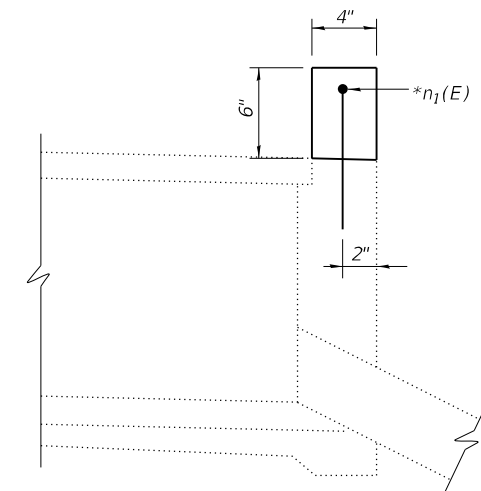
Cut ends of existing reinforcement bars extending into new construction. Cost included with Concrete Removal.



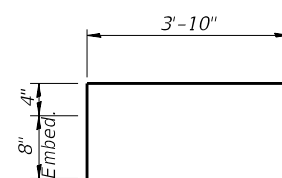
PLAN-CURB REPAIR
 (Southeast and Northeast Bridge Approach Shoulders Only)
 (Southeast Shoulder Shown - Northeast Soulder Similar)



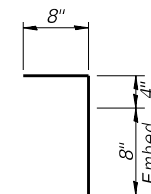
SECTION C-C



SECTION D-D



BAR n1(E)



BAR n2(E)

BILL OF MATERIAL
 (Total for Both Locations)

| Bar | No. | Size | Length | Shape |
|----------------------------------|-----|------|---------|-------|
| b(E) | 2 | #4 | 8'-0" | — |
| n1(E) | 2 | #4 | 5'-10" | ┌┐ |
| n2(E) | 10 | #4 | 1'-8" | ┌┐ |
| Concrete Removal | | | Cu. Yd. | 0.2 |
| Concrete Structures | | | Cu. Yd. | 0.2 |
| Reinforcement Bars, Epoxy Coated | | | Lb. | 30 |

LEGEND

Concrete Removal

* Epoxy grout n1(E) and n2(E) bars in 8" holes according to Article 584 of the Standard Specifications. Cost included with Reinforcement Bars, Epoxy Coated.

General Notes

Reinforcement bars designated (E) shall be epoxy coated.

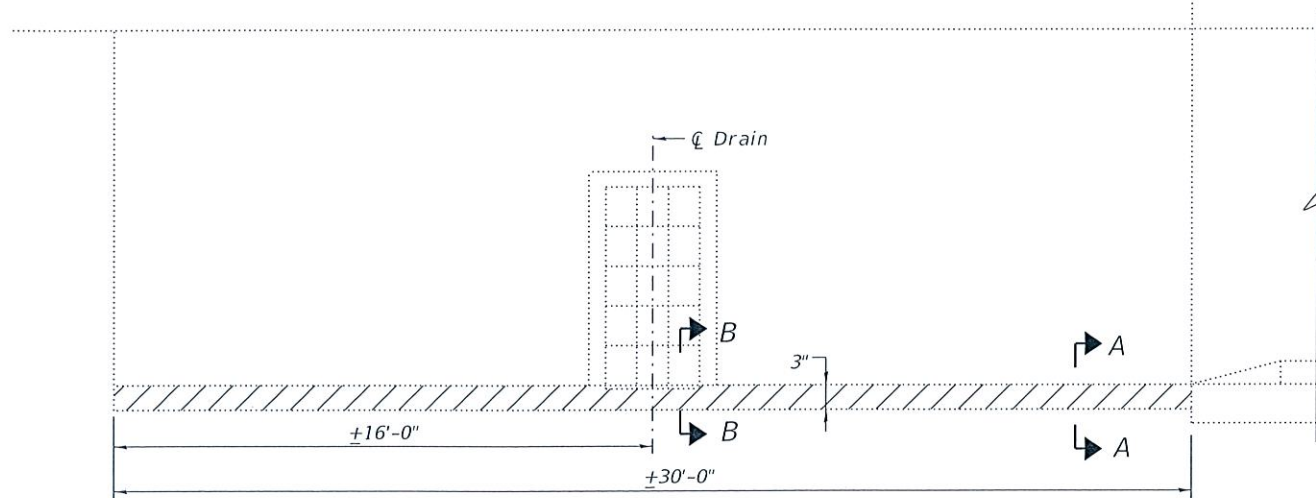
Plan dimensions and details relative to existing plans are subject to nominal construction variations. The Contractor shall field verify existing dimensions and details affecting new construction and make necessary approved adjustments prior to construction or ordering of materials. Such variations shall not be cause for additional compensation for a change in scope of the work, however, the Contractor will be paid for the quantity actually furnished at the unit price bid for the work.

Any reinforcement bars that are damaged during concrete removal operations shall be repaired or replaced using an approved bar splicer or anchorage system. Cost included with "Concrete Removal".

Scope of Work

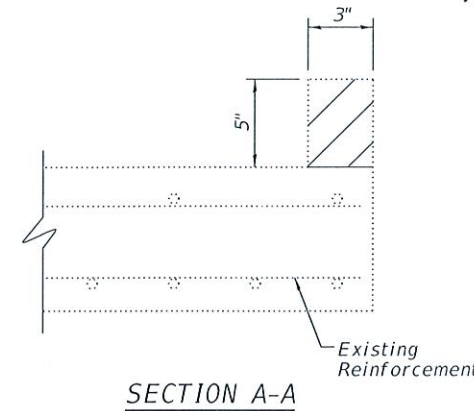
1. Set up Traffic Control per Roadway Plans.
2. Removal and Repair of the Bridge Approach Shoulder Curbs on the East Approach of S.N. 075-0152 (E.B.) and the West Approach of S.N. 075-0153 (W.B.) (Four Curbs Total)

LEGEND

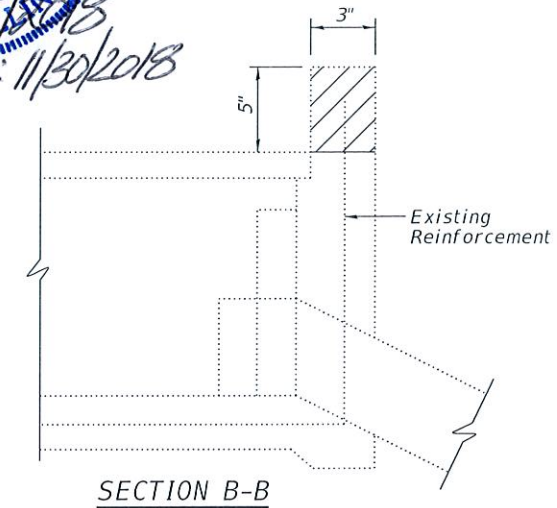


PLAN - CURB REMOVAL

(Southwest Bridge Approach Shoulder on Structure 075-0153 (W.B.) Shown)
(Northwest Bridge Approach Shoulder on SN 075-0153 (W.B.) and both East Bridge Approach Shoulders on SN 075-0152 (E.B.) Similar)



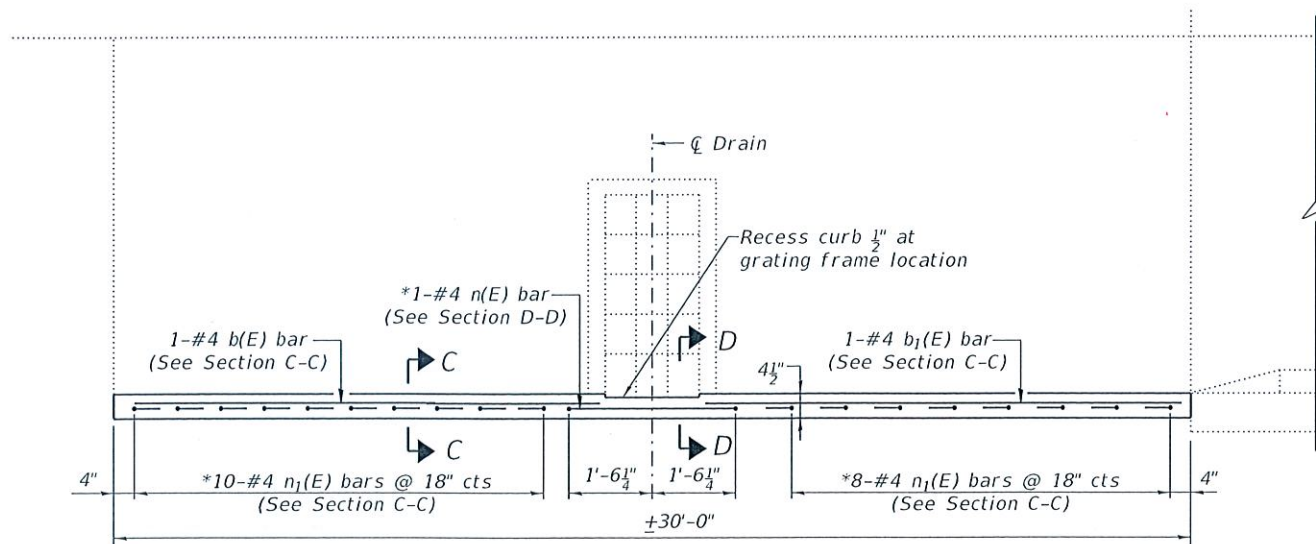
SECTION A-A



SECTION B-B

NOTE:

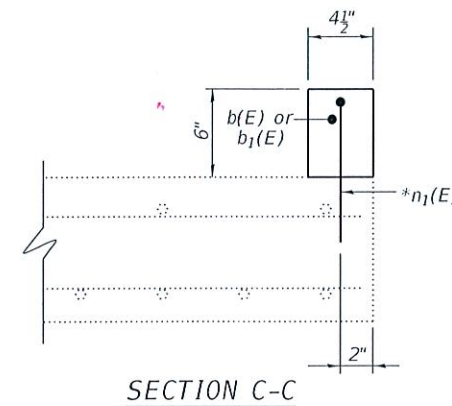
Cut ends of existing reinforcement bars extending into new construction. Cost included with Concrete Removal.



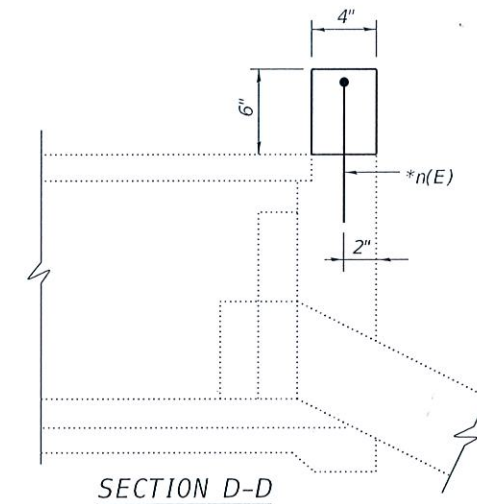
PLAN-CURB REPAIR

(Southwest Bridge Approach Shoulder on Structure 075-0153 (W.B.) Shown)
(Northwest Bridge Approach Shoulder on SN 075-0153 (W.B.) and both East Bridge Approach Shoulders on SN 075-0152 (E.B.) Similar)

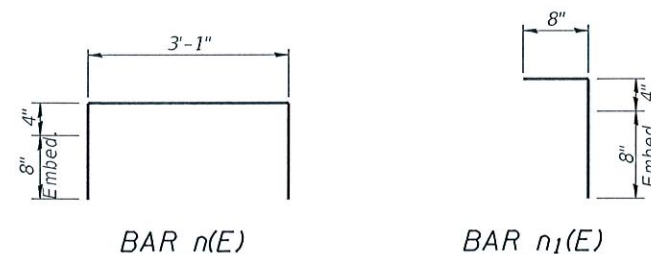
* Epoxy grout n(E) and n1(E) bars in 8" holes according to Article 584 of the Standard Specifications. Cost included with Reinforcement Bars, Epoxy Coated.



SECTION C-C



SECTION D-D

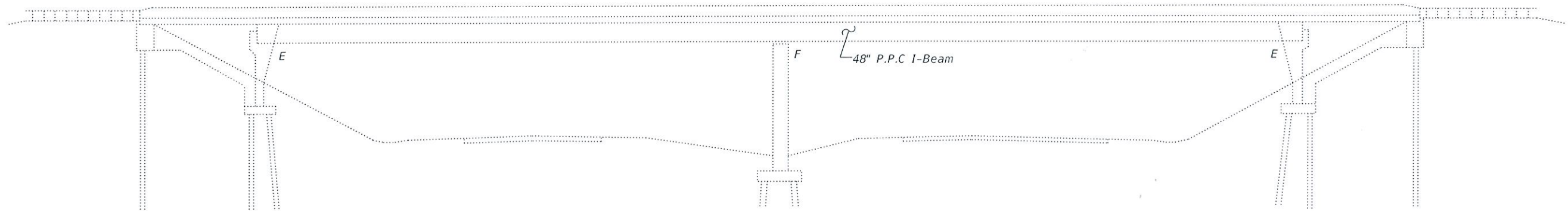


BAR n(E)

BAR n1(E)

BILL OF MATERIAL
(Total Both Structures - Four Curbs Total)

| Bar | No. | Size | Length | Shape |
|----------------------------------|-----|------|---------|-------|
| b(E) | 4 | #4 | 14'-6" | — |
| b1(E) | 4 | #4 | 12'-6" | — |
| n(E) | 4 | #4 | 5'-1" | ⌈ |
| n1(E) | 72 | #4 | 1'-8" | ⌈ |
| Concrete Removal | | | Cu. Yd. | 0.5 |
| Concrete Structures | | | Cu. Yd. | 0.9 |
| Reinforcement Bars, Epoxy Coated | | | Lb. | 170 |



ELEVATION

General Notes

Reinforcement bars designated (E) shall be epoxy coated.
 Plan dimensions and details relative to existing plans are subject to nominal construction variations. The Contractor shall field verify existing dimensions and details affecting new construction and make necessary approved adjustments prior to construction or ordering of materials. Such variations shall not be cause for additional compensation for a change in scope of the work, however, the Contractor will be paid for the quantity actually furnished at the unit price bid for the work.

Index of Sheets

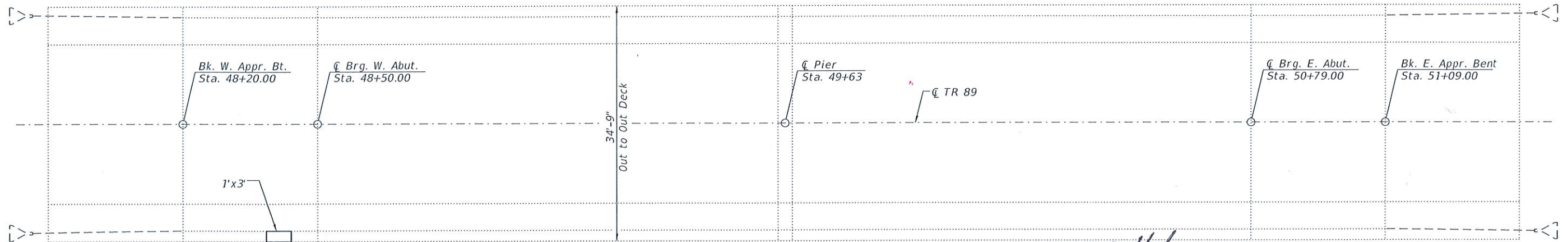
1. General Plan and Elevation/Parapet Repair
2. Pier Crashwall Extension Details

Scope of Work

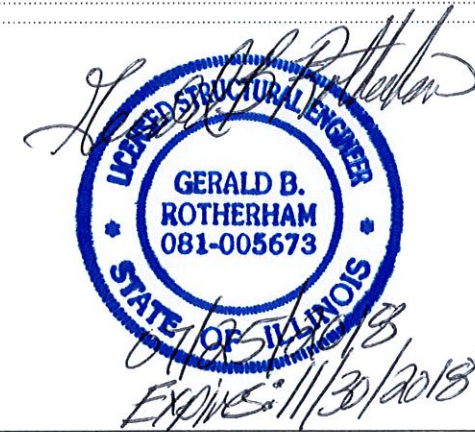
1. Setup Traffic Control per Roadway Plans.
2. Perform structural repair of concrete at parapet location.
3. Extend pier crashwall.

TOTAL BILL OF MATERIAL

| Item | Unit | Quantity |
|---|---------|----------|
| Reinforcement Bars, Epoxy Coated | Lb. | 380 |
| Structural Repair of Concrete (Depth Greater Than 5 inches) | Sq. Ft. | 3 |
| Concrete Structures | Cu. Yd. | 2.9 |

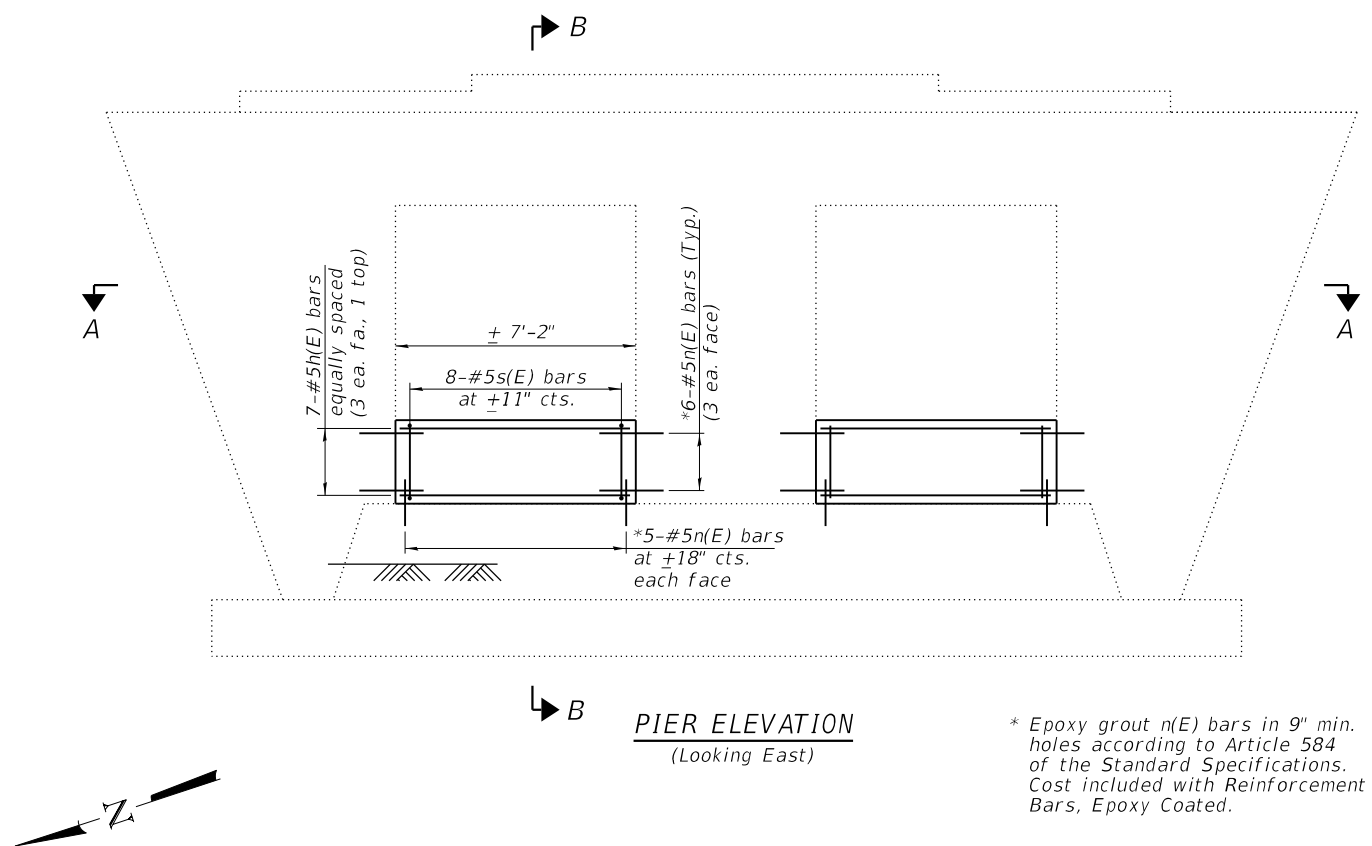


PLAN



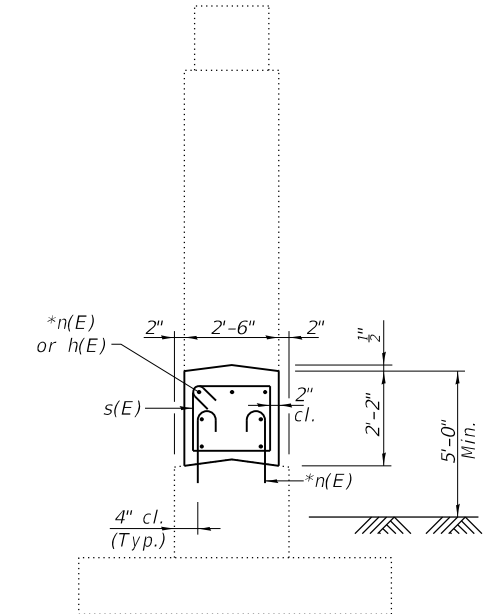
GENERAL PLAN AND ELEVATION/
 PARAPET REPAIR DETAILS
TR 89 OVER I-72
PIKE COUNTY
STATION 49+63.00
STRUCTURE NO. 075-0154

| | | | | | | | | | | |
|---|---------------|----------------|----------|---|---|--------------------|------------------|---------------------------|--------------|-----------|
| FILE NAME = 72J98 Bridge Repairs BACON FARMER WORKMAN ENGINEERING & TESTING, INC. <small>413 NORTH COURT STREET MURKIN BLVD. SUITE 200 PIKE COUNTY, ILLINOIS</small> | USER NAME = | DESIGNED - BJV | REVISD - | STATE OF ILLINOIS DEPARTMENT OF TRANSPORTATION | GENERAL PLAN AND ELEVATION / PARAPET REPAIR DETAILS SN 075-0154 SHEET NO. 1 OF 2 SHEETS | F.A.I. RTE. | SECTION | COUNTY | TOTAL SHEETS | SHEET NO. |
| | PLOT SCALE = | CHECKED - GBR | REVISD - | | | 72 | (75-1-1RS-2,BRR) | PIKE | 82 | 69 |
| PLOT DATE = 7/24/2018 | CHECKED - GBR | DRAWN - BJV | REVISD - | | | CONTRACT NO. 72J98 | | ILLINOIS FED. AID PROJECT | | |

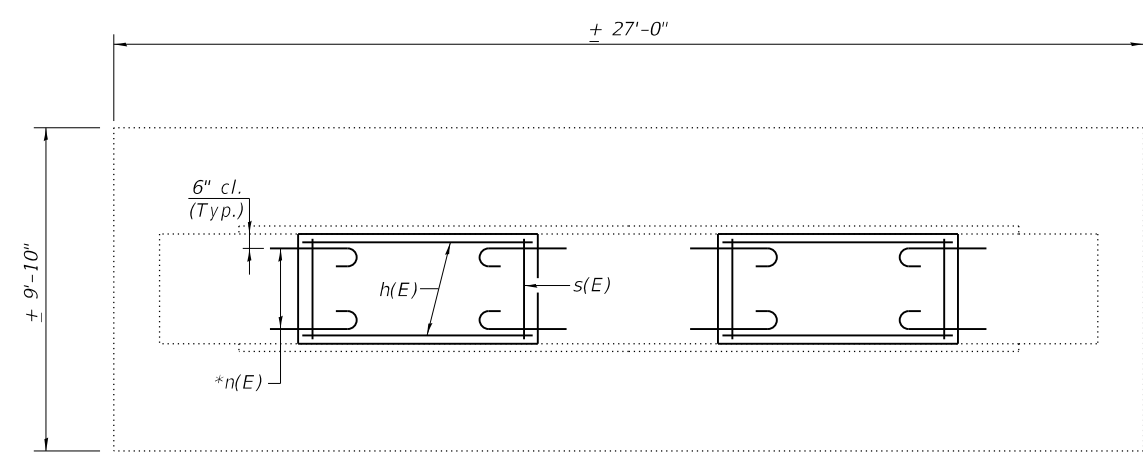


PIER ELEVATION
(Looking East)

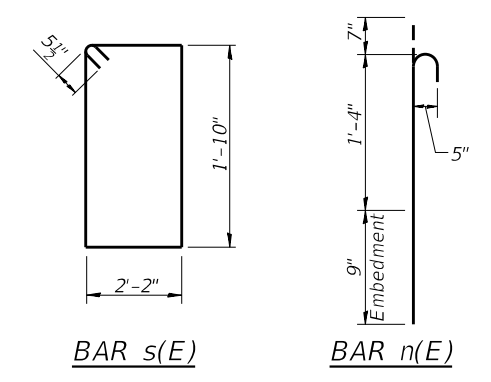
* Epoxy grout n(E) bars in 9" min. holes according to Article 584 of the Standard Specifications. Cost included with Reinforcement Bars, Epoxy Coated.



SECTION B-B



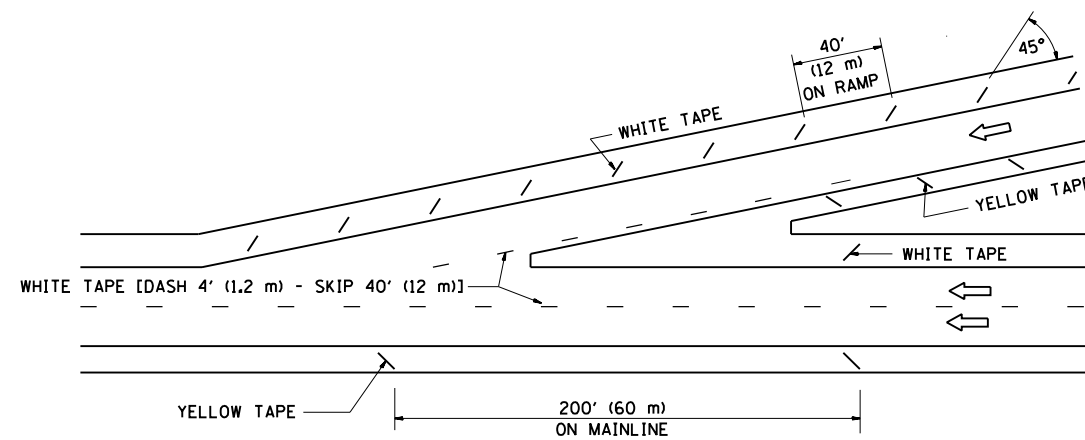
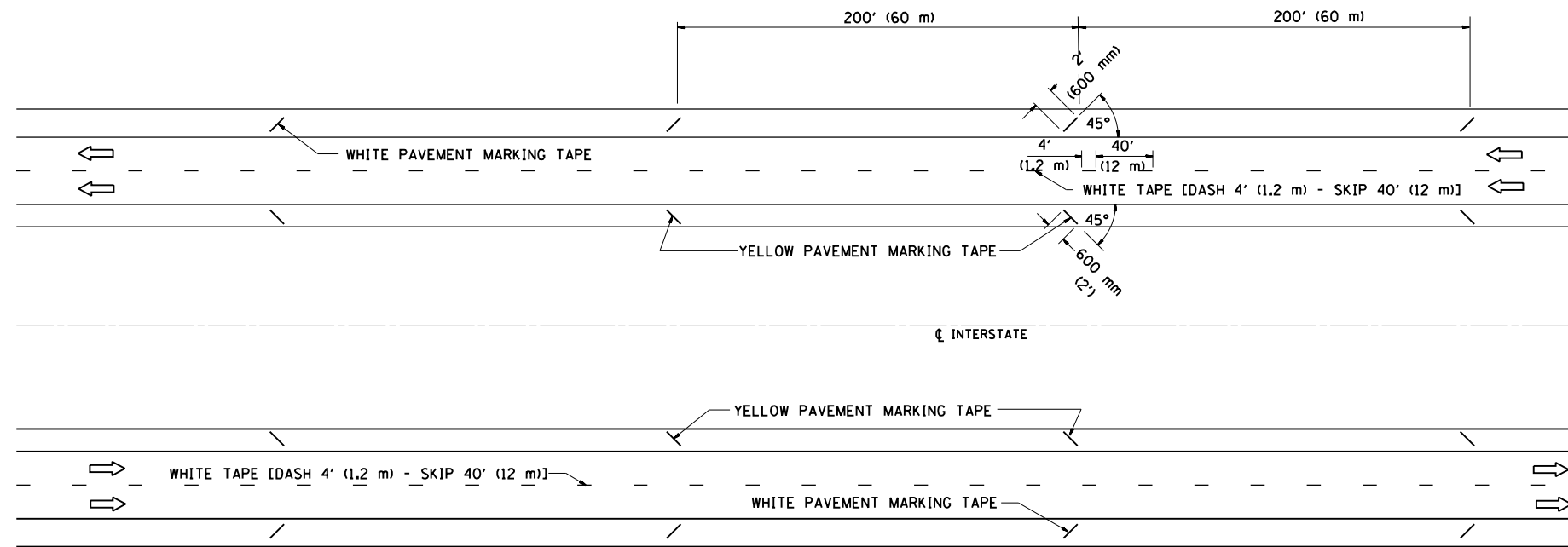
SECTION A-A



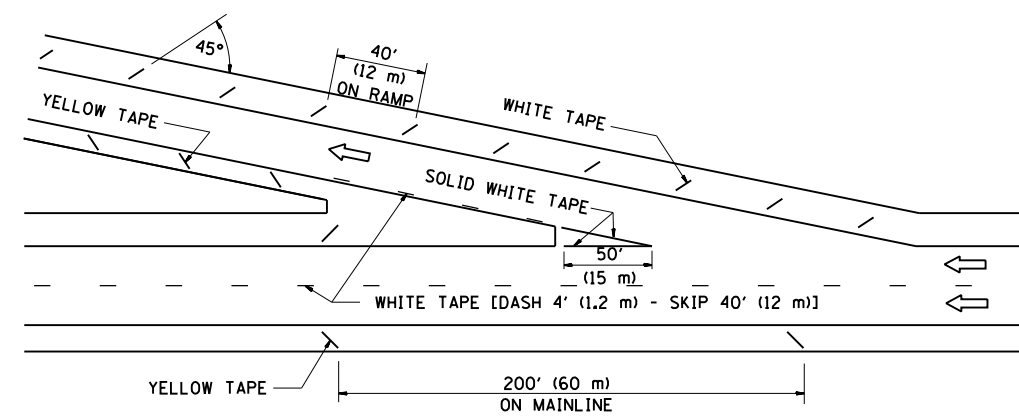
BILL OF MATERIAL

| Bar | No. | Size | Length | Shape |
|----------------------------------|-----|------|---------|-------|
| h(E) | 14 | #5 | 6'-10" | — |
| n(E) | 44 | #5 | 2'-8" | U |
| s(E) | 16 | #5 | 8'-11" | □ |
| Concrete Structures | | | Cu. Yd. | 2.9 |
| Reinforcement Bars, Epoxy Coated | | | Lb. | 380 |

TYPICAL SHORT TERM PAVEMENT MARKING FOR INTERSTATE ROUTES



TYPICAL ENTRANCE TERMINAL



TYPICAL EXIT TERMINAL

MODEL: Default
FILE: h:\m\p\030672198-914-draw\11.dgn

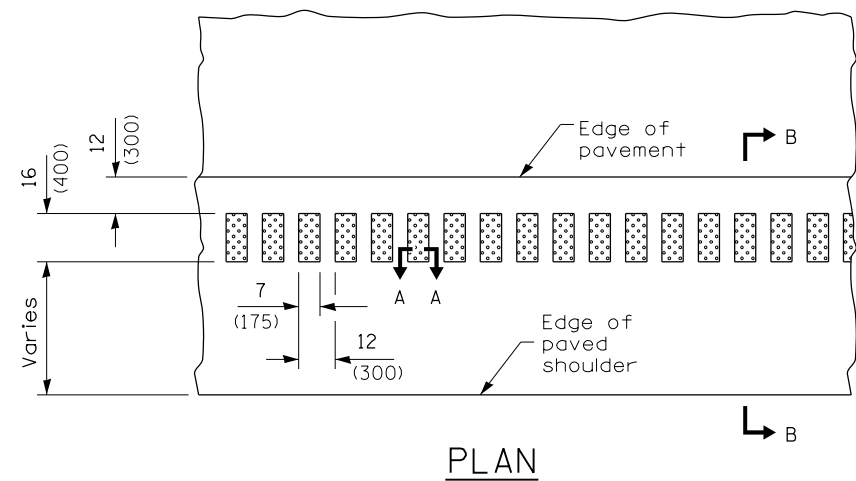
| | | |
|------------------------------------|------------|-----------|
| USER NAME = bemery | DESIGNED - | REVISED - |
| | DRAWN - | REVISED - |
| PLOT SCALE = 200.0000' / in. | CHECKED - | REVISED - |
| PLOT DATE = 7/25/2018 - 2:04:45 PM | DATE - | REVISED - |

STATE OF ILLINOIS
DEPARTMENT OF TRANSPORTATION

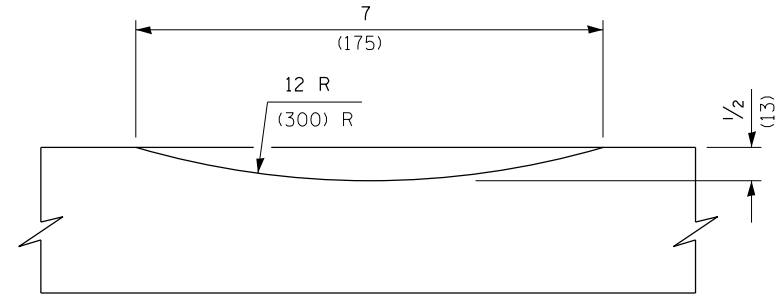
SHORT TERM PAVEMENT MARKING
FOR INTERSTATE ROUTES

SCALE: N.T.S. SHEET OF SHEETS STA. TO STA.

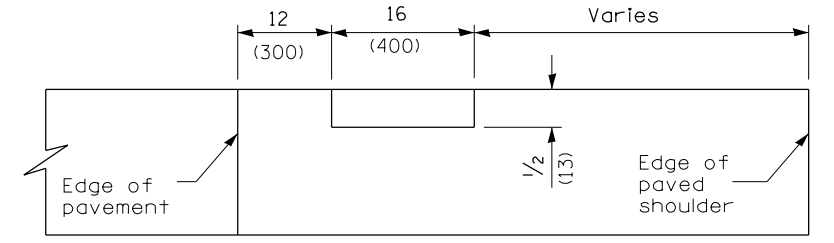
| F.A.I. RTE. | SECTION | COUNTY | TOTAL SHEETS | SHEET NO. |
|---------------------------|------------------|--------|--------------|-----------|
| 72 | (75-1-1)RS-2,BRR | PIKE | 82 | 71 |
| CONTRACT NO. 72J98 | | | | |
| ILLINOIS FED. AID PROJECT | | | | |



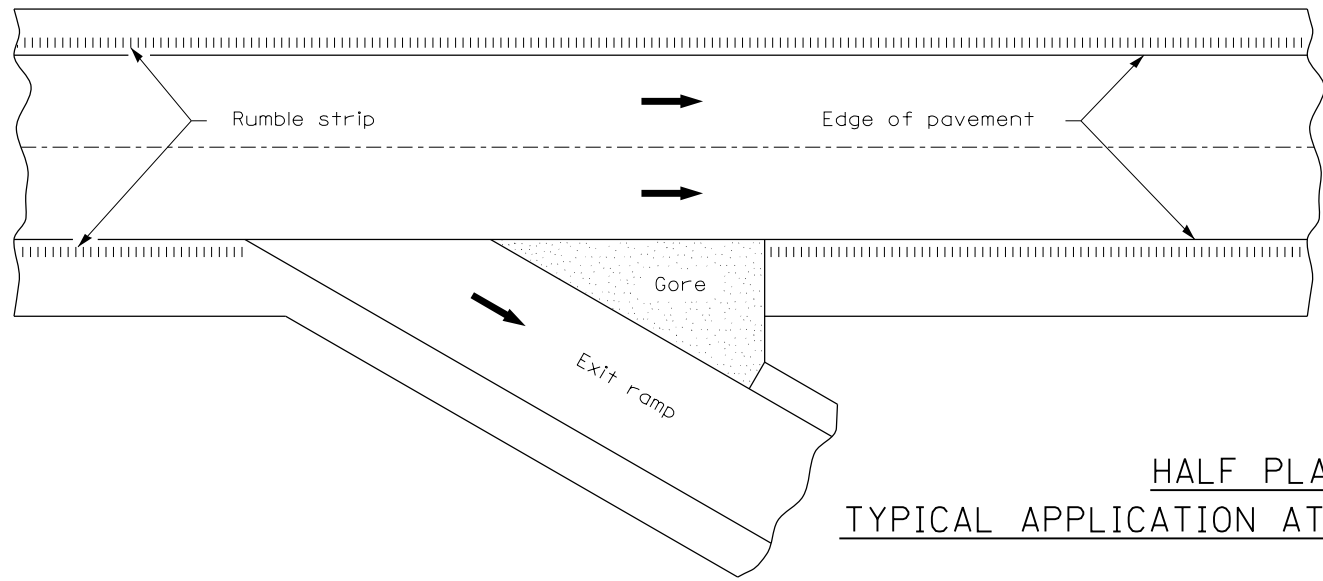
PLAN



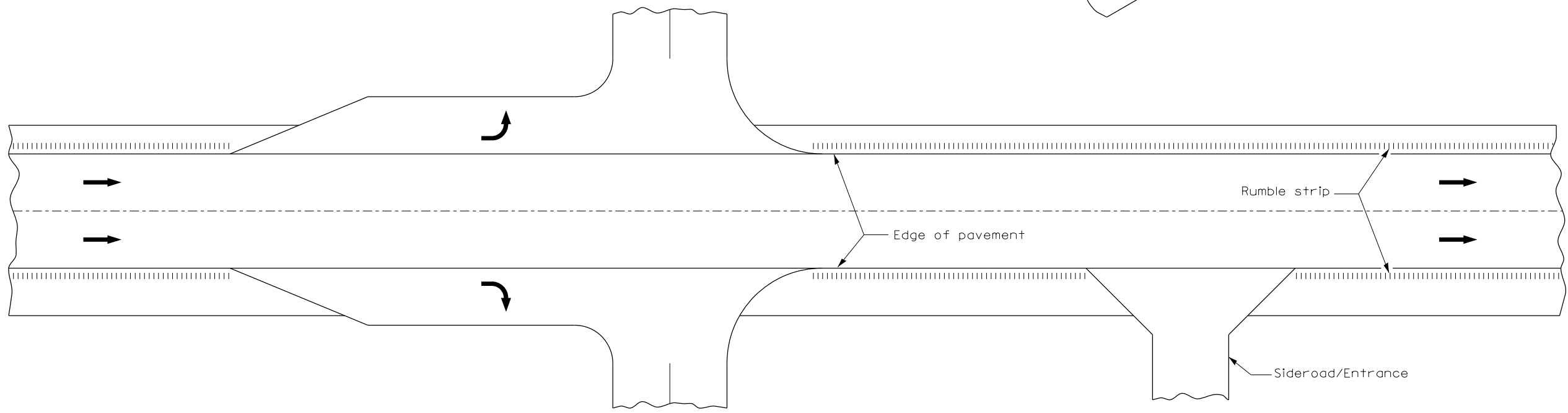
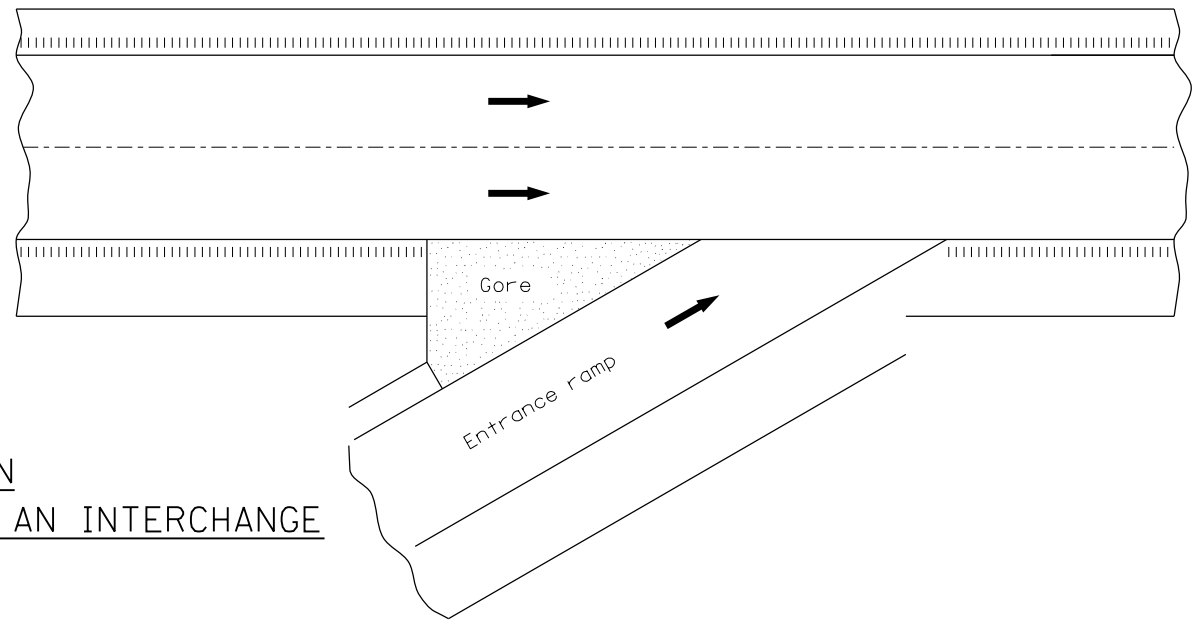
SECTION A-A



SECTION B-B



HALF PLAN
TYPICAL APPLICATION AT AN INTERCHANGE



HALF PLAN
TYPICAL APPLICATION EXPRESSWAY INTERSECTION

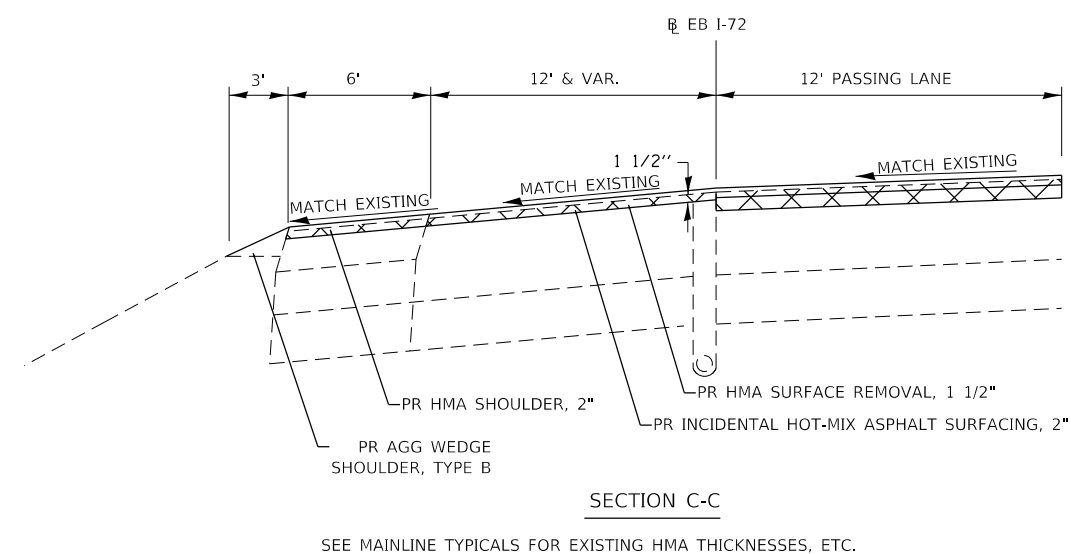
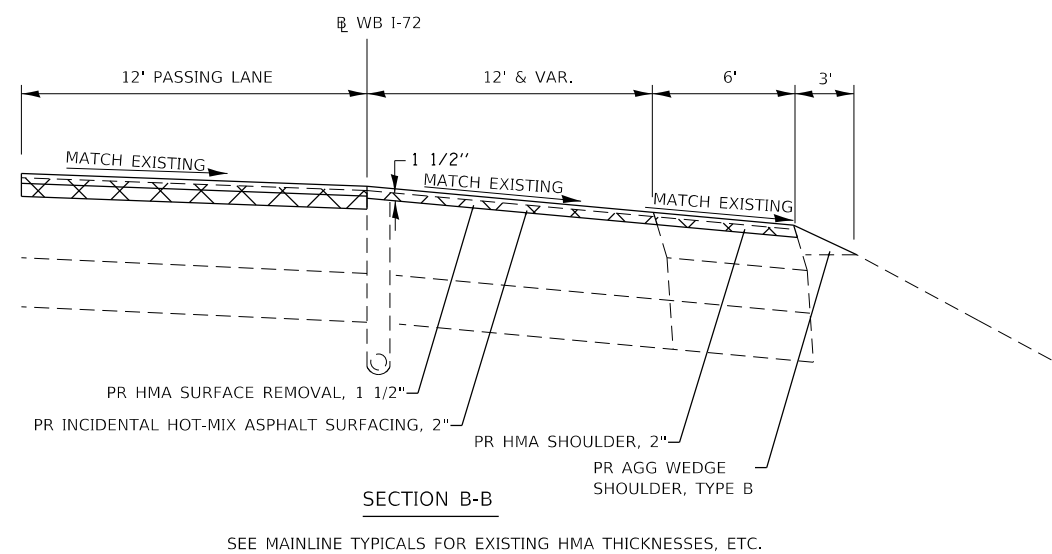
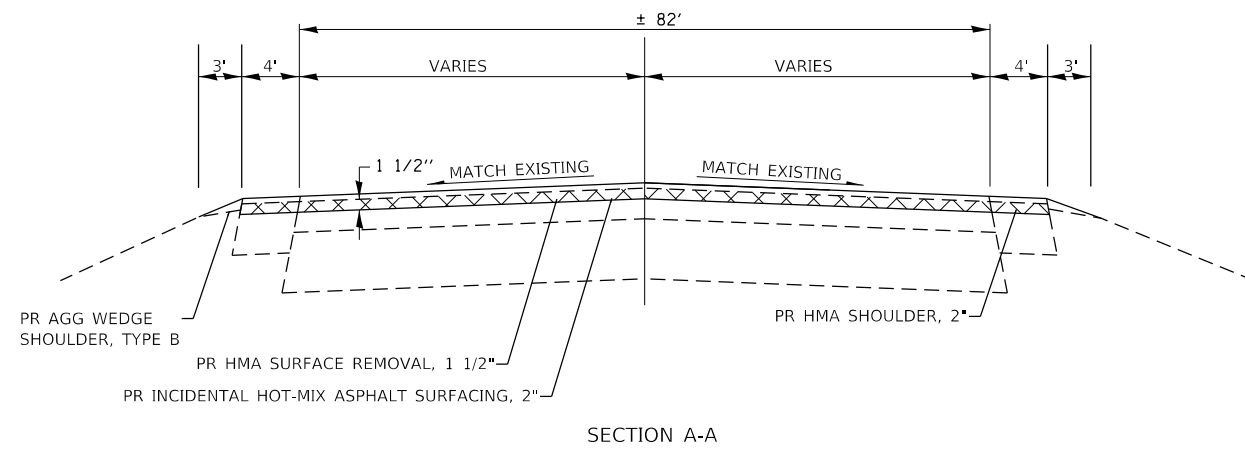
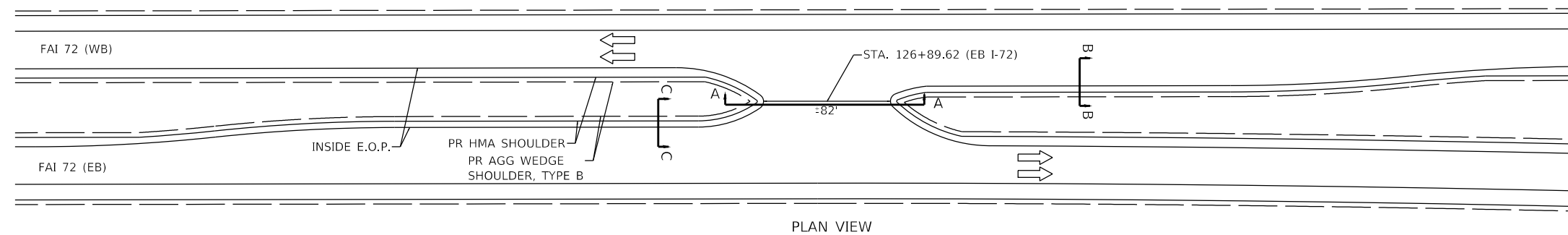
MODEL: Default
FILE: N:\mde...03\072198-98-91-draw\rs.dgn

| | | |
|------------------------------------|------------|-----------|
| USER NAME = bemery | DESIGNED - | REVISED - |
| | DRAWN - | REVISED - |
| PLOT SCALE = 200.0000' / in. | CHECKED - | REVISED - |
| PLOT DATE = 7/25/2018 - 2:04:45 PM | DATE - | REVISED - |

STATE OF ILLINOIS
DEPARTMENT OF TRANSPORTATION

| RUMBLE STRIPS DETAIL | | | |
|----------------------|---------|----|--------|
| SCALE: N.T.S. | SHEET | OF | SHEETS |
| STA. | TO STA. | | |

| F.A.I. RTE. | SECTION | COUNTY | TOTAL SHEETS | SHEET NO. |
|---------------------------|------------------|--------|--------------|-----------|
| 72 | (75-1-1)RS-2,BRR | PIKE | 82 | 72 |
| CONTRACT NO. 72J98 | | | | |
| ILLINOIS FED. AID PROJECT | | | | |



NOTES:
 TWO DELINEATORS SHALL BE PLACED IN ADVANCE OF THE MEDIAN CROSSOVERS. ONE SHALL BE AT THE CROSSOVER, THE OTHER 800 FT IN ADVANCE OF THE FIRST. THE DELINEATOR AT THE CROSSOVER SHALL HAVE TWO REFLECTORS, AND THE DELINEATOR 800 FT IN ADVANCE SHALL HAVE THREE REFLECTORS

SEE MAINLINE TYPICALS FOR EXISTING HMA THICKNESSES, ETC.

SEE MAINLINE TYPICALS FOR EXISTING HMA THICKNESSES, ETC.

MODEL: Default
 FILE: \\nwr\p\030672\98-sh-crossover.dgn

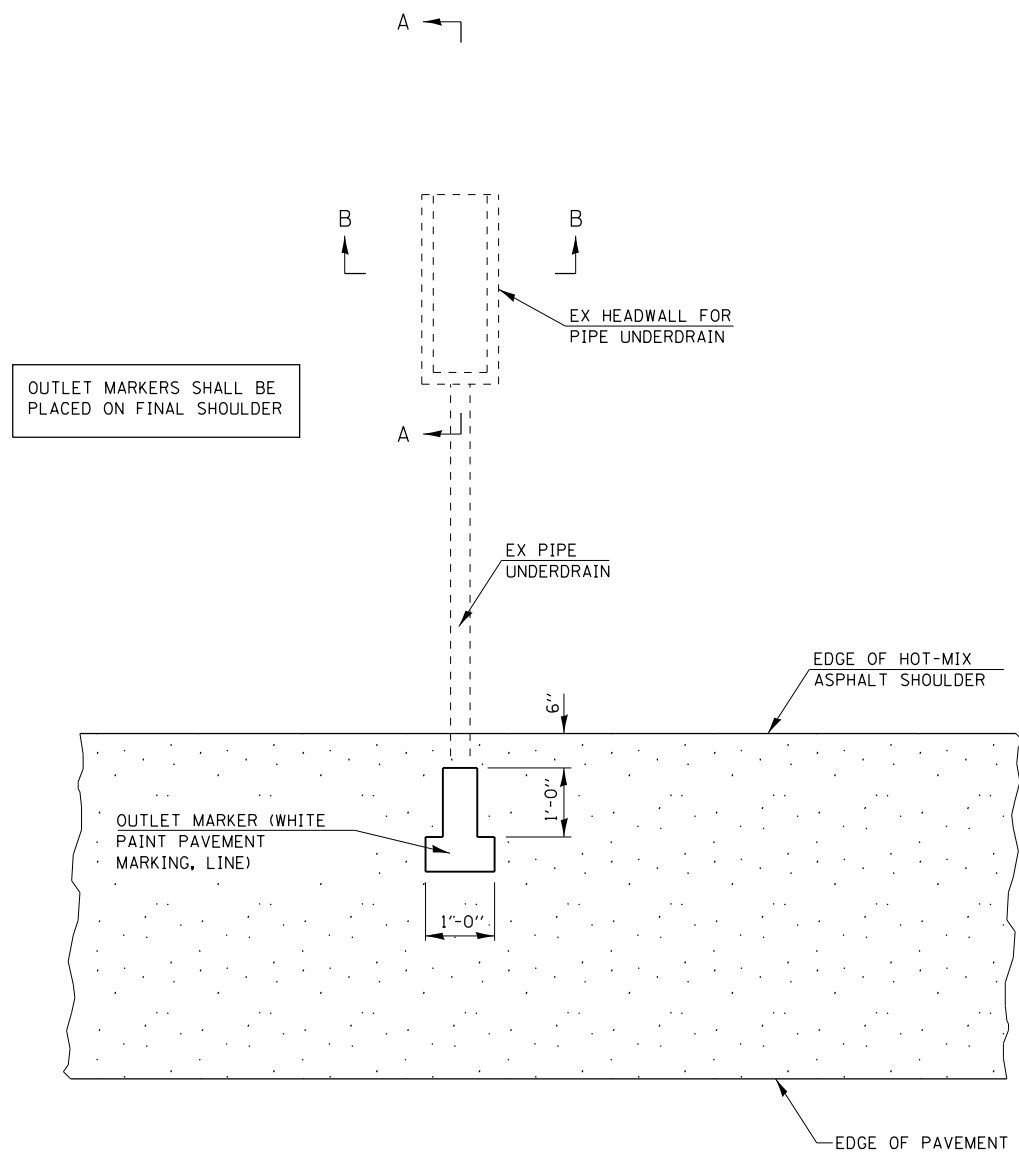
| | | |
|------------------------------------|------------|-----------|
| USER NAME = bemery | DESIGNED - | REVISED - |
| | DRAWN - | REVISED - |
| PLOT SCALE = 200.0000' / in. | CHECKED - | REVISED - |
| PLOT DATE = 7/25/2018 - 2:04:46 PM | DATE - | REVISED - |

**STATE OF ILLINOIS
 DEPARTMENT OF TRANSPORTATION**

MEDIAN CROSSOVER DETAIL

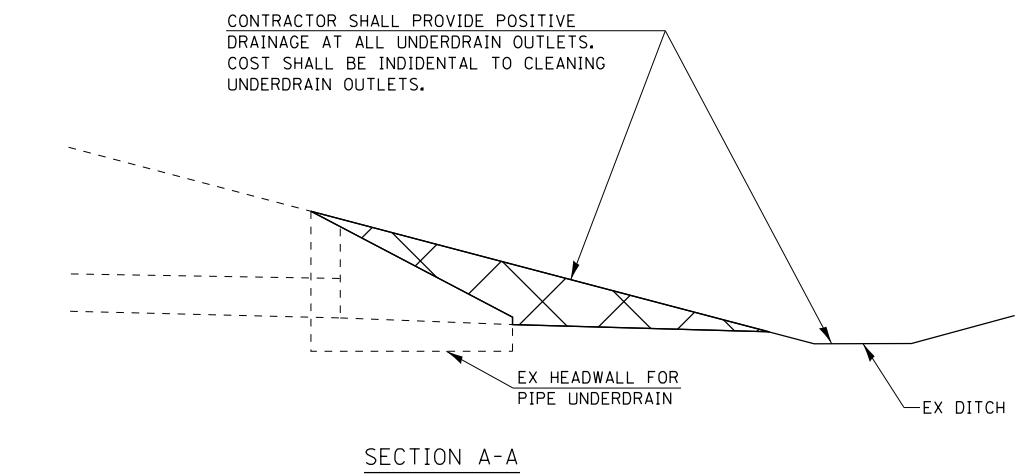
SCALE: N.T.S. SHEET OF SHEETS STA. TO STA.

| F.A.I. RTE. | SECTION | COUNTY | TOTAL SHEETS | SHEET NO. |
|--------------------|------------------|------------------|--------------|-----------|
| 72 | (75-1-1)RS-2,BRR | PIKE | 82 | 73 |
| CONTRACT NO. 72J98 | | | | |
| ILLINOIS | | FED. AID PROJECT | | |

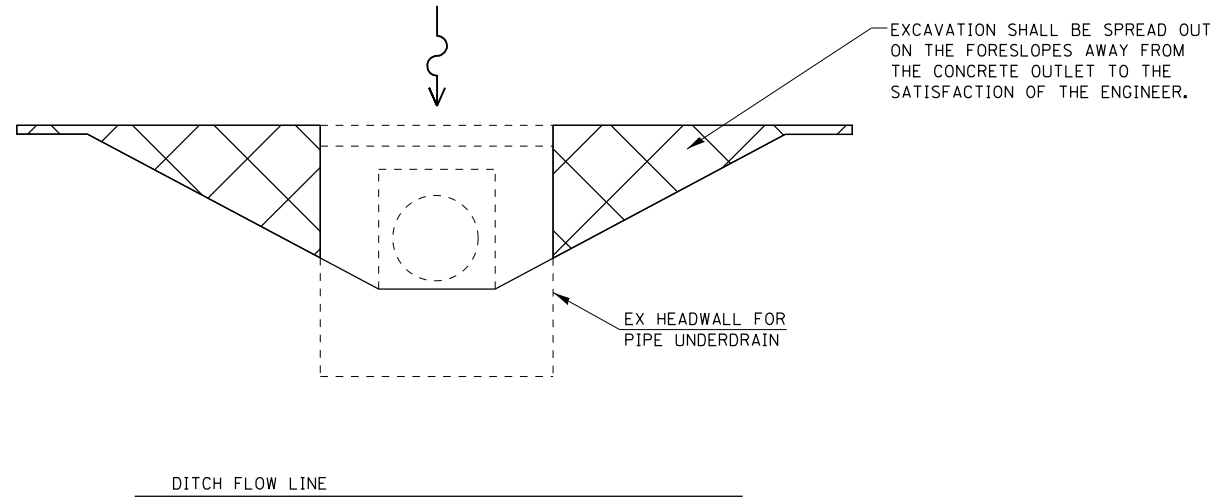


OUTLET MARKERS SHALL BE PLACED ON FINAL SHOULDER

PLAN FOR UNDERDRAIN OUTLET MARKER



SECTION A-A



SECTION B-B

MODEL: Default
FILE: Model.dwg
...0307298-sh-draw.dgn

| | | |
|------------------------------------|------------|-----------|
| USER NAME = bemery | DESIGNED - | REVISED - |
| | DRAWN - | REVISED - |
| PLOT SCALE = 200.0000' / in. | CHECKED - | REVISED - |
| PLOT DATE = 7/25/2018 - 2:04:46 PM | DATE - | REVISED - |

**STATE OF ILLINOIS
DEPARTMENT OF TRANSPORTATION**

| | | | |
|-------------------------------|-------|-----------|--------------|
| DRAINAGE OUTLET MARKER | | | |
| SCALE: N.T.S. | SHEET | OF SHEETS | STA. TO STA. |

| F.A.I. RTE. | SECTION | COUNTY | TOTAL SHEETS | SHEET NO. |
|---------------------------|------------------|--------|--------------|-----------|
| 72 | (75-1-1)RS-2,BRR | PIKE | 82 | 74 |
| CONTRACT NO. 72J98 | | | | |
| ILLINOIS FED. AID PROJECT | | | | |

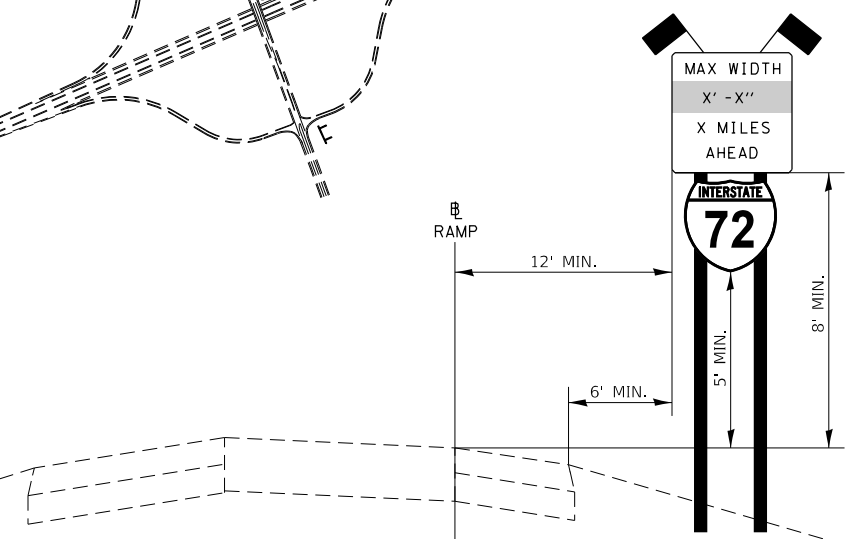
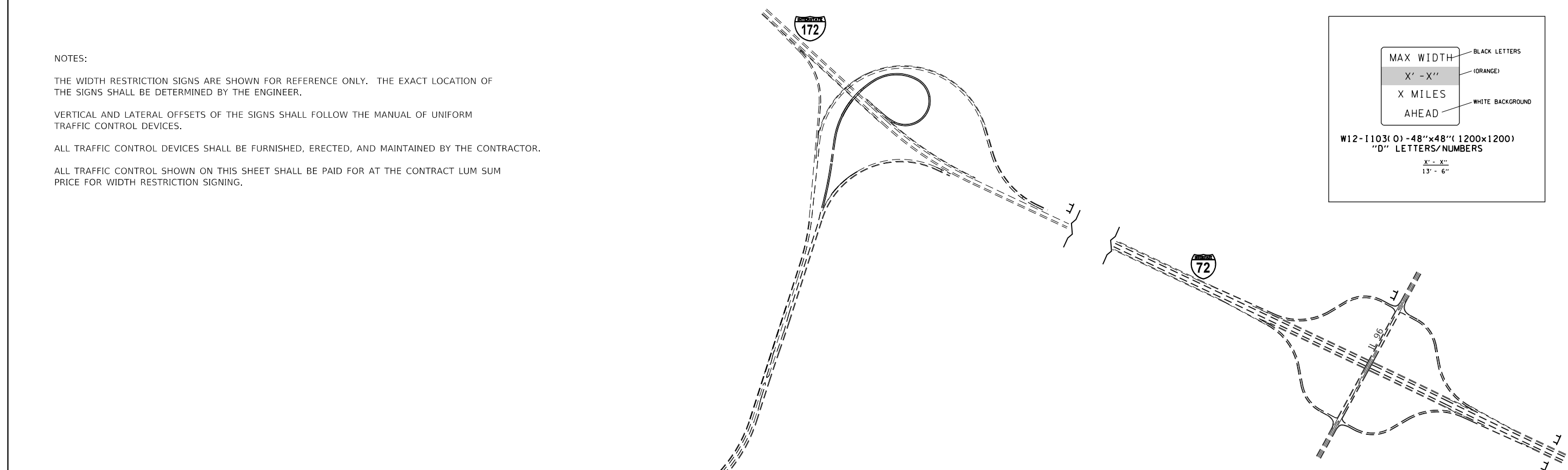
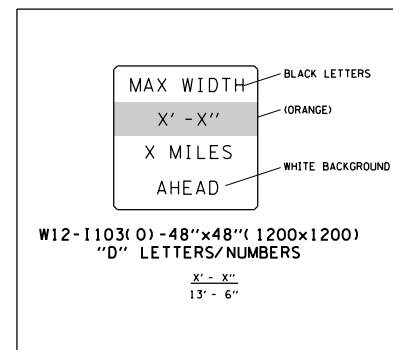
NOTES:

THE WIDTH RESTRICTION SIGNS ARE SHOWN FOR REFERENCE ONLY. THE EXACT LOCATION OF THE SIGNS SHALL BE DETERMINED BY THE ENGINEER.

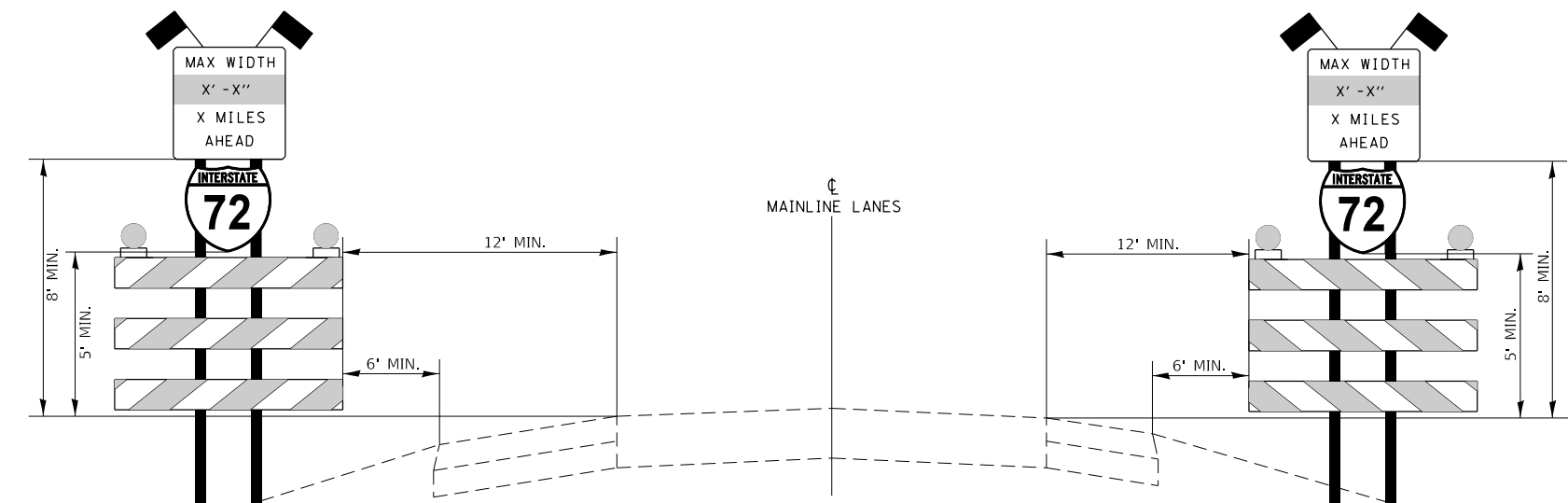
VERTICAL AND LATERAL OFFSETS OF THE SIGNS SHALL FOLLOW THE MANUAL OF UNIFORM TRAFFIC CONTROL DEVICES.

ALL TRAFFIC CONTROL DEVICES SHALL BE FURNISHED, ERECTED, AND MAINTAINED BY THE CONTRACTOR.

ALL TRAFFIC CONTROL SHOWN ON THIS SHEET SHALL BE PAID FOR AT THE CONTRACT LUM SUM PRICE FOR WIDTH RESTRICTION SIGNING.



TYPICAL APPLICATION - RAMP



TYPICAL APPLICATION MAINLINE

MODEL: Default
FILE: Model - 030827198-std-draw1.dgn

| | | |
|------------------------------------|------------|-----------|
| USER NAME = bemery | DESIGNED - | REVISED - |
| | DRAWN - | REVISED - |
| PLOT SCALE = 200.0000' / in. | CHECKED - | REVISED - |
| PLOT DATE = 7/25/2018 - 2:04:46 PM | DATE - | REVISED - |

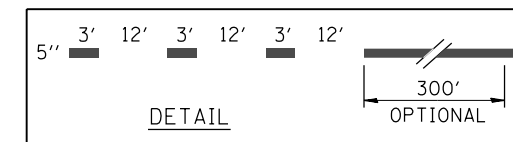
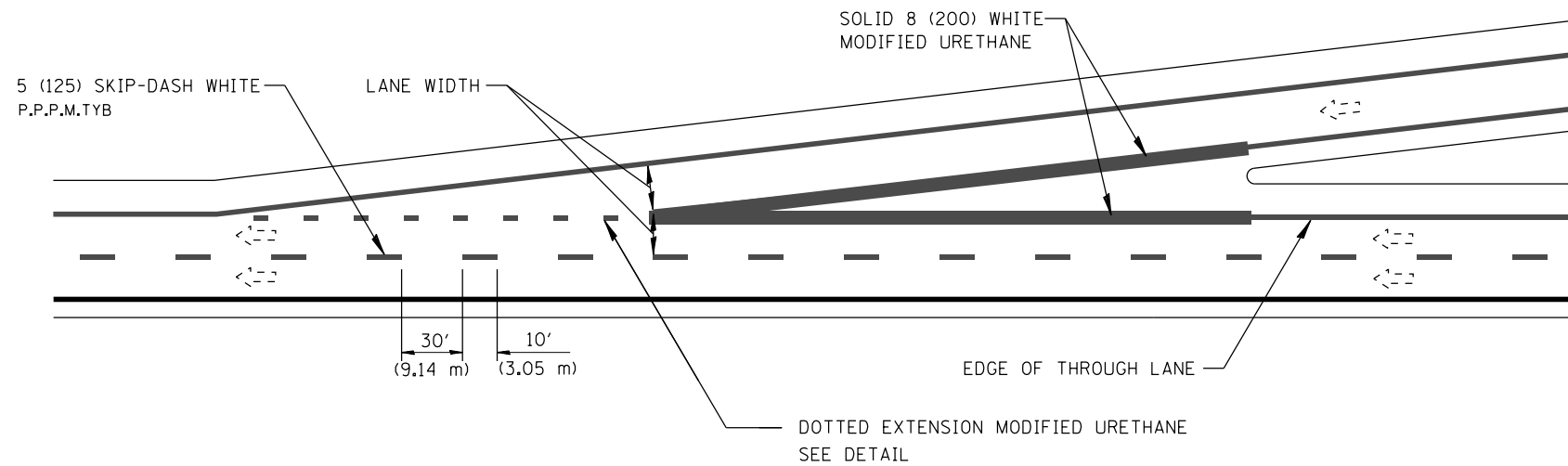
**STATE OF ILLINOIS
DEPARTMENT OF TRANSPORTATION**

WIDTH RESTRICTION SIGNING DETAIL

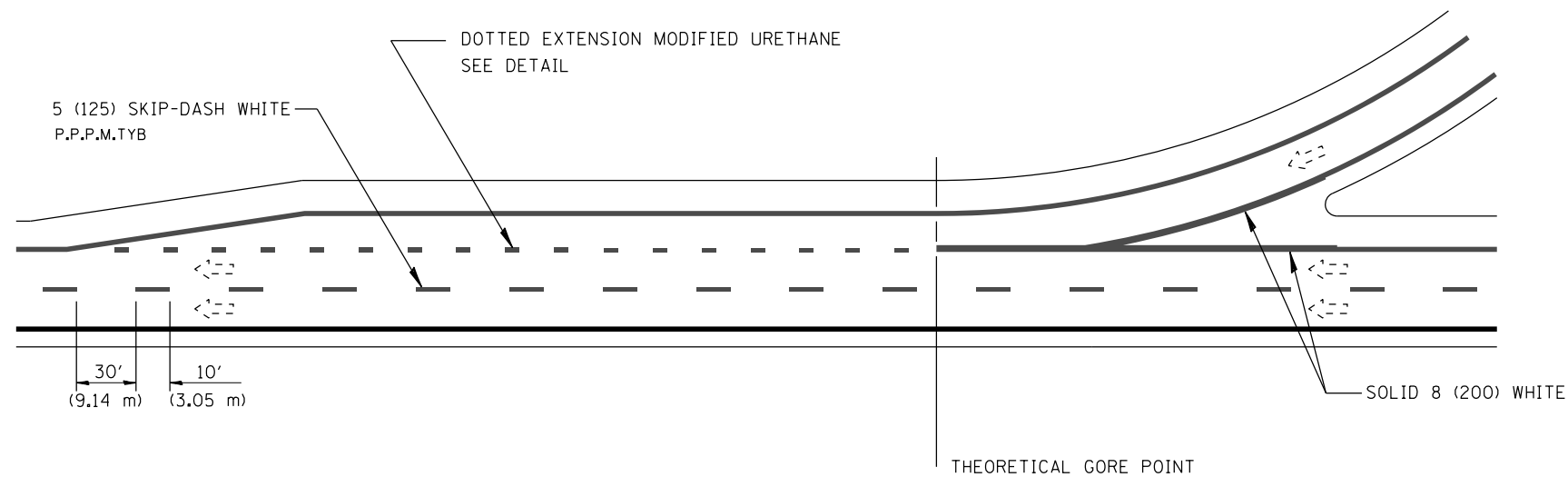
SCALE: N.T.S. SHEET OF SHEETS STA. TO STA.

| F.A.I. RTE. | SECTION | COUNTY | TOTAL SHEETS | SHEET NO. |
|---------------------------|------------------|--------|--------------|-----------|
| 72 | (75-1-1)RS-2,BRR | PIKE | 82 | 75 |
| CONTRACT NO. 72J98 | | | | |
| ILLINOIS FED. AID PROJECT | | | | |

A - TAPERED ACCELERATION LANE



B - PARALLEL ACCELERATION LANE



ENTRANCE RAMP MARKINGS

All dimensions are in inches (millimeters) unless otherwise noted.

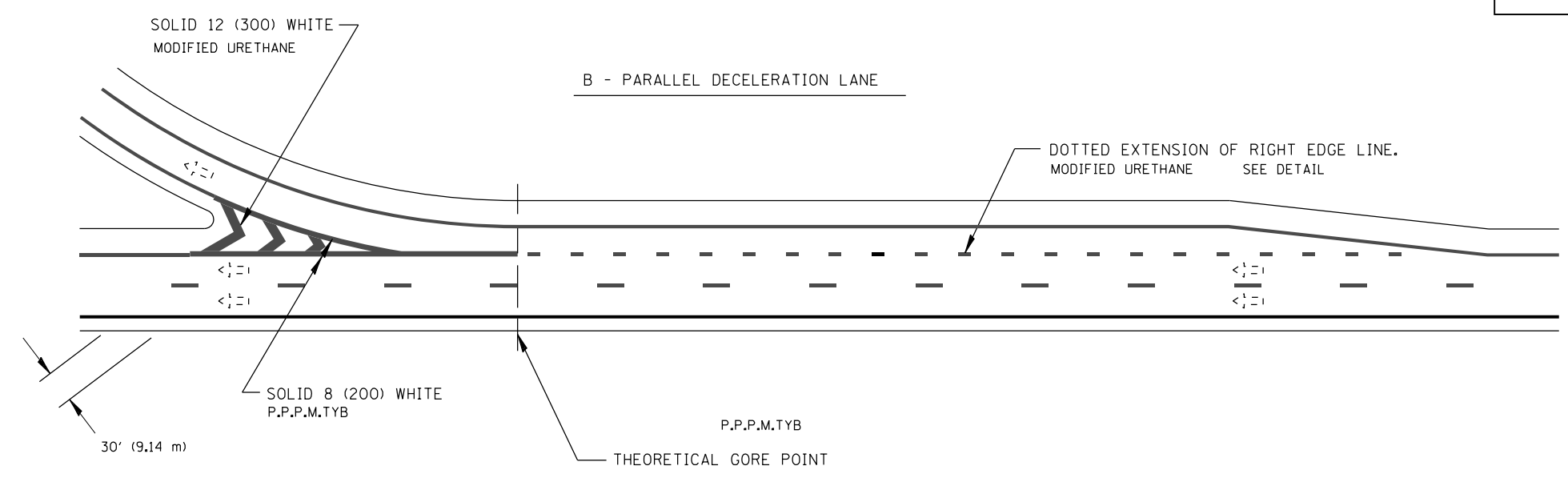
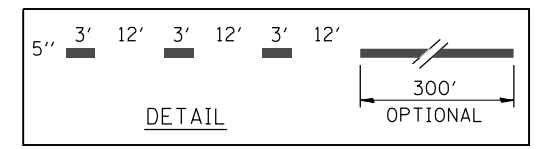
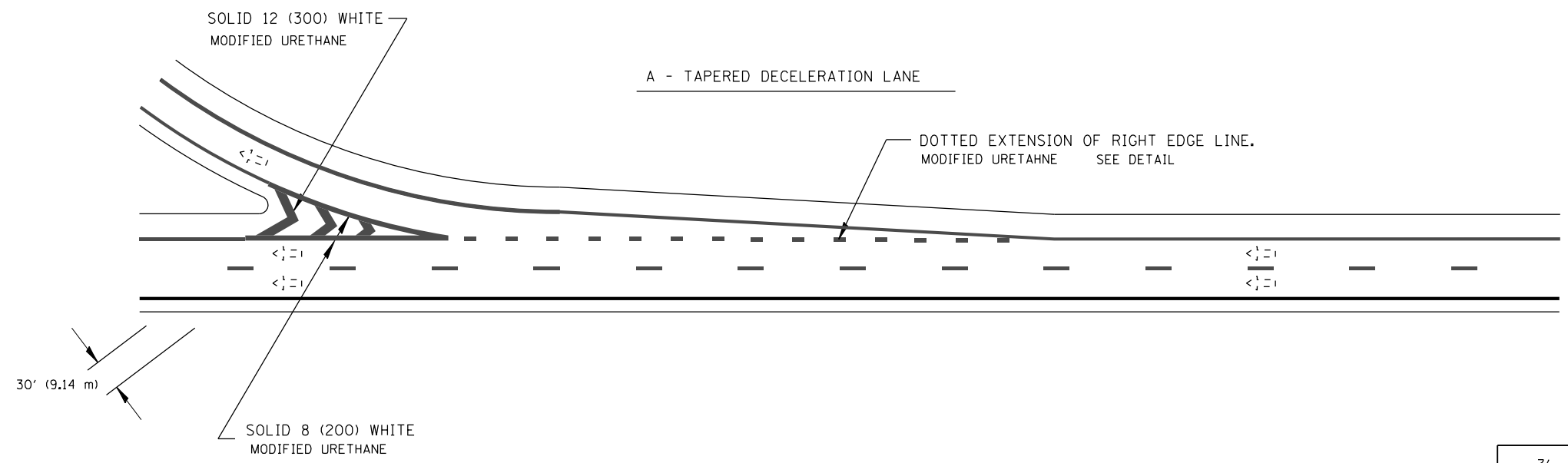
MODEL: Default
FILE: Model - 03067298-std-draw1.dgn

| | | |
|------------------------------------|------------|-----------|
| USER NAME = bemery | DESIGNED - | REVISED - |
| | DRAWN - | REVISED - |
| PLOT SCALE = 200,0000' / in. | CHECKED - | REVISED - |
| PLOT DATE = 7/25/2018 - 2:04:47 PM | DATE - | REVISED - |

**STATE OF ILLINOIS
DEPARTMENT OF TRANSPORTATION**

| | | | |
|--|-------|-----------|--------------|
| D6 PAVEMENT MARKING STANDARD | | | |
| ENTRANCE RAMP MARKINGS - FREEWAY & EXPRESSWAY | | | |
| SCALE: N.T.S. | SHEET | OF SHEETS | STA. TO STA. |

| F.A.I. RTE. | SECTION | COUNTY | TOTAL SHEETS | SHEET NO. |
|---------------------------|------------------|--------|--------------|-----------|
| 72 | (75-1-1)RS-2,BRR | PIKE | 82 | 76 |
| CONTRACT NO. 72J98 | | | | |
| ILLINOIS FED. AID PROJECT | | | | |



EXIT RAMP MARKINGS

All dimensions are in inches (millimeters) unless otherwise noted.

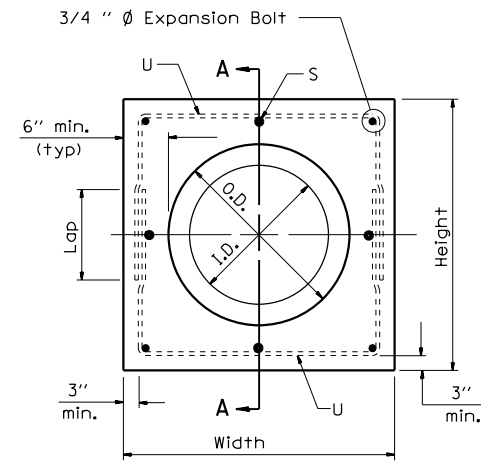
MODEL: Default
FILE: 72J98-100-001-001.dwg

| | | |
|------------------------------------|------------|-----------|
| USER NAME = bemery | DESIGNED - | REVISED - |
| | DRAWN - | REVISED - |
| PLOT SCALE = 200.0000' / in. | CHECKED - | REVISED - |
| PLOT DATE = 7/25/2018 - 2:04:47 PM | DATE - | REVISED - |

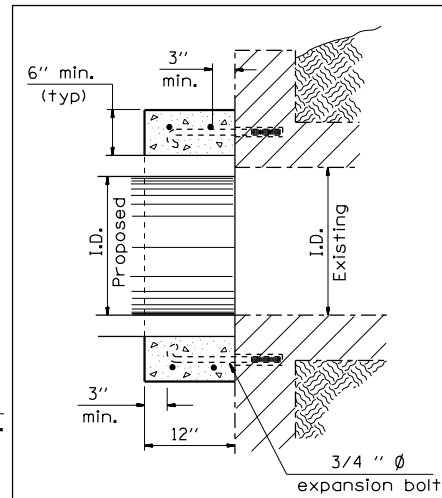
**STATE OF ILLINOIS
DEPARTMENT OF TRANSPORTATION**

| | | | |
|---|-------|-----------|--------------|
| D6 PAVEMENT MARKING STANDARD ENTRANCE RAMP MARKINGS - FREEWAY & EXPRESSWAY | | | |
| SCALE: N.T.S. | SHEET | OF SHEETS | STA. TO STA. |

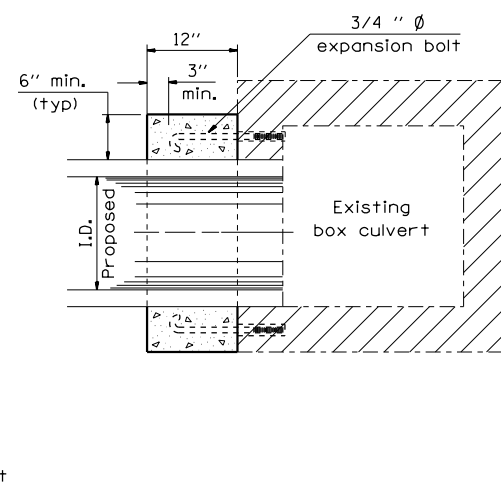
| F.A.I. RTE. | SECTION | COUNTY | TOTAL SHEETS | SHEET NO. |
|---------------------------|------------------|--------|--------------|-----------|
| 72 | (75-1-1)RS-2,BRR | PIKE | 82 | 77 |
| CONTRACT NO. 72J98 | | | | |
| ILLINOIS FED. AID PROJECT | | | | |



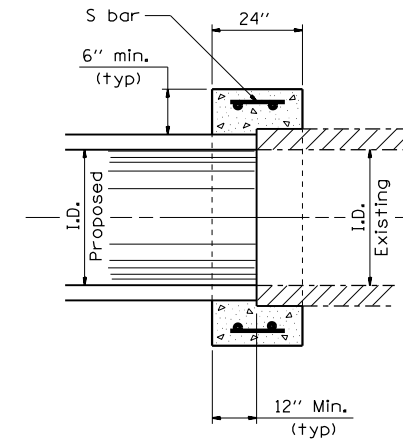
PIPE CULVERT EXTENSION COLLAR



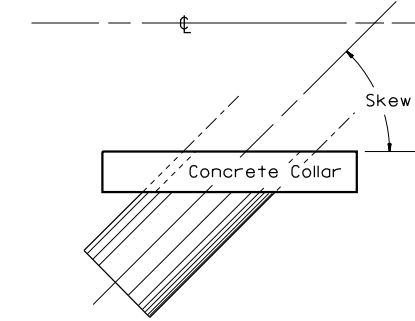
Section Type A
(Box end extension)



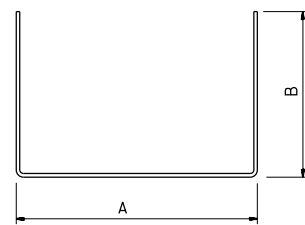
Section Type B
(Pipe in side extension)



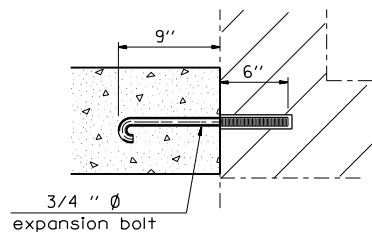
Section Type C
(Pipe end to pipe end extension
No expansion bolts required)



Section A - A



#4 U - bar

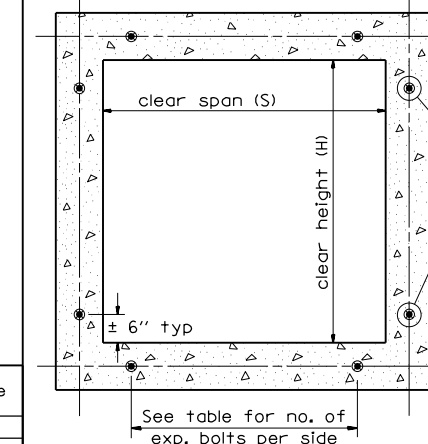


Expansion Bolt Detail

Notes:

- Expansion bolts shall consist of self drilling expansion shields and 3/4" Ø hooked bolts. Hooked bolts shall extend a minimum of 9" into new concrete. Minimum Certified Proof Load - 4,080 lbs.
- Use minimum of 1 (one) expansion bolt at each corner.

BOX CULVERT POURED IN PLACE EXTENSION



Section Thru Barrel

EXPANSION BOLTS REQUIRED FOR CULVERT EXTENSIONS

| H or S | No. Expansion Bolts Req'd. Per Side | | | |
|--------|-------------------------------------|---------|------------------|---------|
| | Extension ≤ 15ft | | Extension > 15ft | |
| | No. | Spacing | No. | Spacing |
| 24" | * | * | * | * |
| 30" | 2 | 18" | 2 | 18" |
| 36" | 2 | 24" | 2 | 24" |
| 48" | 3 | 18" | 3 | 18" |
| 60" | 4 | 16" | 3 | 24" |
| 72" | 5 | 15" | 4 | 20" |
| 84" | 5 | 18" | 4 | 24" |
| 96" | 6 | 17" | 5 | 21" |
| 108" | 6 | 19" | 5 | 24" |
| 120" | 7 | 18" | 6 | 21" |
| 132" | 8 | 17" | 6 | 24" |
| 144" | 8 | 19" | 7 | 22" |

Note: Number of expansion bolts in table based on non-skewed culverts.

* Use minimum 1 (one) expansion bolt in each corner.

| Station | Section Type | Skew | Existing Culvert Size | Proposed Culvert | | Collar | | Reinforcement Bars | | | | | | | Expansion Bolts 3/4" | Class S1 Concrete Collar | | | |
|---------|--------------|------|-----------------------|------------------|-------|--------|-------|--------------------|------|--------|-------|------|---|---|----------------------|--------------------------|----|------|-----------------|
| | | | | I.D. | O.D. | Height | Width | S bar | | | U bar | | | | | | | | |
| | | | | | | | | No. | Size | Length | No. | Size | A | B | Lap | Length | lb | Each | yd ³ |
| 77+50 | 172 EB | B | 12 INCH | 12 IN | 12 IN | 24 IN | 24 IN | | | | | | | | | | | 4 | 0.15 |
| 577+50 | 172 EB | B | 12 INCH | 12 IN | 12 IN | 24 IN | 24 IN | | | | | | | | | | | 4 | 0.15 |
| Total | | | | | | | | | | | | | | | | | 8 | 0.3 | |

MODEL: Default
FILE: N:\m\18-000\67298-sh-collars.dgn

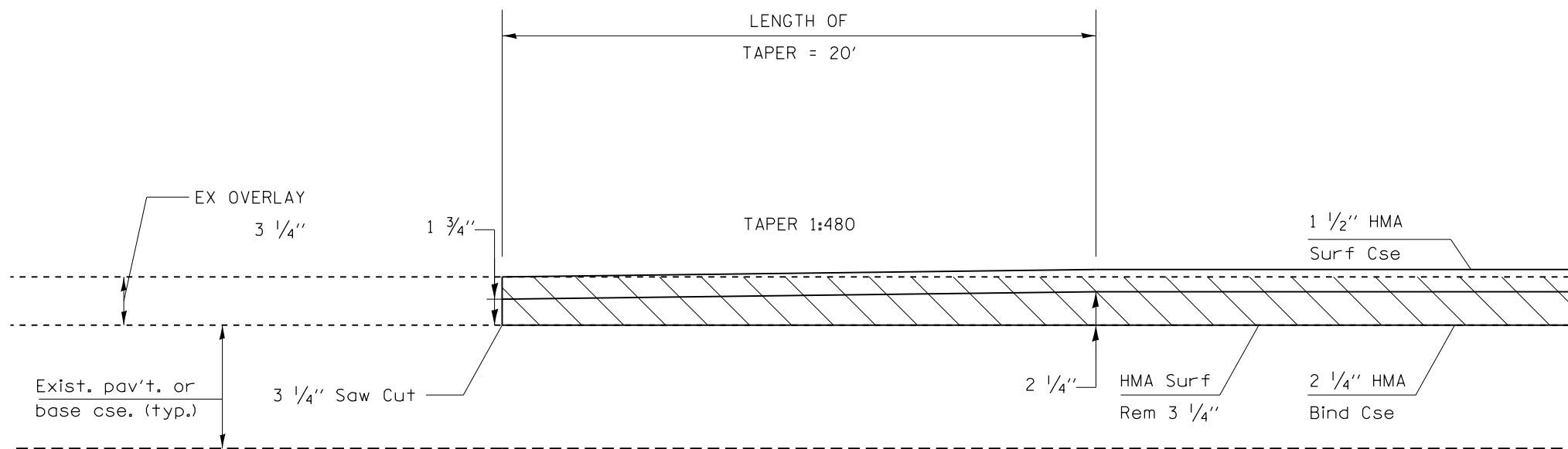
| | | |
|------------------------------------|------------|-----------|
| USER NAME = bemery | DESIGNED - | REVISED - |
| PLOT SCALE = 200.0000' / in. | DRAWN - | REVISED - |
| PLOT DATE = 7/25/2018 - 2:04:47 PM | CHECKED - | REVISED - |
| | DATE - | REVISED - |

STATE OF ILLINOIS
DEPARTMENT OF TRANSPORTATION

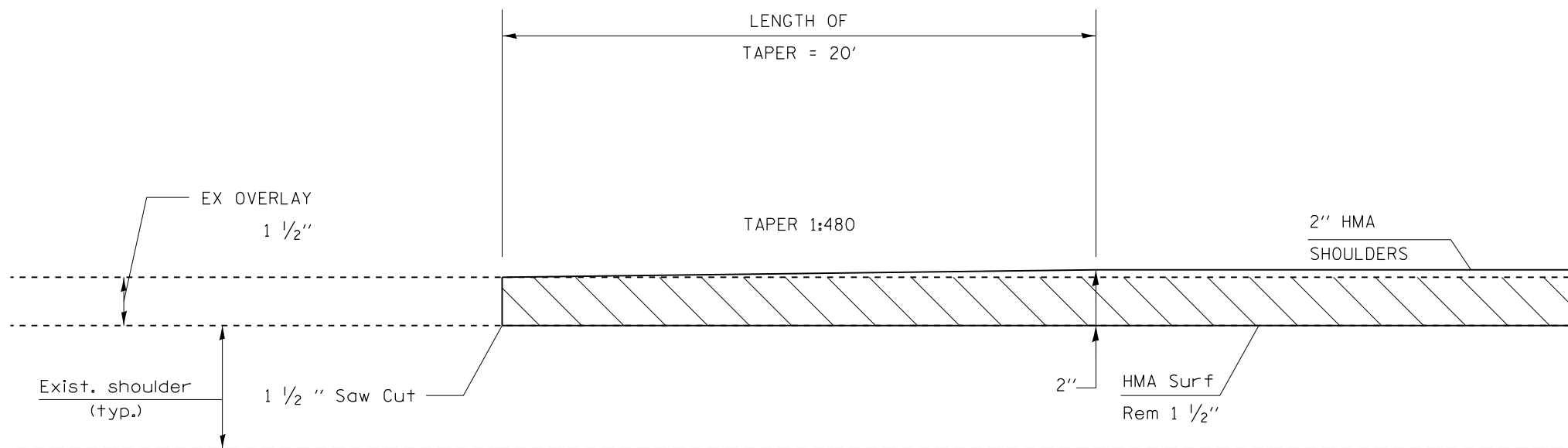
CONCRETE COLLAR AND
CULVERT EXTENSION DETAILS

SCALE: N.T.S. SHEET OF SHEETS STA. TO STA.

| F.A.I. RTE. | SECTION | COUNTY | TOTAL SHEETS | SHEET NO. |
|---------------------------|------------------|--------|--------------|-----------|
| 72 | (75-1-1)RS-2,BRR | PIKE | 82 | 78 |
| CONTRACT NO. 72J98 | | | | |
| ILLINOIS FED. AID PROJECT | | | | |



Detail A



Detail B

MODEL: Default
FILE: Model - 030672J98-910-drawings.dgn

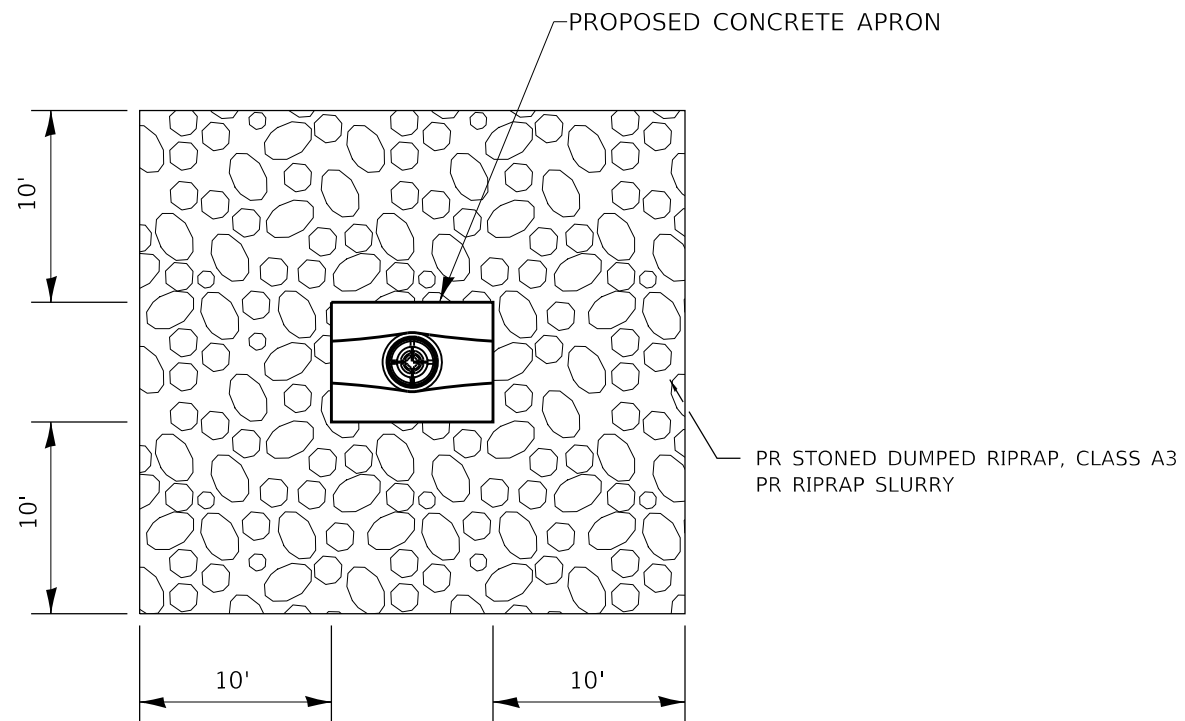
| | | |
|------------------------------------|------------|-----------|
| USER NAME = bemery | DESIGNED - | REVISED - |
| | DRAWN - | REVISED - |
| PLOT SCALE = 200.0000' / in. | CHECKED - | REVISED - |
| PLOT DATE = 7/25/2018 - 2:04:47 PM | DATE - | REVISED - |

STATE OF ILLINOIS
DEPARTMENT OF TRANSPORTATION

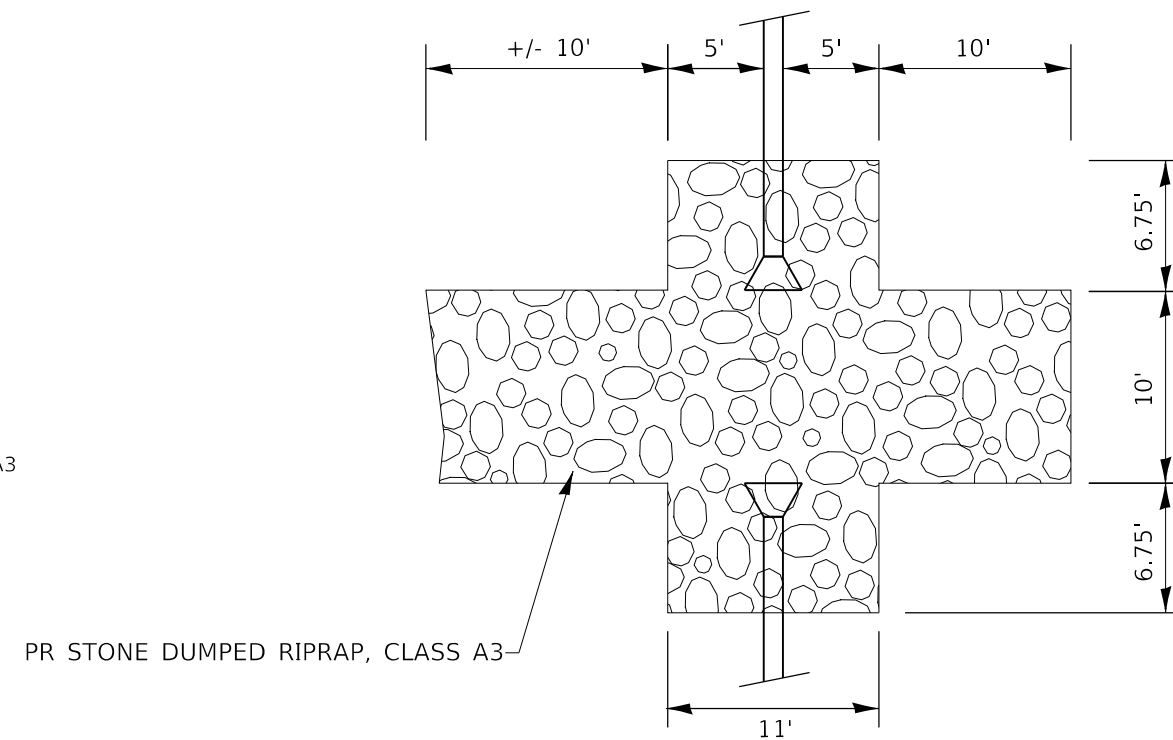
BUTT JOINT AND
TRANSITION DETAILS

SCALE: N.T.S. SHEET OF SHEETS STA. TO STA.

| F.A.I. RTE. | SECTION | COUNTY | TOTAL SHEETS | SHEET NO. |
|---------------------------|------------------|--------|--------------|-----------|
| 72 | (75-1-1)RS-2,BRR | PIKE | 82 | 79 |
| CONTRACT NO. 72J98 | | | | |
| ILLINOIS FED. AID PROJECT | | | | |



TO BE USED
I-72 WB STA 600+60 LT
I-72 WB STA 615+00 RT
I-72 WB STA 621+00 RT



TO BE USED
I-72 WB STA 577+48.00 RT

MODEL: Default
FILE: Model - 030622198-rt-draw1.dgn

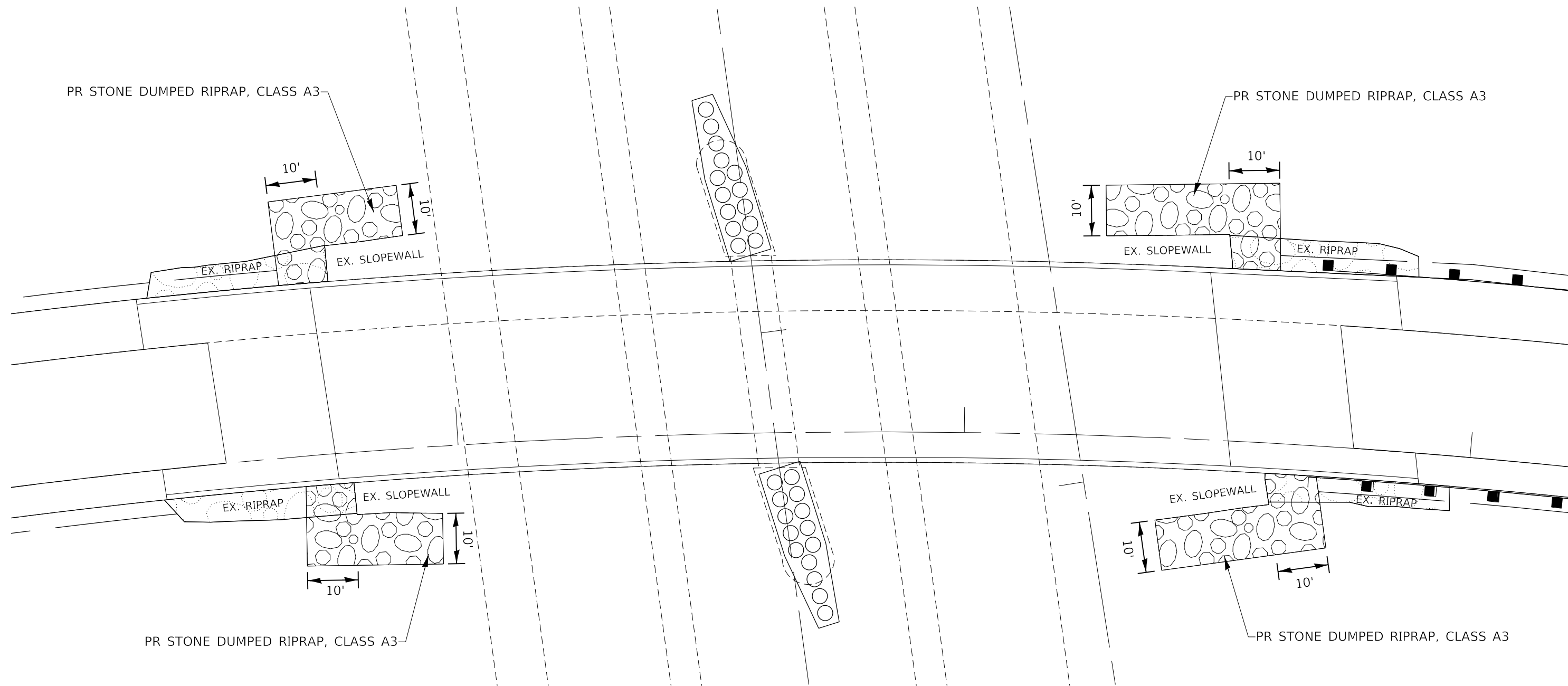
| | | |
|------------------------------------|------------|-----------|
| USER NAME = bemery | DESIGNED - | REVISED - |
| | DRAWN - | REVISED - |
| PLOT SCALE = 200.0000' / in. | CHECKED - | REVISED - |
| PLOT DATE = 7/25/2018 - 2:04:48 PM | DATE - | REVISED - |

STATE OF ILLINOIS
DEPARTMENT OF TRANSPORTATION

RIPRAP DETAIL

SCALE: N.T.S. SHEET OF SHEETS STA. TO STA.

| F.A.I. RTE. | SECTION | COUNTY | TOTAL SHEETS | SHEET NO. |
|---------------------------|------------------|--------|--------------|-----------|
| 72 | (75-1-1)RS-2,BRR | PIKE | 82 | 80 |
| CONTRACT NO. 72J98 | | | | |
| ILLINOIS FED. AID PROJECT | | | | |



TO BE USED AT SN 075-0130

I-72 WB STA 674+67.42 LT
 I-72 WB STA 674+69.41 RT

I-72 WB STA 676+60.57 LT
 I-72 WB STA 676+69.92 RT

NOTES:

CONTROLLED LOW STRENGTH MATERIAL SHALL BE USED TO FILL THE VOIDS UNDERNEATH THE SLOPE WALL. THIS WORK SHALL BE PAID FOR ACCORDING TO ARTICLE 109.04 OF THE STANDARD SPECIFICATIONS.

MODEL: Default
 FILE: Model - 030672198-std-draw.dgn

| | | |
|------------------------------------|------------|-----------|
| USER NAME = bemery | DESIGNED - | REVISED - |
| | DRAWN - | REVISED - |
| PLOT SCALE = 200.0000' / in. | CHECKED - | REVISED - |
| PLOT DATE = 7/25/2018 - 2:04:48 PM | DATE - | REVISED - |

**STATE OF ILLINOIS
 DEPARTMENT OF TRANSPORTATION**

RIPRAP DETAIL

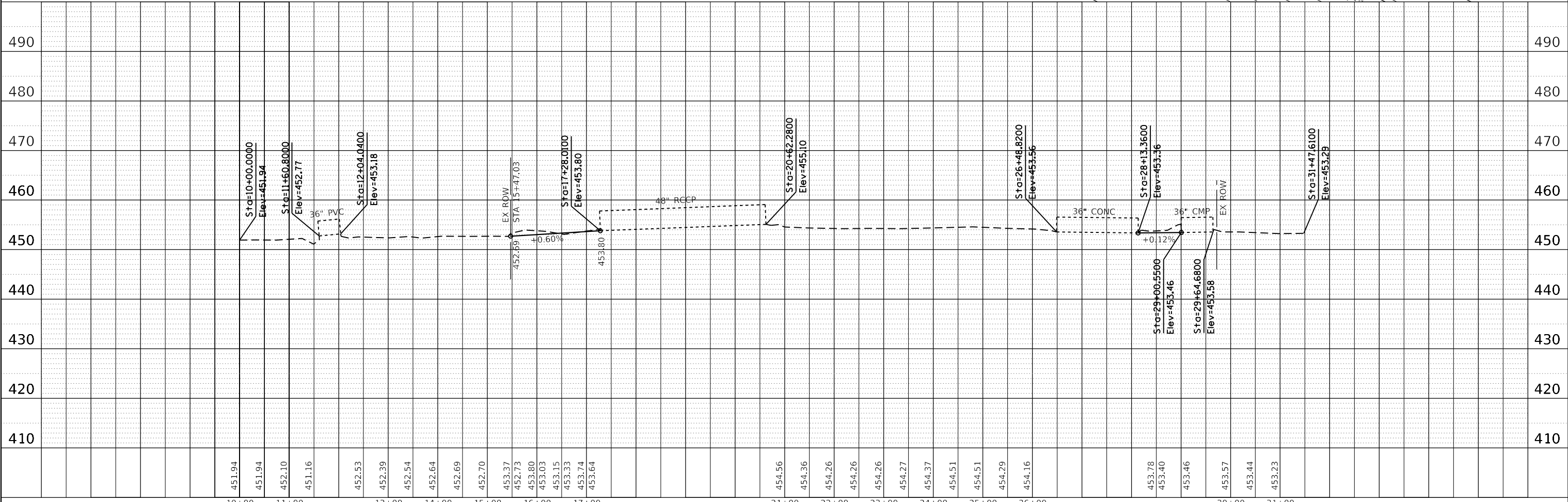
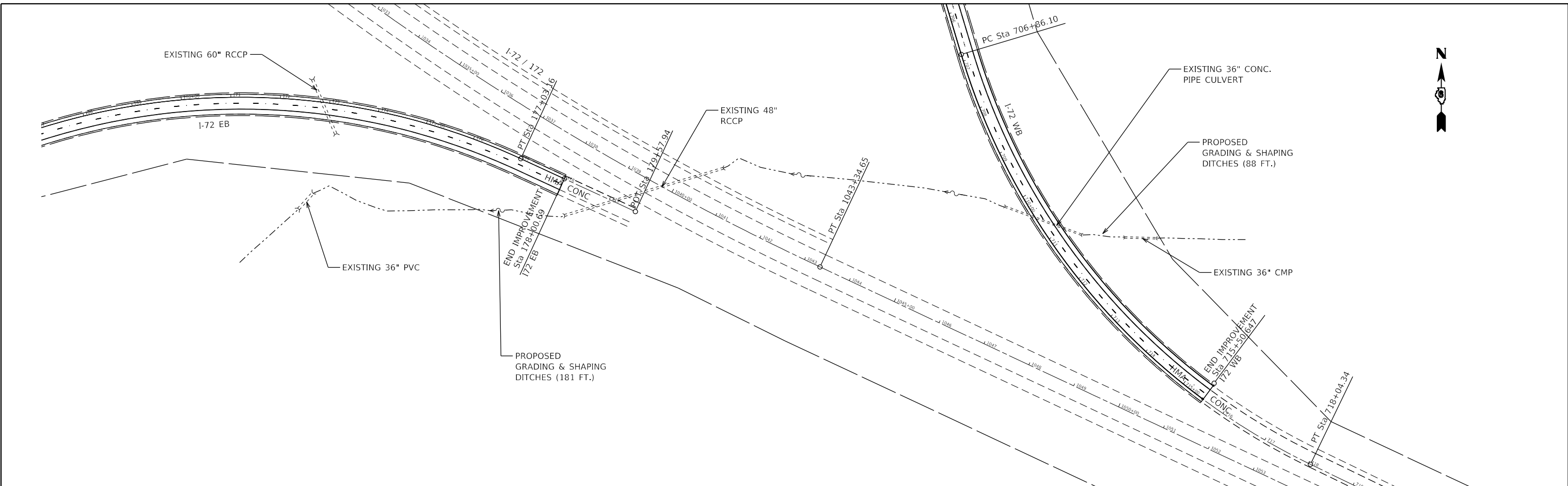
SCALE: N.T.S. SHEET OF SHEETS STA. TO STA.

| F.A.I. RTE. | SECTION | COUNTY | TOTAL SHEETS | SHEET NO. |
|---------------------------|------------------|--------|--------------|-----------|
| 72 | (75-1-1)RS-2,BRR | PIKE | 82 | 81 |
| CONTRACT NO. 72J98 | | | | |
| ILLINOIS FED. AID PROJECT | | | | |

| | | |
|---------------|-----------|-----------|
| PLAN | SURVEYED | DATE |
| | PLOTTED | BY |
| NOTE BOOK NO. | ALIGNED | CHECKED |
| | FILE NAME | FILE NAME |

| | | |
|---------------|---------------------|-----------|
| PROFILE | SURVEYED | DATE |
| | PLOTTED | BY |
| NOTE BOOK NO. | GRADES CHECKED | |
| | STRUCTURE NOTATIONS | FILE NAME |

MODEL: D:\Rail...
FILE NAME: ...30672916-shc-GRADING&SHAPING.dgn



| | | |
|------------------------------------|------------|-----------|
| USER NAME = bemy | DESIGNED - | REVISED - |
| PLOT SCALE = 200.0000' / in. | DRAWN - | REVISED - |
| PLOT DATE = 7/25/2018 - 2:05:17 PM | CHECKED - | REVISED - |
| | DATE - | REVISED - |

**STATE OF ILLINOIS
DEPARTMENT OF TRANSPORTATION**

| | | | |
|--------------------------------------|-------|-----------|--------------|
| GRADING & SHAPING DITCHES | | | |
| SCALE: | SHEET | OF SHEETS | STA. TO STA. |

| | | | | |
|---------------------------|----------|--------|--------------|-----------|
| F.A.I. RTE. | SECTION | COUNTY | TOTAL SHEETS | SHEET NO. |
| 72 | (75-1-1) | PIKE | 82 | 82 |
| CONTRACT NO. 72J98 | | | | |
| ILLINOIS FED. AID PROJECT | | | | |

