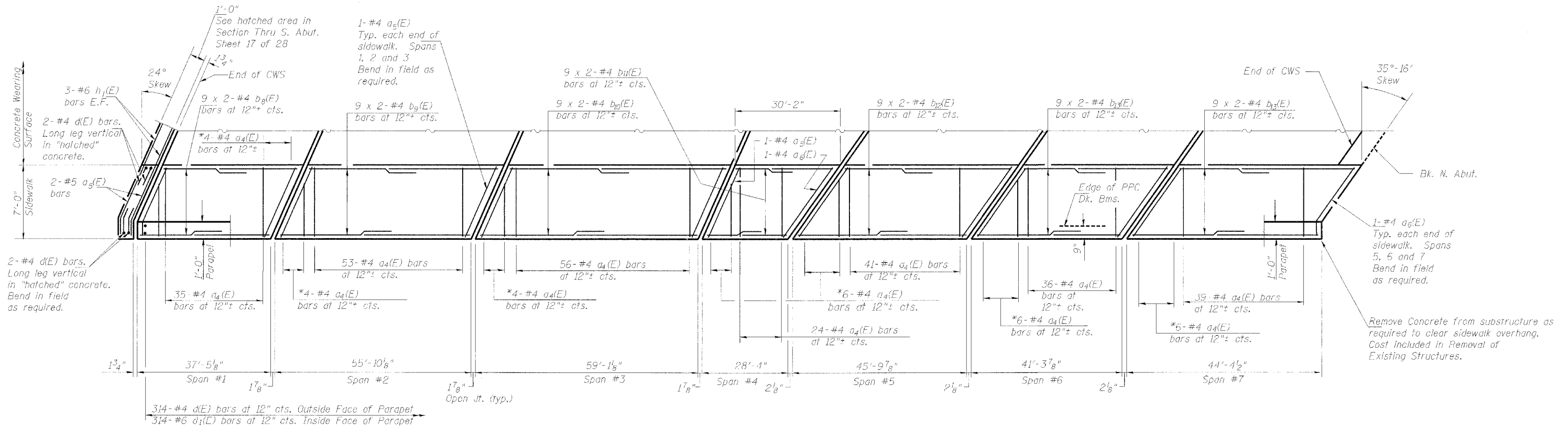
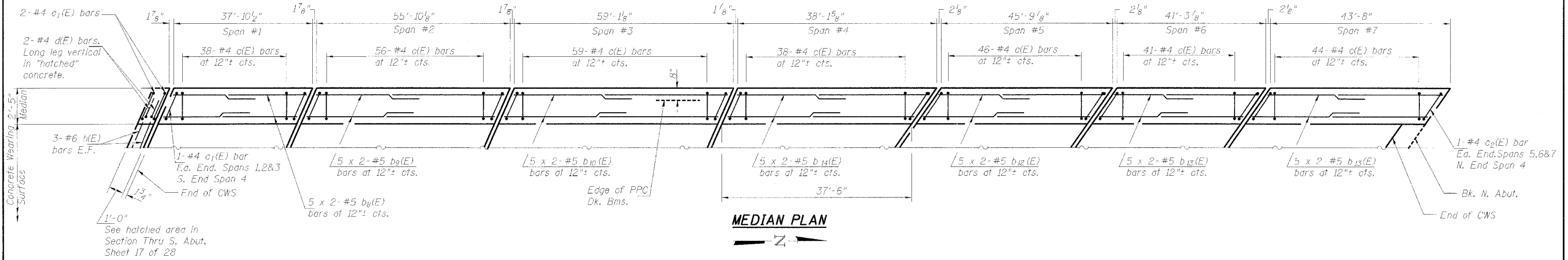


STATE OF ILLINOIS
DEPARTMENT OF TRANSPORTATION

ROUTE NO.	SECTION	COUNTY	SPANS	SHEET NO.	SHEET NO. 19
F.A.P. 368	1919 VB-R-1	Cook	47	28	28 SHEETS
FED. ROAD DIST. NO. 7	ILLINOIS	FED. AID PROJECT-			

Contract # 60C11



*Order a4(E) bars full length.
Cut to fit skew and use remainder of bars in opposite end.

BAR LAPS
#4 bars - 1'-4"

DESIGNED	DDB
CHECKED	LLV
DRAWN	MGM
CHECKED	DDR

SIDEWALK & MEDIAN PLAN VIEWS
F.A.P. 368 (PULASKI ROAD)
OVER BRC RAILROAD,
SECTION 1919 VB-R-1,
COOK COUNTY, STA. 17+81.60
STRUCTURE NO. 016-1020

STS Consultants
 111 NE Jefferson Ave.
 Peoria, Illinois 61602
 Ph(309)676-8464
 FAX(309)676-5445
 IL Design Firm Reg. No. 184-001518