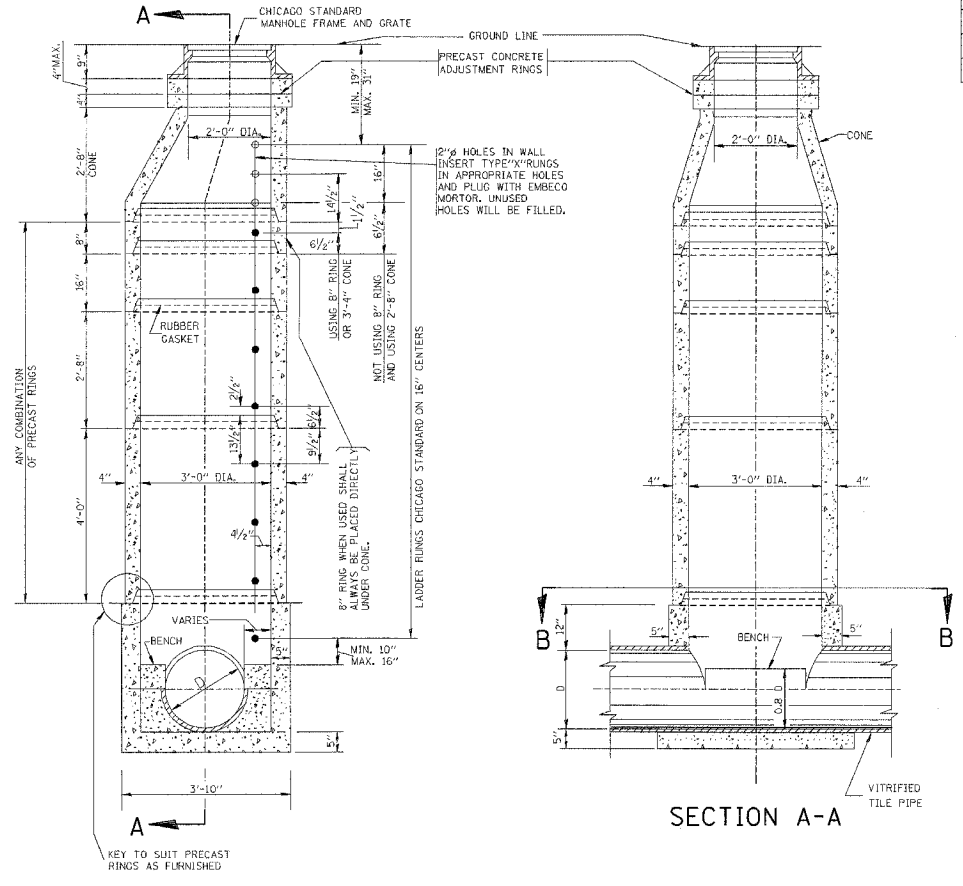


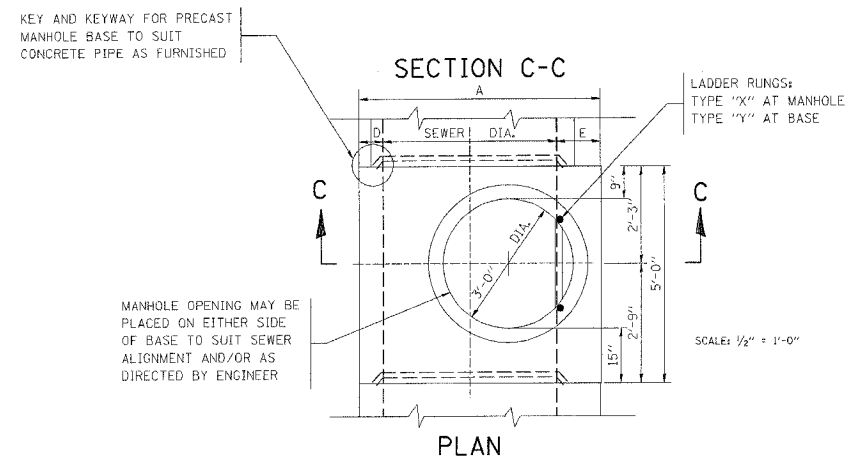
SECTION A-A

TYPE "A" MANHOLE
FOR SEWERS
24" TO 120" DIAMETER
PRECAST BASES AND RINGS

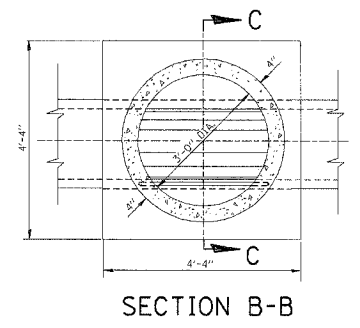


SECTION C-C

TYPE "A" MANHOLE
FOR SEWERS
21" DIAMETER AND SMALLER
PRECAST BASES AND RINGS



PLAN



SECTION B-B

SCALE: 1/2" = 1'-0"

SEWER DIA.	PART OF ITEM	DIMENSIONS OF PRECAST MANHOLE BASE															NO. "Y" RINGS	
		A	B	C	D	E	F	G	J	K	L	M	N	P	Q	R		
120"		12"-4 1/2"	12"	12"	12"	16 1/2"	12"	4'-0"	4'-0"	4'-4 1/2"	2'-7 1/2"	2'-5"	3'-7"	3'-7"	4'-8 1/2"	2'-0"	2 1/2"	7
108"		11"-4 1/2"	12"	12"	12"	16 1/2"	12"	3'-8"	3'-8"	4'-0 1/2"	2'-5"	2'-2"	3'-4"	3'-4"	4'-0 1/2"	2'-0"	8 1/2"	6
102"		10"-10 1/2"	12"	12"	12"	16 1/2"	12"	3'-6"	3'-6"	3'-10 1/2"	2'-4"	2'-1"	3'-2"	3'-2"	3'-8 1/2"	2'-0"	16 1/2"	5
96"	10-A	10"-2 1/2"	11"	11"	11"	15 1/2"	11"	3'-3"	3'-3"	3'-8 1/2"	2'-3"	2'-3"	2'-11"	2'-11"	3'-4 1/2"	2'-0"	9 1/2"	5
90"	10-B	9'-8 1/2"	11"	11"	11"	15 1/2"	11"	3'-1"	3'-1"	3'-6 1/2"	2'-1 1/2"	2'-2"	2'-10"	2'-10"	2'-10 1/2"	2'-0"	3 1/2"	5
84"	10-C	9'-0 1/2"	10"	10"	10"	14 1/2"	10"	2'-11"	2'-11"	3'-2 1/2"	2'-3"	2'-3"	2'-7"	2'-7"	2'-7 1/2"	2'-0"	12 1/2"	4
78"	10-D	8'-6 1/2"	10"	10"	10"	14 1/2"	10"	2'-9"	2'-9"	3'-0 1/2"	2'-2"	2'-2"	2'-6"	2'-6"	2'-2 1/2"	2'-0"	6 1/2"	4
72"	10	7"-10 1/2"	9"	9"	9"	13 1/2"	9"	2'-6"	2'-6"	2'-10 1/2"	2'-1"	2'-1"	18"	2'-3"	2'-3"	2'-0"	15 1/2"	3
66"	11	7'-4 1/2"	9"	9"	9"	13 1/2"	9"	2'-4"	2'-4"	2'-8 1/2"	19 1/2"	17"	2'-1"	2'-1"	18 1/2"	2'-0"	9 1/2"	3
60"	12	6'-8 1/2"	8"	8"	8"	12 1/2"	8"	2'-1 1/2"	2'-1 1/2"	2'-6"	18"	15"	2'-3"	2'-3"	13 1/2"	2'-0"	2 1/2"	3
54"	13	6'-2 1/2"	8"	8"	8"	12 1/2"	8"	2-3 1/2"	2-3 1/2"	2-4"	17"	14"	2-1"	2-1"	9 1/2"	2'-0"	12 1/2"	2
48"	14	5'-6 1/2"	7"	7"	7"	11 1/2"	7"	2-0 1/2"	2-0 1/2"	2-1"	15"	12 1/2"	18 1/2"	18 1/2"	5"	2'-0"	5 1/2"	2
42"	15	5'-0 1/2"	7"	7"	7"	11 1/2"	7"	18 1/2"	19"	2-3"	14"	11"	---	---	17 1/2"	2'-0"	2 1/2"	2
36"	16	4'-4 1/2"	6"	6"	6"	10 1/2"	6"	16"	16"	20 1/2"	12 1/2"	9 1/2"	---	---	10 1/2"	18"	14 1/2"	1
30"	17	4'-0"	6"	6"	6"	12"	6"	14"	14"	20"	12"	8 1/2"	---	---	6"	15"	11 1/2"	1
24"	18	4'-0"	6"	6"	6"	12"	6"	16"	16"	16"	9 1/2"	9 1/2"	---	---	6"	12"	8 1/2"	1

FOR STATE CONTRACT
ALL DIMENSIONS SHOULD
BE PREPARED IN METRIC
UNITS. SOFT CONVERSION
METHOD SHOULD BE USED.

REVISIONS		DATE	DESCRIPTION	BY
6-18-82	CHICAGO STANDARD MH			
9-22-90	TYPE "A" MANHOLE			MDY

CITY OF CHICAGO
DRAINAGE
DETAILS

10/18/2002