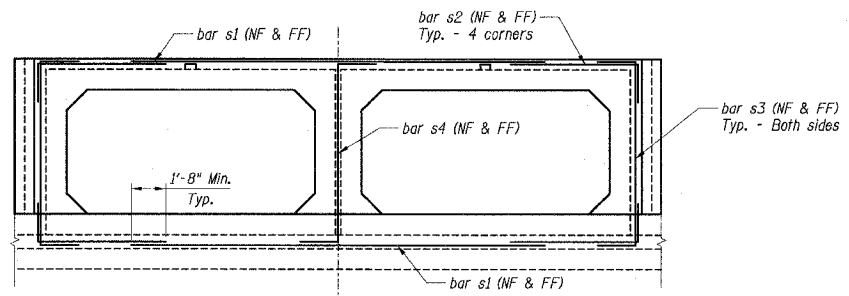
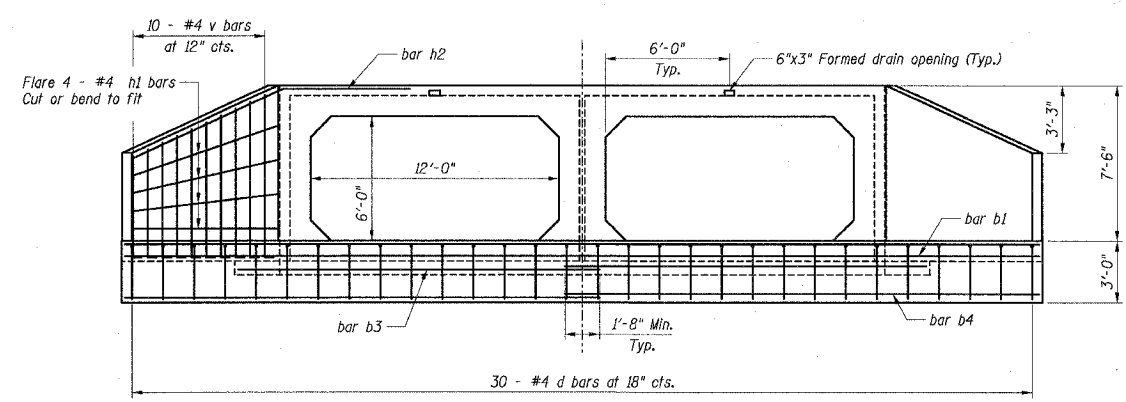


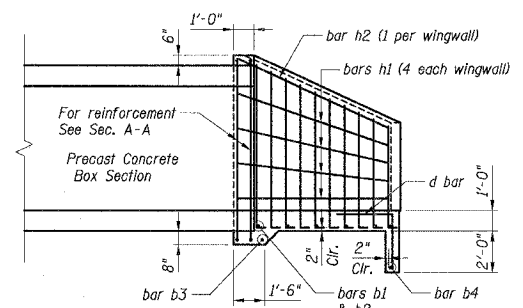
F.A.U. RTE.	SECTION	COUNTY	TOTAL SHEETS	SHEET NO.
1602	74 B-1	COOK	34	20
FED. ROAD DIST. NO.	ILLINOIS	FED. AID PROJECT		
CONTRACT NO. 62418				



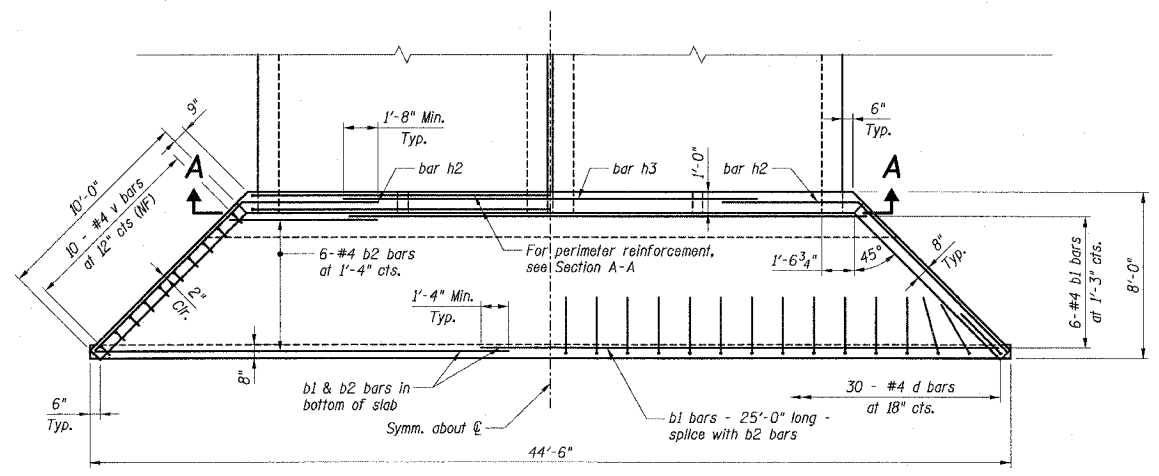
**SECTION A-A**  
Perimeter Reinforcement



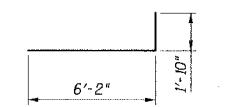
**END ELEVATION**



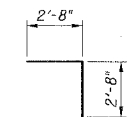
**HALF SIDE ELEVATION**



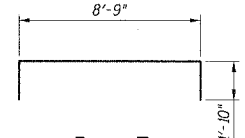
**PLAN**



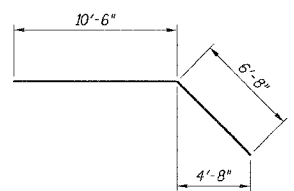
**Bar s2**



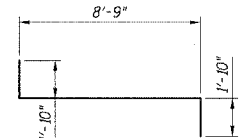
**Bar d**



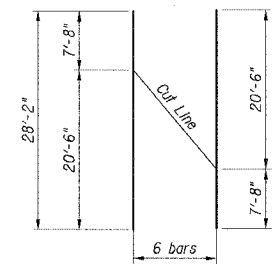
**Bar s3**



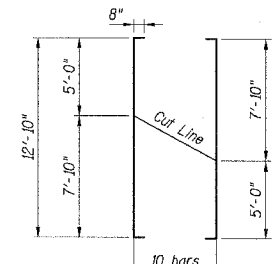
**Bar h2**



**Bar s4**



**Bars b2**



**Bars v**

BAR LIST				
Bar	No.	Size	Length	Shape
b1	12	#4	25'-0"	—
b2*	6	#4	28'-2"	—
b3	4	#4	17'-6"	—
b4	4	#4	23'-0"	—
d	60	#4	5'-4"	⌋
h1	16	#4	10'-8"	—
h2	4	#4	17'-2"	—
h3	2	#4	20'-0"	—
s1	8	#4	20'-0"	—
s2	16	#4	8'-0"	—
s3	8	#4	12'-5"	⌋
s4	4	#4	12'-5"	⌋
v*	20	#4	14'-2"	⌋

\*Cut bars according to bar cutting diagram

BILL OF MATERIAL		
Item	Unit	Total
Concrete Structures	CU YD	34.7
Reinforcement Bars	POUNDS	1,297.0

Concrete Structures and Reinforcement Bar quantities are for reference only. The culvert end sections shall be paid for as Box Culvert End Sections - Each.

SHEET S-2

**RHAA**  
Robert H. Anderson & Associates, Inc.  
Consulting Engineers  
Timbers Professional Center  
220 West River Drive, St. Charles, IL 60174  
Phone - 630.584.3630 Fax - 630.584.3047

REVISIONS	
NAME	DATE

ILLINOIS DEPARTMENT OF TRANSPORTATION  
147th STREET OVER BOCA RIO DITCH  
F.A.U. ROUTE 1602, SECTION 74 B-1  
COOK COUNTY  
STRUCTURE NUMBER 016-2846  
**END SECTION DETAILS**  
DRAWN BY: DLS  
CHECKED BY: JLR  
DATE: SEPTEMBER 2006

9/20/2006 H:\DOT\BRI\BDE\124062\DESIGN\GN\GN\200F34-124062.WK.DGN