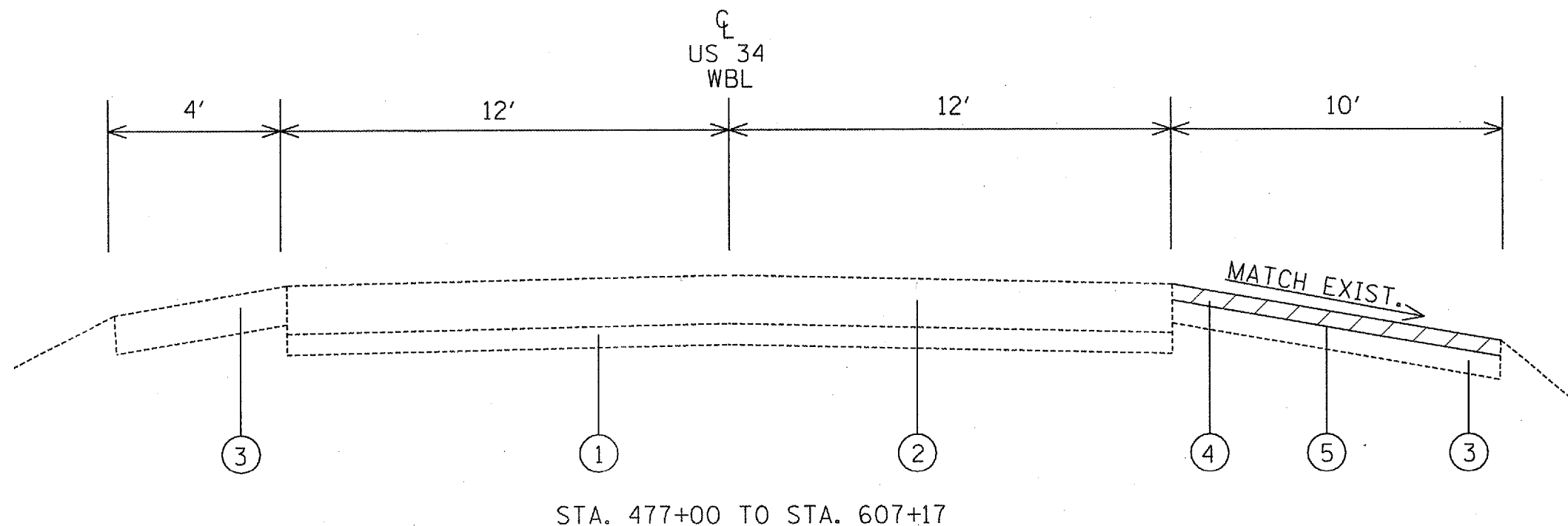


ROUTE		SECTION	COUNTY	SHEET	
MKD.	FAP	D-4 SHLDR. REPAIR 2007	KNOX	TOTAL	NO.
US 34	313			10	5

D-94-120-06  
CONTRACT NO. 68651



LEGEND

- ① EXISTING STABILIZED SUB-BASE 4"
- ② EXISTING PCC PAVEMENT 10"
- ③ EXISTING STABILIZED SHOULDER 8"
- ④ PROPOSED BITUMINOUS SURFACE REMOVAL 1 1/2" \* NOMINAL
- ⑤ PROPOSED BITUMINOUS SHOULDERS SUPERPAVE 2"

\* SEE SCHEDULE OF QUANTITIES FOR EXACT LOCATIONS  
-TABULATION OF BITUMINOUS SHOULDER.

ILLINOIS DEPARTMENT OF TRANSPORTATION

**TYPICAL SECTION**  
**US 34**

NOT TO SCALE