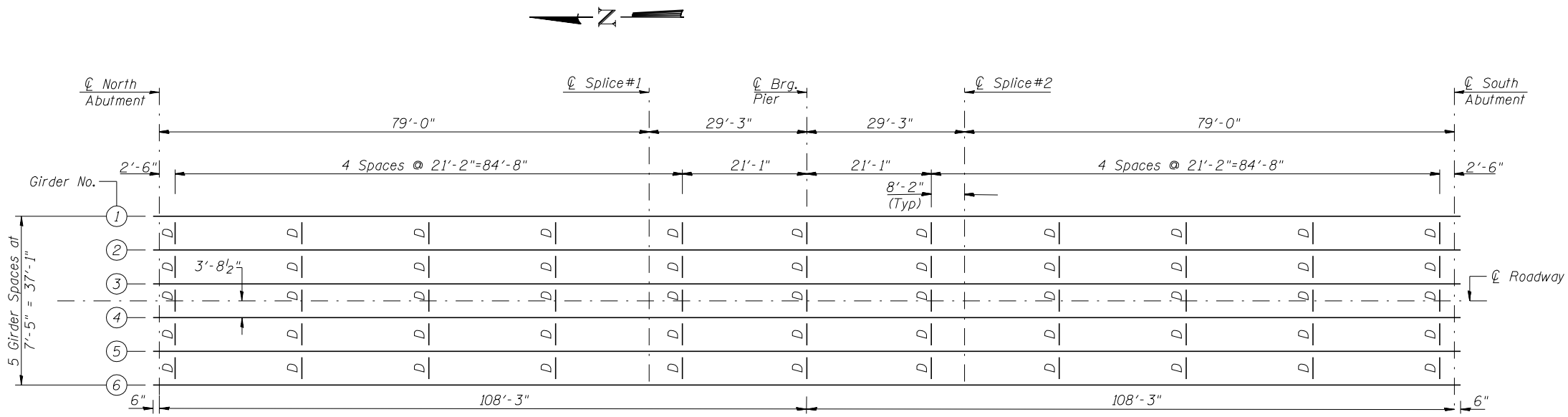
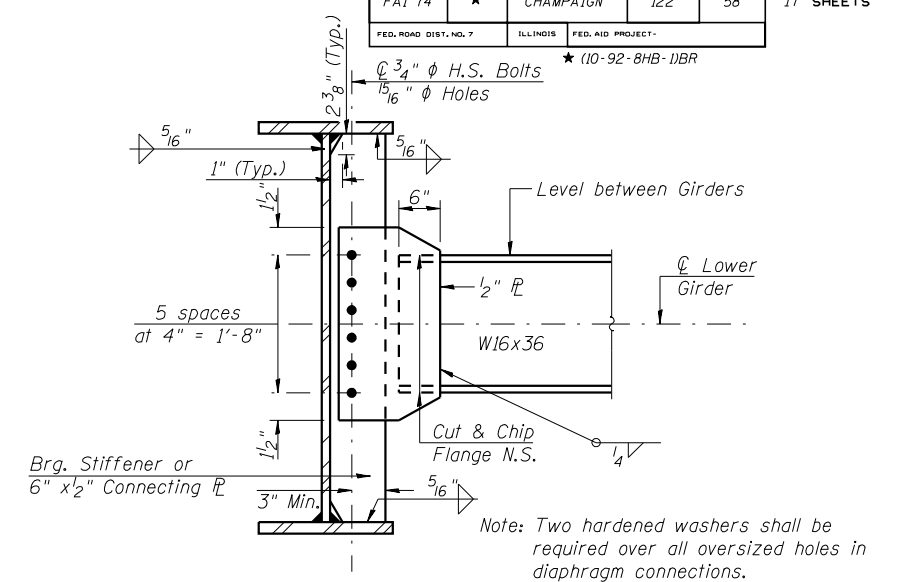


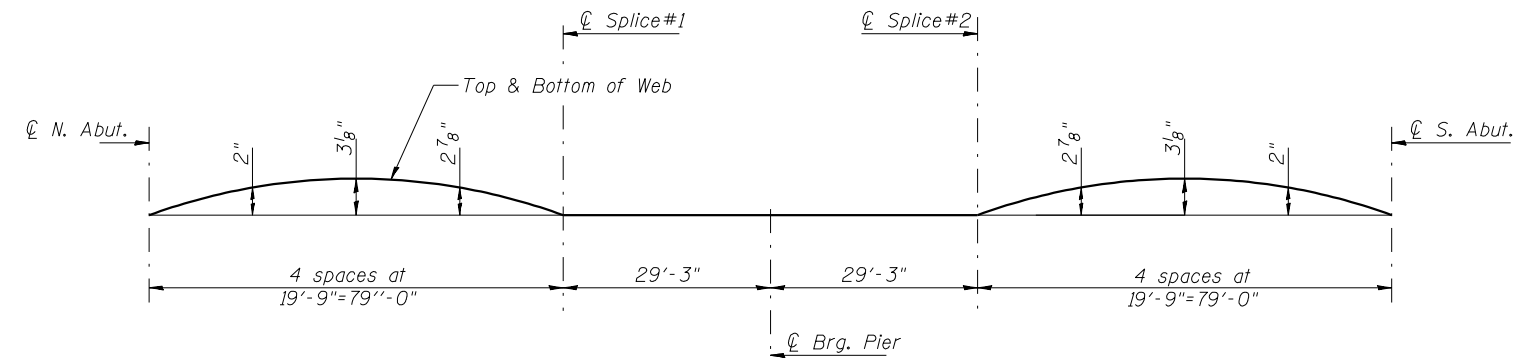
| ROUTE NO.             | SECTION | COUNTY    | TOTAL SHEETS     | SHEET NO. |
|-----------------------|---------|-----------|------------------|-----------|
| FAI 74                | *       | CHAMPAIGN | 122              | 58        |
| FED. ROAD DIST. NO. 7 |         | ILLINOIS  | FED. AID PROJECT |           |



**FRAMING PLAN**



**INTERIOR DIAPHRAGM D**

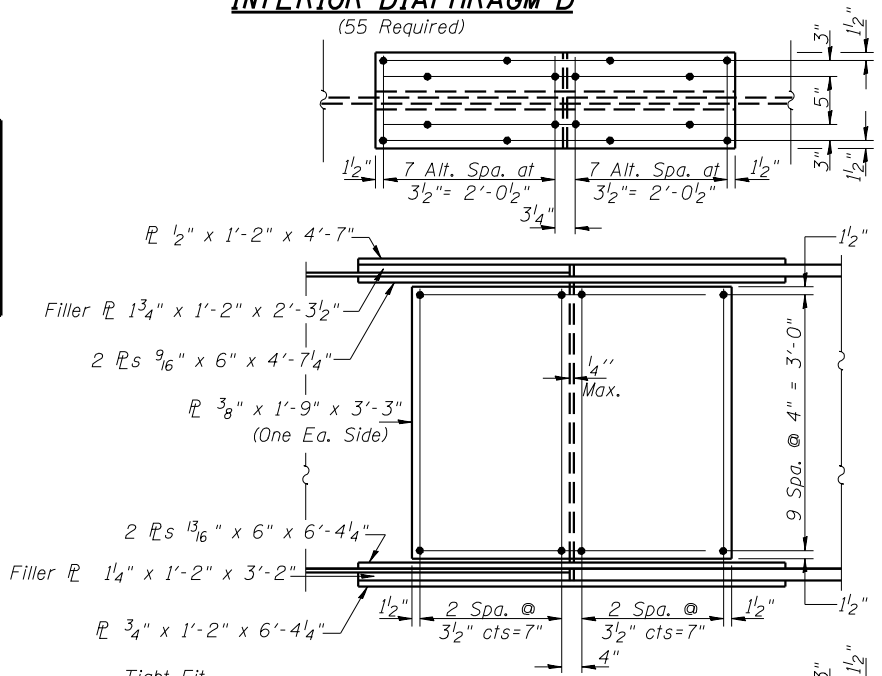


**CAMBER DIAGRAM**

**\* TOP OF WEB ELEVATIONS**

|             | Girder 1 & 6 | Girder 2 & 5 | Girder 3 & 4 |
|-------------|--------------|--------------|--------------|
| ℄ N. Abut.  | 691.192      | 691.342      | 691.458      |
| ℄ Splice #1 | 691.628      | 691.778      | 691.894      |
| ℄ Brg. Pier | 691.625      | 691.775      | 691.891      |
| ℄ Splice #2 | 691.622      | 691.772      | 691.888      |
| ℄ S. Abut.  | 691.198      | 691.348      | 691.464      |

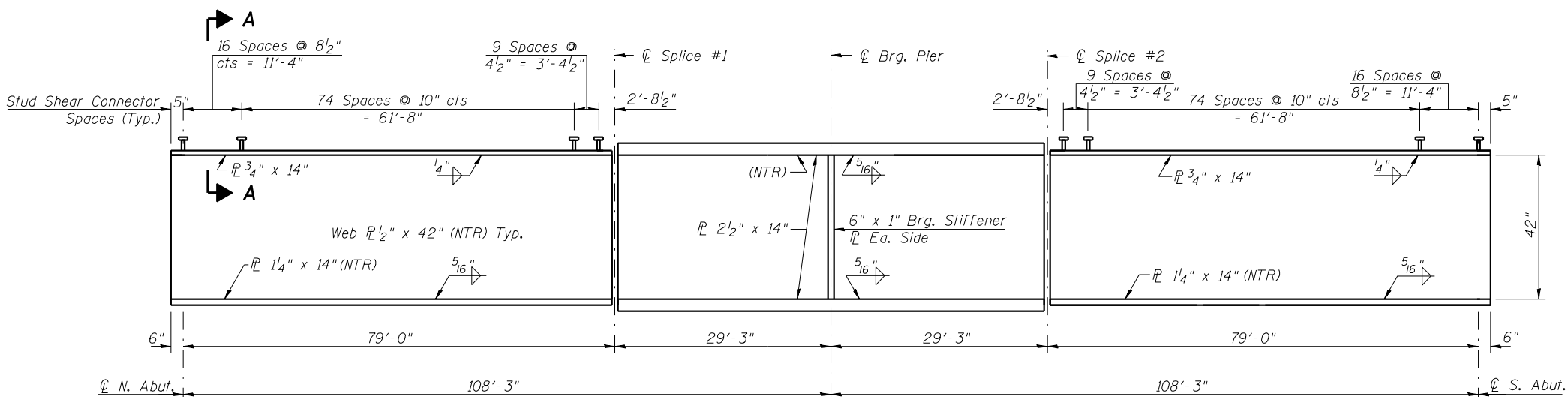
\*For Fabrication Only



**FIELD SPLICE DETAIL**

**SPLICE #1 & #2**

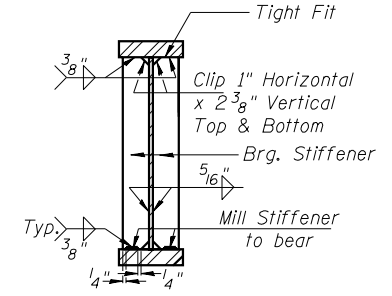
(5/16" φ Holes for 3/8" φ H.S. Bolts)  
NTR except filler plates.



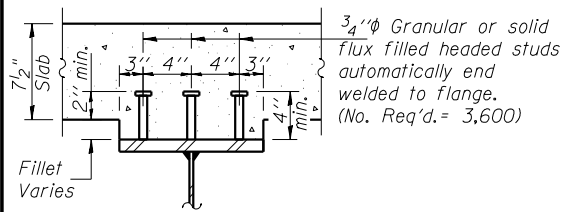
**GIRDER ELEVATION**

"NTR" denotes plates to which notch toughness requirements are applicable.

Notes: Girder plates, Brg. Stiffeners, and splice plates shall be AASHTO M270 Grade 50. Diaphragms and connecting plates shall be AASHTO M270 Grade 36.



**SECTION AT PIER**



**SECTION A-A**

**LIN ENGINEERING, LTD.**  
210 W. Chestnut  
Chatham, Illinois 62629  
1271-483-4668 FAX 1271-483-4706  
Designed By: MTH Checked By: STD Drawn By: JMD  
Date: 11/02 File: 0100277.DGN

| REVISIONS |      |
|-----------|------|
| NAME      | DATE |
|           |      |
|           |      |
|           |      |

ILLINOIS DEPARTMENT OF TRANSPORTATION  
**FRAMING PLAN & GIRDER DETAILS**  
FAS RTE 518 (IL 49S) & FAP RTE 836 (C.H.22)  
OVER FAI RTE 74 (I-74)  
SECTION (10-92-8HB-1) BR  
CHAMPAIGN COUNTY  
STA. 1000+88.67 (I-74)  
STA. 50+00.00 (IL 49S & C.H. 22)  
STRUCTURE NO. 010-0277