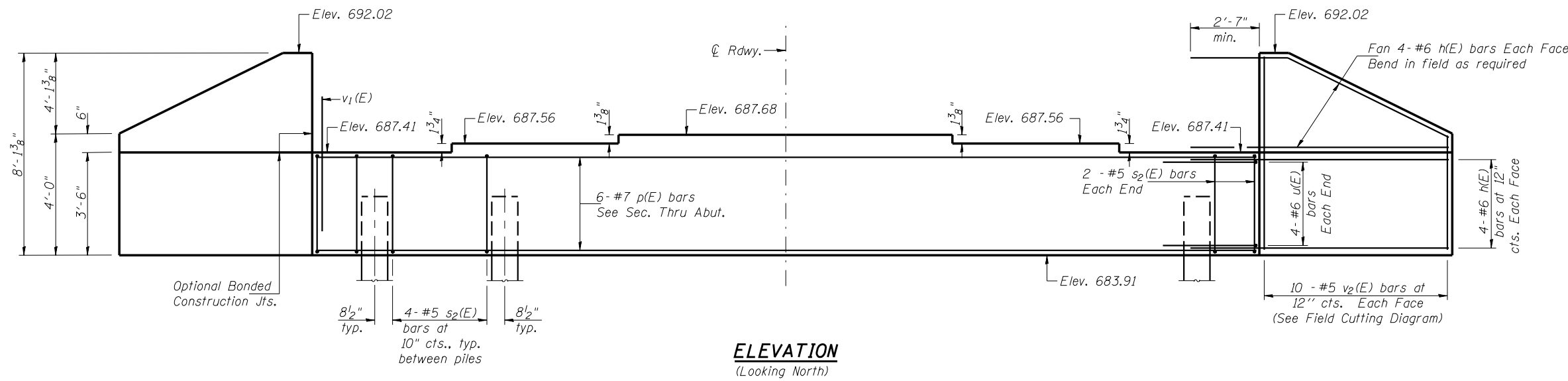


Notes: Pour steps monolithically with cap.
Reinforcement bars designated (E) shall be epoxy coated.
Space reinforcement in cap to miss anchor bolts.

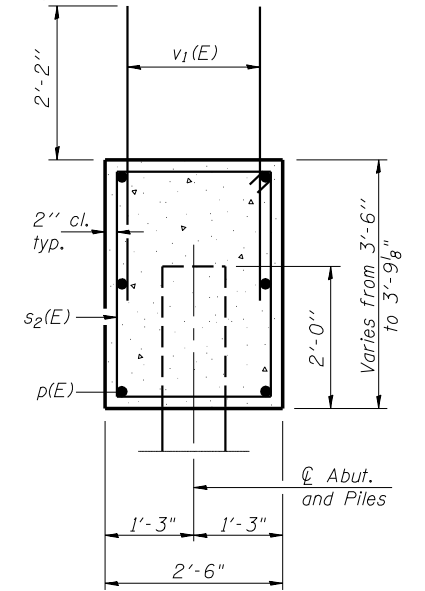
CONTRACT 70001

ROUTE NO.	SECTION	COUNTY	TOTAL SHEETS	SHEET NO.	SHEET NO. 10
FAI 74	*	CHAMPAIGN	122	61	17 SHEETS
FED. ROAD DIST. NO. 7	ILLINOIS	FED. AID PROJECT			

★ (10-92-8HB-1)BR

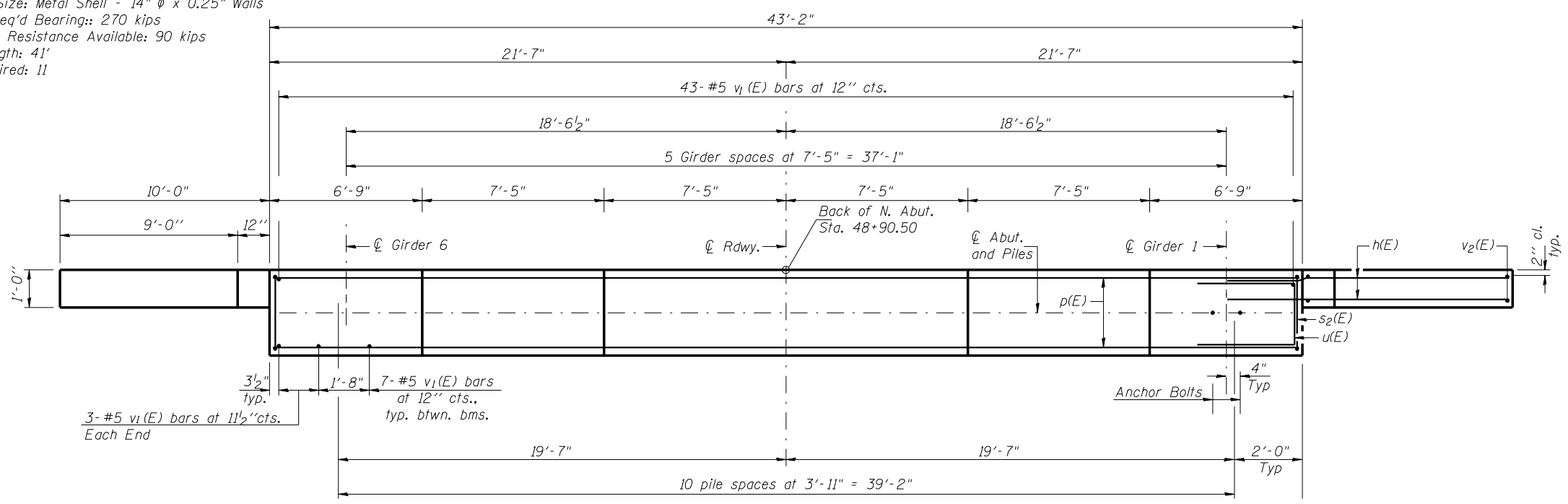


ELEVATION
(Looking North)



SEC. THRU ABUT.

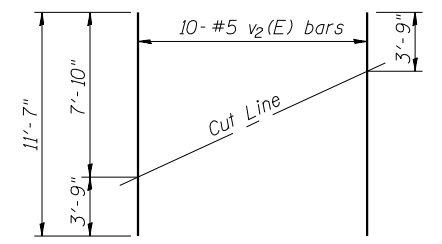
PILE DATA
Type & Size: Metal Shell - 14" φ x 0.25" Walls
Normal Req'd Bearing: 270 kips
Allowable Resistance Available: 90 kips
Est. Length: 41'
No. Required: 11



PLAN

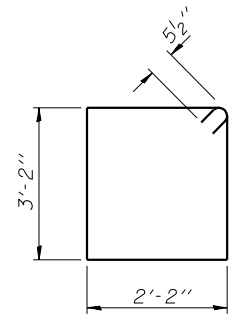
BILL OF MATERIAL

Bar	No.	Size	Length	Shape
h(E)	32	#6	12'-6"	—
p(E)	6	#7	42'-11"	—
s2(E)	44	#5	11'-7"	□
u(E)	8	#6	10'-1"	—
v1(E)	82	#5	4'-4"	—
v2(E)	20	#5	11'-7"	—
Concrete Structures			Cu. Yd.	18.3
Reinforcement Bars, Epoxy Coated			Pound	2400
Structure Excavation			Cu. Yd.	35.5
Furnishing Metal Shell Piles 14" x 0.25"			Foot	451
Driving Piles			Foot	451

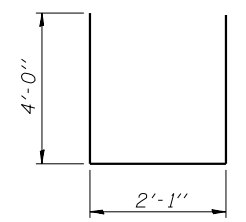


FIELD CUTTING DIAGRAM

Order v2(E) full length. Cut as shown and use remainder of bars in opposite face.



BAR s2(E)



BAR u(E)

LIN ENGINEERING, LTD.
210 N. Chestnut
Champaign, Illinois 62629
(217) 483-4668
Fax (217) 483-4706
Designed By: MTH Checked By: STD Drawn By: JMD
Date: 11/02 File: 0100277.DGN

REVISIONS	
NAME	DATE

ILLINOIS DEPARTMENT OF TRANSPORTATION
NORTH ABUTMENT
FAS RTE 518 (IL 49S) & FAP RTE 836 (C.H.22)
OVER FAI RTE 74 (I-74)
SECTION (10-92-8HB-1) BR
CHAMPAIGN COUNTY
STA. 1000+88.67 (I-74)
STA. 50+00.00 (IL 49S & C.H. 22)
STRUCTURE NO. 010-0277