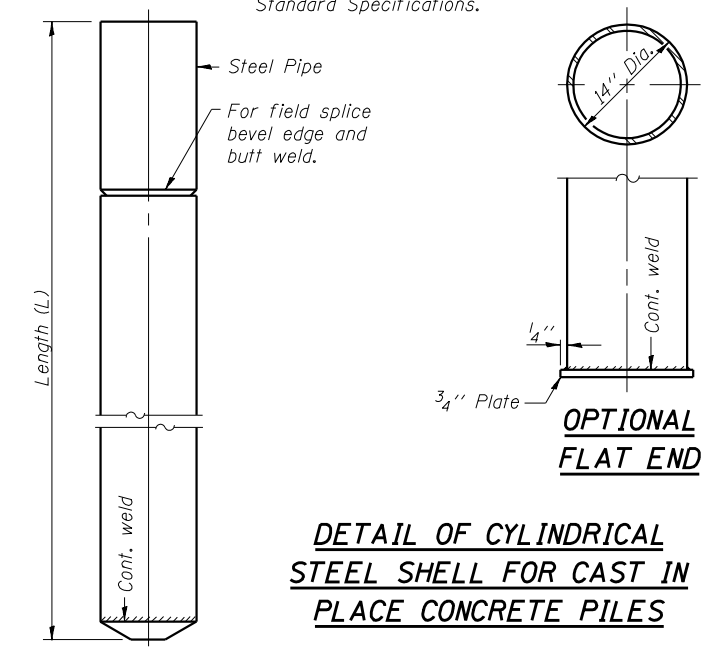
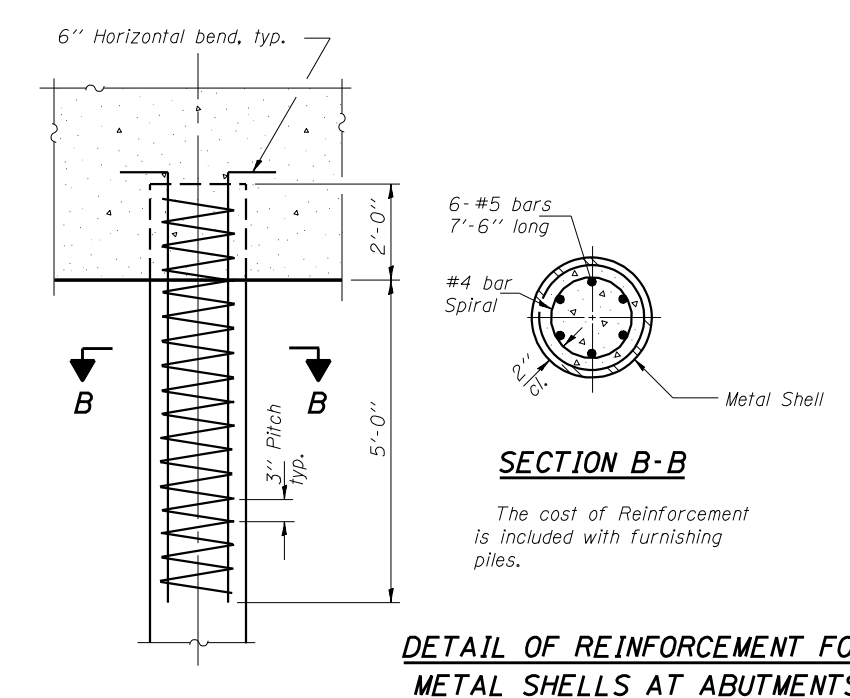


Notes: Driving and bearing ends of pipe shall be cut square. The thickness of the shell shall be 0.250 inches with a tolerance of 5%. The shell shall be according to Article 1006.05(a) of the Standard Specifications.



Note: Metal Shell Piles shall be according to ASTM A 252 Grade 3.



The cost of Reinforcement is included with furnishing piles.

REVISIONS	
NAME	DATE

**LIN ENGINEERING, LTD.**  
 210 W. Chestnut  
 1071-853-669  
 Chatham, Illinois 62629  
 FAX 1071-853-4106  
 Designed By: MTH Checked By: STD Drawn By: JMD  
 Date: 11/02 File: 0920203.DGN

ILLINOIS DEPARTMENT OF TRANSPORTATION  
**PILE DETAIL**  
 FAP ROUTE 840 (IL 49N)  
 OVER FAI RTE 74 (I-74)  
 SECTION (10-92-8HB-4) BR  
 VERMILION COUNTY  
 STA. 1160+20.53 (I-74)  
 STA. 50+00.00 (IL 49N)  
 STRUCTURE NO. 092-0203