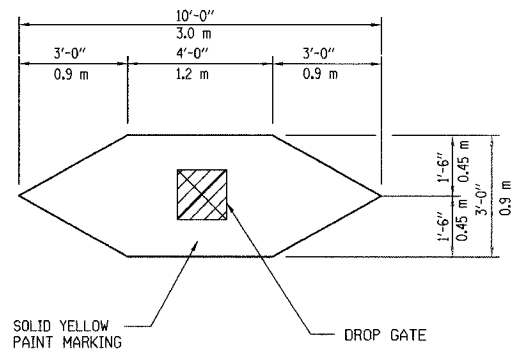
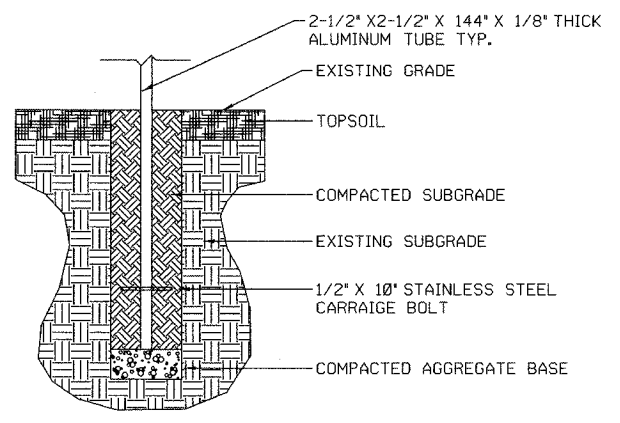


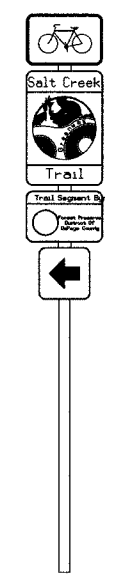
SECTION	COUNTY	TOTAL SHEETS	SHEET NO.
02-00034-00-BT	DUPAGE	108	29
STA. TO STA.			
IDOT PROJECT NO. M-8003(216)			
SALT CREEK GREENWAY TRAIL			
CONTRACT NO. 83714			



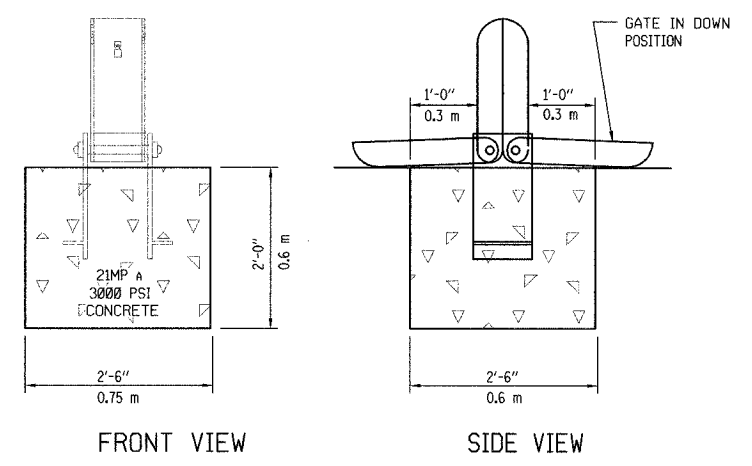
TIP DOWN GATE MARKING DETAIL
N.T.S.



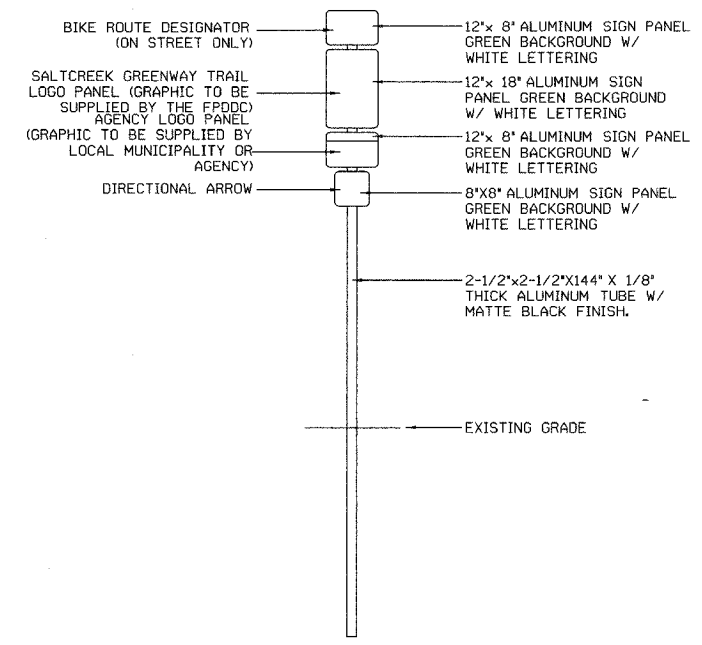
D4 SIGN BASE DETAIL
SECTION - N.T.S.



D6 TRAIL MARKER
DESIGN - N.T.S.



TIP DOWN GATE INSTALLATION DETAIL
N.T.S.



A6 TRAIL MARKER
ELEVATION - N.T.S.

REVISIONS		
NO.	NAME	DATE

URS 1701 GOLF ROAD, SUITE 1000 TEL. (847) 228-0707
ROLLING MEADOWS, IL 60008 FAX (847) 228-1115

VILLAGE OF OAK BROOK
SALT CREEK GREENWAY TRAIL
MISCELLANEOUS DETAILS

DATE: 7/20/05 DRAWN BY: MIA&VP
DESIGNED BY: MIA CHECKED BY: DDL