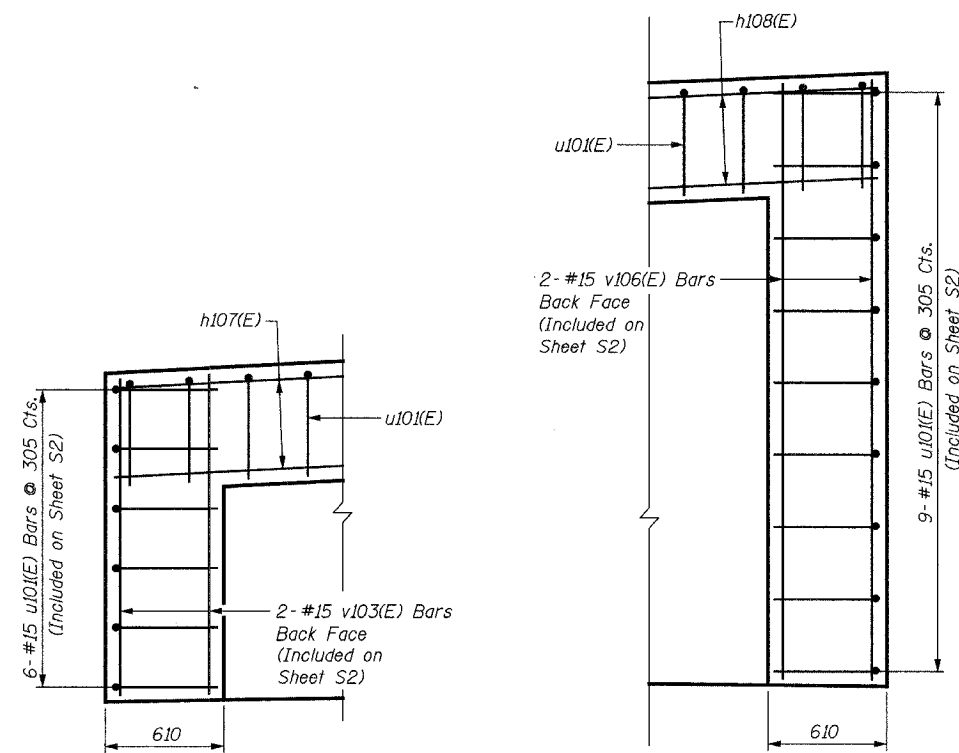


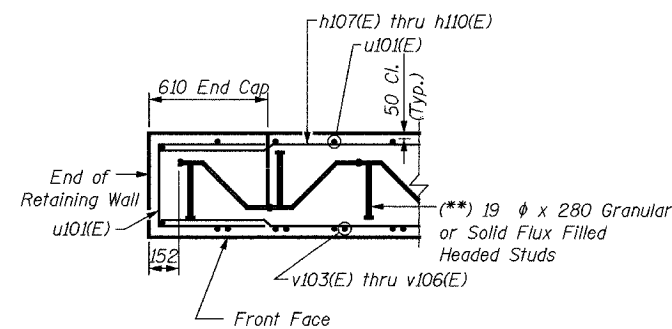
TYPICAL SECTION THRU WALL
(Sta. 18+106.226 to Sta. 18+138)



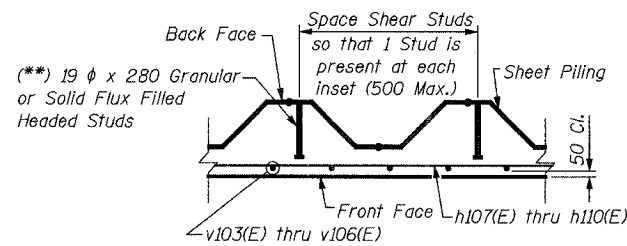
NORTH END

SOUTH END

END CAP WALL DETAILS
(East Wall, West Wall Similar)



SECTION THRU CAP



TYPICAL SECTION THRU WALL

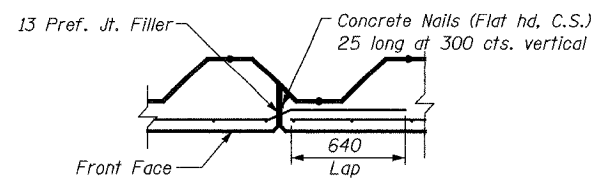
() NOTE:**

Shear Studs shall be 19 dia. x 208 Granular or Solid Flux Filled Studs conforming to 505.08 (m) of the Standard Specifications automatically end welded in the field to Sheet Piling. The cost of the studs is included in the cost of PERMANENT STEEL SHEET PILING.

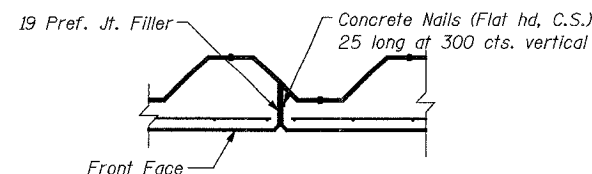
NOTES:

See Sheet S2 for notes.

SHEET S3 of S33



CONSTRUCTION JOINT DETAILS



EXPANSION JOINT DETAILS

REVISIONS		URS	1701 GOLF ROAD, SUITE 1000 ROLLING MEADOWS, IL 60008	TEL (847) 228-0707 FAX (847) 228-1115
NAME	DATE			
		VILLAGE OF OAKBROOK SALT CREEK GREENWAY TRAIL RET. WALL STA. 18+106 TO 18+138 DETAILS		
		DATE: 06/30/05	DRAWN BY: MDS	
		DESIGNED BY: MDS	CHECKED BY: GAT	