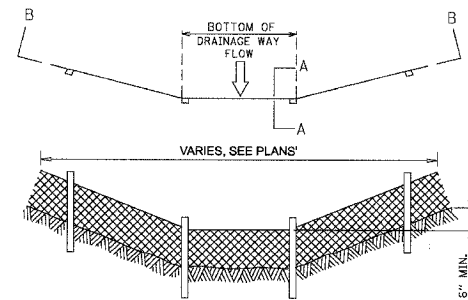
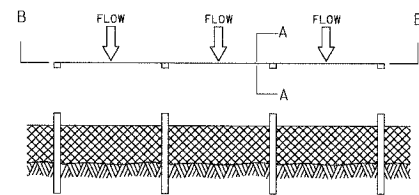


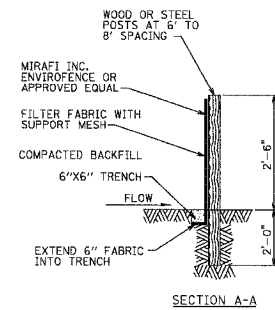
F.A.P. RTE.	SECTION	COUNTY	TOTAL SHEETS	SHEET NO.
361	06-00214-03-BR	KANE	52	38
STA.		TO STA.		
FED. ROAD DIST. NO. 1 ILLINOIS FED. AID PROJECT				



**SILT FENCE IN A DITCH**  
SECTION B-B



**SILT FENCE ALONG A SLOPE**  
SECTION A-A

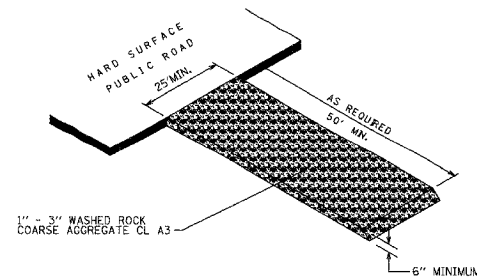


SECTION A-A

**NOTES**

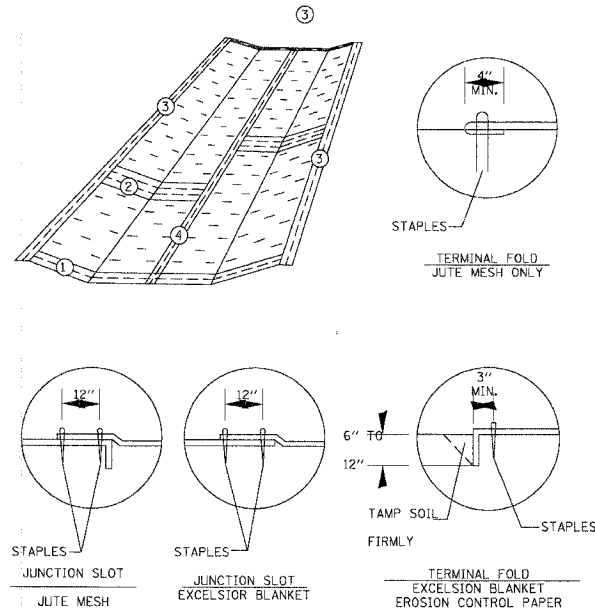
1. FILTER BARRIERS SHALL BE PLACED WHERE SHOWN ON THE PLANS AND WHERE INDICATED BY THE ENGINEER.
2. SEDIMENT TRAPPED BY THE FENCE SHALL BE REMOVED (AND PROPERLY DISPOSED OF) WHENEVER SIGNIFICANT ACCUMULATION OCCURS.
3. BARRIERS SHALL BE MAINTAINED IN PLACE UNTIL THE UPSLOPE AREA HAS BEEN STABILIZED AND REMOVAL IS AUTHORIZED BY THE ENGINEER.

**SILT FENCE**  
NTS

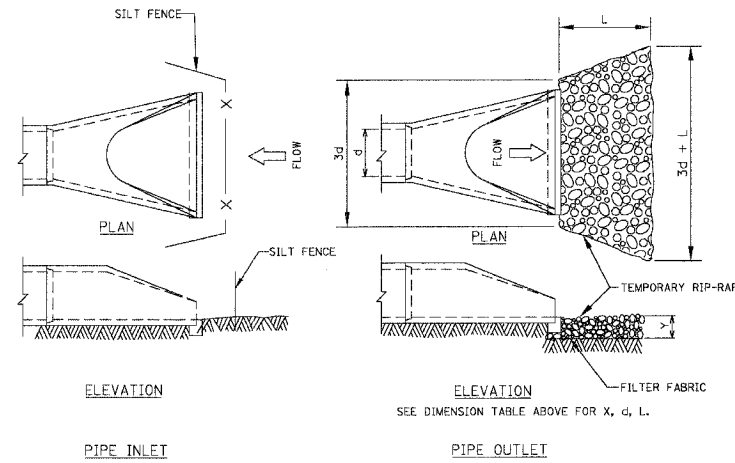


**STABILIZED CONSTRUCTION ENTRANCE**  
NOT TO SCALE

EB1 = NAG S75 OR APPROVED EQUAL  
EB2 = NAG SC150 OR APPROVED EQUAL



**EROSION BLANKET DETAIL**



**INLET PROTECTION AT FES**

CHRISTOPHER B. BURKE ENGINEERING, LTD.  
9575 W. Higgins Road, Suite 800  
Rosemont, Illinois 60018  
(847) 823-0500



PLOT DATE = 9/13/2006  
FILE NAME = N:\enr\moun\47\GRD\Civil\47\DRD-L.dwg  
PLOT SCALE = 1" = 10'-0"  
USER NAME = CBURKE

REVISIONS	
NAME	DATE

ILLINOIS DEPARTMENT OF TRANSPORTATION  
**SOIL EROSION AND SEDIMENT CONTROL DETAILS**

SCALE: VERT. N.T.S.  
HORIZ. 1" = 10'-0"  
DATE 9/13/2006  
DRAWN BY RCB  
CHECKED BY MEK