

INDEX OF SHEETS

11-17-2023 LETTING ITEM 113

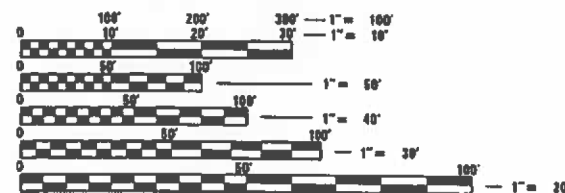
- 1 COVER SHEET
- 2 GENERAL NOTES, COMMITMENTS
- 3-4 SUMMARY OF QUANTITIES
- 5-6 TYPICAL SECTIONS
- 7-8 SCHEDULE OF QUANTITIES
- 9 REMOVAL PLAN
- 10 PLAN AND PROFILE
- 11 DRAINAGE PLAN
- 12 EROSION CONTROL PLAN
- 13 PAVEMENT MARKING
- 14 DETOUR PLAN
- 15 ADA DETAILS
- 16 CONCRETE COLLAR DETAIL
- 17-22 STRUCTURE PLANS
- 23-24 CROSS SECTIONS

IDOT HIGHWAY STANDARDS

- 000001-08 STANDARD SYMBOLS, ABBREVIATIONS AND PATTERNS
- 001001-02 AREAS OF REINFORCEMENT BARS
- 001006 DECIMAL OF AN INCH AND OF A FOOT
- 280001-07 TEMPORARY EROSION CONTROL SYSTEMS
- 420001-10 PAVEMENT JOINTS
- 515001-04 NAME PLATE FOR BRIDGES
- 602301-04 INLET - TYPE A
- 602401-07 PRECAST MANHOLE TYPE A 4FT DIAMETER
- 602601-06 PRECAST REINFORCED CONCRETE FLAT SLAB TOP
- 602701-02 MANHOLE STEPS
- 604006-05 FRAME AND GRATE TYPE 3
- 606001-08 CONCRETE CURB TYPE B AND COMBINATION CURB AND GUTTER
- 701006-05 OFF-ROAD OPERATIONS, 2L, 2W, 15' TO 24' FROM PAVEMENT EDGE
- 701501-06 URBAN LANE CLOSURE, 2L, 2W, UNDIVIDED
- 701502-09 URBAN LANE CLOSURE, 2L, 2W, WITH BIDIRECTIONAL LEFT TURN LANE
- 701801-06 SIDEWALK, CORNER, OR CROSSWALK CLOSURE
- 701901-08 TRAFFIC CONTROL DEVICES
- 720001-01 SIGN PANEL MOUNTING DETAILS
- 720006-04 SIGN PANEL ERECTION DETAILS
- 780001-05 TYPICAL PAVEMENT MARKINGS
- BLR 22-7 TYPICAL APPLICATION OF TRAFFIC CONTROL DEVICES FOR CONSTRUCTION ON RURAL LOCAL HIGHWAYS (2L, 2W RURAL TRAFFIC) (ROAD CLOSED TO THRU TRAFFIC)

DESIGN DESIGNATION

ROADWAY CLASSIFICATION: MINOR COLLECTOR
DESIGN SPEED: 25 MPH
CURRENT ADT (2022): 1700
DESIGN YEAR ADT (2032): 1880



FULL SIZE PLANS HAVE BEEN PREPARED USING STANDARD ENGINEERING SCALES. REDUCED SIZED PLANS WILL NOT CONFORM TO STANDARD SCALES. IN MAKING MEASUREMENTS ON REDUCED PLANS, THE ABOVE SCALES MAY BE USED.

J.U.L.I.E.
 JOINT UTILITY LOCATION INFORMATION FOR EXCAVATORS
 1-800-892-0123
 OR 811



PLANS PREPARED BY:
 4940 Old Colfaxville Road
 Swansea, Illinois 62226
 Tel: 618.624.4488
 www.twm-inc.com
 Illinois Professional Design Firm
 No. 164-001220
 License Expires: 4/30/2025
 ILLINOIS - MISSOURI - TENNESSEE

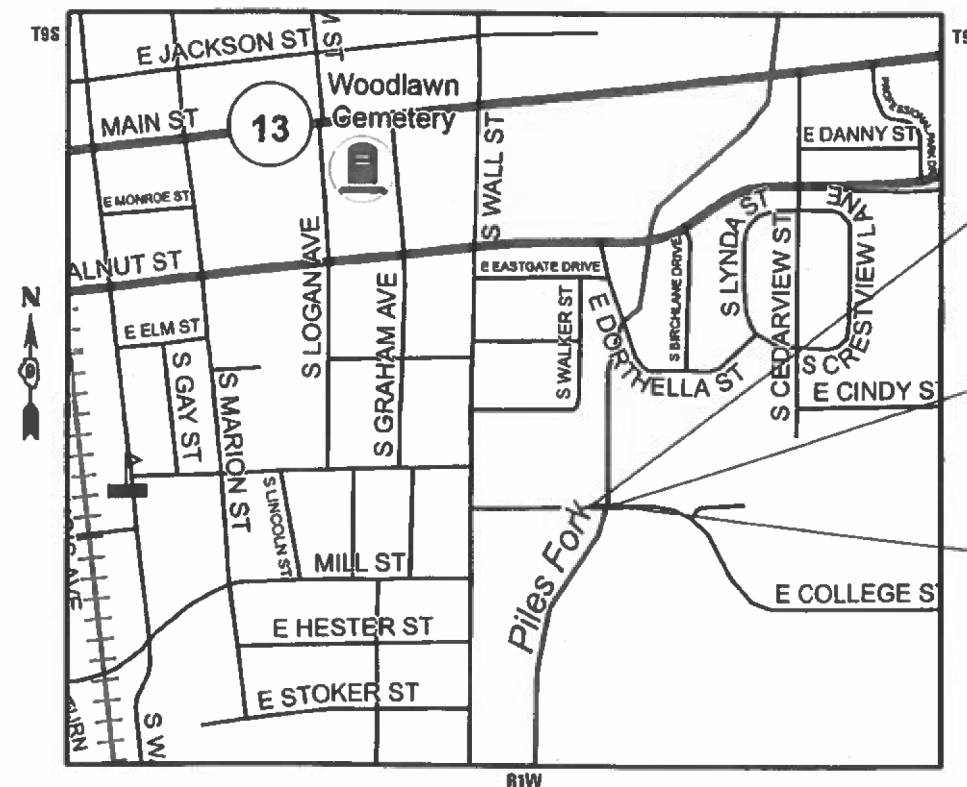
STATE OF ILLINOIS

DEPARTMENT OF TRANSPORTATION

PLANS FOR PROPOSED FEDERAL AID PROJECT

STU FUNDS
 CITY OF CARBONDALE
E COLLEGE ST. (MUN 1730) OVER PILES FORK CREEK
 SECTION 19-00141-00-BR
PROJECT OHYL(573)
CULVERT REPLACEMENT
PR. STRUCTURE NO: 039-6015
JACKSON COUNTY

C-99-013-22



LOCATION MAP

SCALE: 1"=2400'
 GROSS LENGTH = 104 FT. = 0.020 MILE
 NET LENGTH = 104 FT. = 0.020 MILE

BEGIN PROJECT STA. 16+68.00

EX. S.N. 039-6101
 PR. SN: 039-6015
 STA. 17+18.65

END PROJECT STA. 17+72.00



7-24-23
 JOSHUA W. STEIN, P.E.
 LICENSE NO. 062-062775
 EXPIRATION DATE 11-30-2023

MUN. RTE.	SECTION	COUNTY	TOTAL SHEETS	SHEET NO.
1730	19-00141-00-BR	JACKSON	24	1
		ILLINOIS	CONTRACT NO. 99713	



STATE OF ILLINOIS
 DEPARTMENT OF TRANSPORTATION

APPROVED 24 July 2023
Caroline Harvey
 MAYOR
 CITY OF CARBONDALE

PASSED August 22 2023
[Signature]
 DISTRICT 9 ENGINEER
 LOCAL ROADS & STREETS

RELEASED FOR BID BASED ON LIMITED REVIEW August 22 2023
Kit H. Brown
 REGION FIVE ENGINEER

PRINTED BY THE AUTHORITY OF THE STATE OF ILLINOIS

GENERAL NOTES

IT IS NOT WARRANTED THAT THIS DOCUMENT CONTAINS COMPLETE INFORMATION REGARDING EASEMENTS, RESERVATIONS, RESTRICTIONS, RIGHT-OF-WAYS, BUILDING LINE SETBACKS, AND OTHER ENCUMBRANCES. FOR COMPLETE INFORMATION, A TITLE OPINION OR COMMITMENT FOR TITLE INSURANCE SHOULD BE OBTAINED AND THOROUGHLY REVIEWED.

THE CONTRACTOR SHALL CONFINE ALL OPERATIONS TO THE CONSTRUCTION LIMITS LINE SHOWN ON THE PLANS. ANY AREA DISTURBED BEYOND THESE LIMITS SHALL BE RESTORED TO ITS ORIGINAL CONDITION AT THE CONTRACTOR'S EXPENSE.

THE CONTRACTOR SHALL VERIFY ALL DIMENSIONS AND CONDITIONS IN THE FIELD PRIOR TO ORDERING OF MATERIALS AND COMMENCING CONSTRUCTION.

THE CONTRACTOR SHALL STAGE ALL WORK IN SUCH A WAY AS TO MAINTAIN INGRESS AND EGRESS TO ALL ABUTTING PROPERTIES.

UTILITIES

ILLINOIS STATE LAW REQUIRES A 48-HOUR NOTICE BE GIVEN TO ALL UTILITIES BEFORE DIGGING. FIELD MARKING OF FACILITIES MAY BE OBTAINED BY CONTACTING J.U.L.I.E. OR FOR NON-MEMBERS, THE UTILITY COMPANY DIRECTLY. AGENCIES KNOWN TO HAVE FACILITIES WITHIN THE PROJECT AREA ARE AS FOLLOWS:

- *AMEREN ILLINOIS - GAS & ELECTRIC
- *CITY OF CARBONDALE - SEWER
- *CLEARWAVE COMMUNICATIONS - COMMUNICATIONS
- *FRONTIER COMMUNICATIONS - COMMUNICATIONS
- *ZAYO FIBER SOLUTIONS - COMMUNICATIONS
- *MEDIACOM - CABLE TV

MEMBERS OF J.U.L.I.E. CALL TOLL FREE (800) 892-0123 OR 811 AND ARE INDICATED BY *
NON-J.U.L.I.E. MEMBERS MUST BE NOTIFIED INDIVIDUALLY.

DRAINAGE AND EROSION CONTROL

IT SHALL BE THE RESPONSIBILITY OF THE CONTRACTOR TO MAINTAIN POSITIVE DRAINAGE DURING VARIOUS STAGES OF CONSTRUCTION. THIS INCLUDES ALL LABOR, EQUIPMENT AND MATERIALS USED BEYOND WHAT IS SPECIFIED IN THE PLANS.

EROSION AND SEDIMENT CONTROL SHALL BE PERFORMED IN ACCORDANCE WITH SECTION 280 OF THE STANDARD SPECIFICATIONS.

ALL TEMPORARY AND PERMANENT EROSION CONTROL DEVICES SHALL BE IMPLEMENTED AS SHOWN IN THE PLANS AND APPLICABLE HIGHWAY STANDARDS. IT IS THE CONTRACTOR'S RESPONSIBILITY TO INSURE THAT ALL EROSION AND SEDIMENT DOES NOT MIGRATE OFF SITE. IF UNEXPECTED EROSION OR SEDIMENT DOES MIGRATE OFF SITE OR IF EROSION CONTROL DEVICES BECOME DAMAGED, THE CONTRACTOR SHALL PROVIDE SUFFICIENT MEASURES TO REPAIR OR REPLACE THE DEVICES.

LAYOUT OF RIPRAP MAY BE VARIED TO SUIT EXISTING GROUND CONDITIONS, PER THE DIRECTION OF THE ENGINEER.

TRAFFIC CONTROL

FLOURESCENT ORANGE 'ROAD CONSTRUCTION AHEAD' SIGNS (48"x48") SHALL BE PLACED AT EACH END OF THE PROJECT PLUS THE INTERSECTING SIDE ROADS/STREETS AS DIRECTED BY THE ENGINEER. THESE SIGNS SHALL NOT BE MEASURED FOR PAYMENT. COST SHALL BE INCLUDED IN THE VARIOUS TRAFFIC CONTROL PAY ITEMS.

SEE DETOUR PLANS FOR CHANGEABLE MESSAGE SIGN DETAILS.

THE CONTRACTOR SHALL CONTACT THE FOLLOWING ENTITIES IN ADVANCE OF THE ROAD CLOSURE:
CITY OF CARBONDALE - POLICE DEPT. - 618-344-2131
CITY OF CARBONDALE - FIRE DEPT. - 618-457-3298
UNITED STATES POSTAL SERVICE - 618-351-5651
CARBONDALE COMMUNITY HIGH SCHOOL - 618-457-3371
CARBONDALE ELEMENTARY SCHOOL DISTRICT #95 - 618-457-2043

COMMITMENTS

NONE

MODEL: D:\p4\h\11... FILE NAME: P:\2019\190115\1A - East College Street Bridge\14_CADD - DWG\14.7_Traffic\190115_1A_sht-09m000.dwg



TWM, INC.
www.twm-inc.com
IL DESIGN FIRM LICENSE NO: 184-001220

USER NAME = bbillhartz
DESIGNED - BAB
DRAWN - BAB
CHECKED - JWS
DATE - JULY 2023

REVISED -
REVISED -
REVISED -
REVISED -



CITY OF CARBONDALE

GENERAL NOTES & COMMITMENTS

SCALE: SHEET 1 OF 1 SHEETS STA. TO STA.

MUN. RTE.	SECTION	COUNTY	TOTAL SHEETS	SHEET NO.
1730	19-00141-00-BR	JACKSON	24	2
CONTRACT NO. 99713				
ILLINOIS		FED. AID PROJECT		

CODE NO.	PAY ITEM	UNIT	TOTAL QUANTITY
20200100	EARTH EXCAVATION	CU YD	5
20201200	REMOVAL AND DISPOSAL OF UNSUITABLE MATERIAL	CU YD	207
20700220	POROUS GRANULAR EMBANKMENT	CU YD	379
20800150	TRENCH BACKFILL	CU YD	7
25000210	SEEDING, CLASS 2A	ACRE	0.25
25000400	NITROGEN FERTILIZER NUTRIENT	POUND	10
25000500	PHOSPHORUS FERTILIZER NUTRIENT	POUND	10
25000600	POTASSIUM FERTILIZER NUTRIENT	POUND	10
25100115	MULCH, METHOD 2	ACRE	0.25
28000250	TEMPORARY EROSION CONTROL SEEDING	POUND	50
28000500	INLET AND PIPE PROTECTION	EACH	4
28100107	STONE RIPRAP, CLASS A4	SQ YD	63
28200200	FILTER FABRIC	SQ YD	63
31100100	SUBBASE GRANULAR MATERIAL, TYPE A	TON	96
42000401	PORTLAND CEMENT CONCRETE PAVEMENT 9" (JOINTED)	SQ YD	364

CODE NO.	PAY ITEM	UNIT	TOTAL QUANTITY
42400100	PORTLAND CEMENT CONCRETE SIDEWALK 4 INCH	SQ FT	682
42400800	DETECTABLE WARNINGS	SQ FT	40
44000100	PAVEMENT REMOVAL	SQ YD	364
44000200	DRIVEWAY PAVEMENT REMOVAL	SQ YD	13
44000500	COMBINATION CURB AND GUTTER REMOVAL	FOOT	208
44000600	SIDEWALK REMOVAL	SQ FT	1104
50100100	REMOVAL OF EXISTING STRUCTURES	EACH	1
* 50901720	BICYCLE RAILING	FOOT	99
51500100	NAME PLATES	EACH	1
54001001	BOX CULVERT END SECTIONS, CULVERT NO. 1	EACH	2
54011009	PRECAST CONCRETE BOX CULVERTS 10' X 9'	FOOT	162
54248510	CONCRETE COLLAR	CU YD	0.5
550A0070	STORM SEWERS, CLASS A, TYPE 1 15"	FOOT	3
550A0120	STORM SEWERS, CLASS A, TYPE 1 24"	FOOT	24
55101200	STORM SEWER REMOVAL 24"	FOOT	34

*SPECIALTY ITEMS

MODEL Detail
FILE NAME: P:\19100131A - East College Street Bridge4 CADD - DWG\4.7 Tran\CADD Sheets\1910131A\ent-500.dgn



USER NAME = bblhartz	DESIGNED - BAB	REVISED -
DRAWN - BAB	REVISIONS -	
CHECKED - JWS	REVISIONS -	
DATE - JULY 2023	REVISIONS -	

PLOT SCALE = 2,000' / in.
PLOT DATE = 9/13/2023



CITY OF CARBONDALE

SUMMARY OF QUANTITIES			
SCALE: N.T.S.	SHEET 1	OF 2 SHEETS	STA. TO STA.

MUN. RTE. 1730	SECTION 19-00141-00-BR	COUNTY JACKSON	TOTAL SHEETS 24	SHEET NO. 3
ILLINOIS FED. AID PROJECT			CONTRACT NO. 99713	

CODE NO.	PAY ITEM	UNIT	TOTAL QUANTITY
60219300	MANHOLES, TYPE A, 4'-DIAMETER, TYPE 11 FRAME AND GRATE	EACH	1
60236800	INLETS, TYPE A, TYPE 11 FRAME AND GRATE	EACH	1
60260100	INLETS TO BE ADJUSTED	EACH	2
60603800	COMBINATION CONCRETE CURB AND GUTTER, TYPE B-6.12	FOOT	208
67100100	MOBILIZATION	L SUM	1
70107025	CHANGEABLE MESSAGE SIGN	CAL DA	140
* 78001110	PAINT PAVEMENT MARKING - LINE 4"	FOOT	416
* 78001150	PAINT PAVEMENT MARKING - LINE 12"	FOOT	64
X0900064	MEMBRANE WATERPROOFING SYSTEM FOR BURIED STRUCTURES	SQ YD	229
X4240440	PORTLAND CEMENT CONCRETE SIDEWALK 6 INCH, SPECIAL	SQ FT	557
X6026050	SANITARY MANHOLES TO BE ADJUSTED	EACH	1
X7010216	TRAFFIC CONTROL AND PROTECTION, (SPECIAL)	L SUM	1
Z0007126	HANDRAIL REMOVAL	FOOT	117
Z0013798	CONSTRUCTION LAYOUT	L SUM	1
Z0016702	DETOUR SIGNING	L SUM	1

CODE NO.	PAY ITEM	UNIT	TOTAL QUANTITY
Z0018700	DRAINAGE STRUCTURE TO BE REMOVED	EACH	1
Z0054402	ROCK FILL - REPLACEMENT	CU YD	207

*SPECIALTY ITEMS

MODEL Default
FILE NAME: P:\19100131A - East College Street Bridge4 CADD - DWG\4.7 Tran\CADD Sheets\1910131A\sheet500.dgn



USER NAME = bbillhartz
DESIGNED - BAB
DRAWN - BAB
CHECKED - JWS
DATE - JULY 2023
PLOT SCALE = 2,000' / in.
PLOT DATE = 9/13/2023

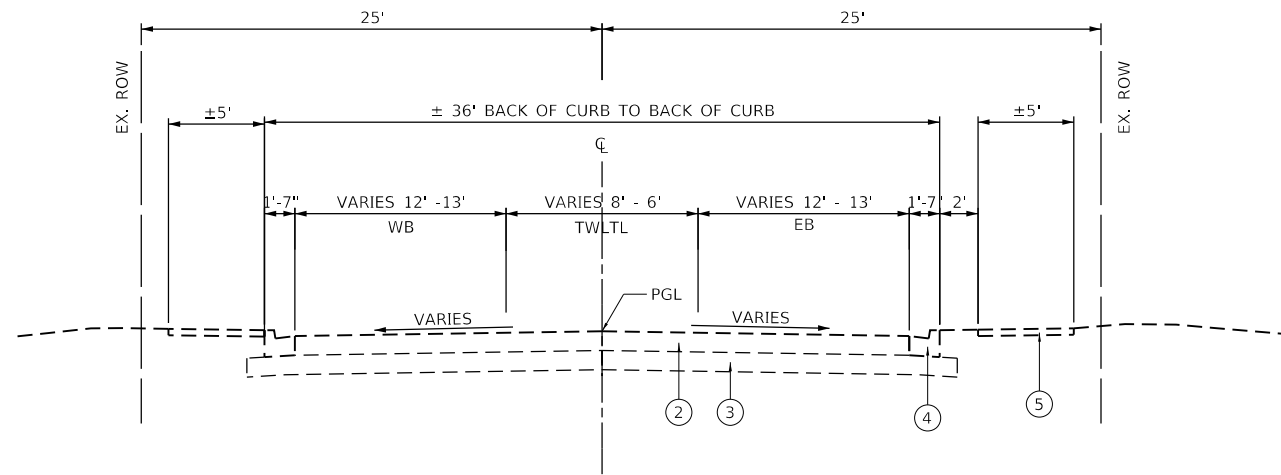
REVISED -
REVISED -
REVISED -
REVISED -



CITY OF CARBONDALE

SUMMARY OF QUANTITIES
SCALE: N.T.S. SHEET 2 OF 2 SHEETS STA. TO STA.

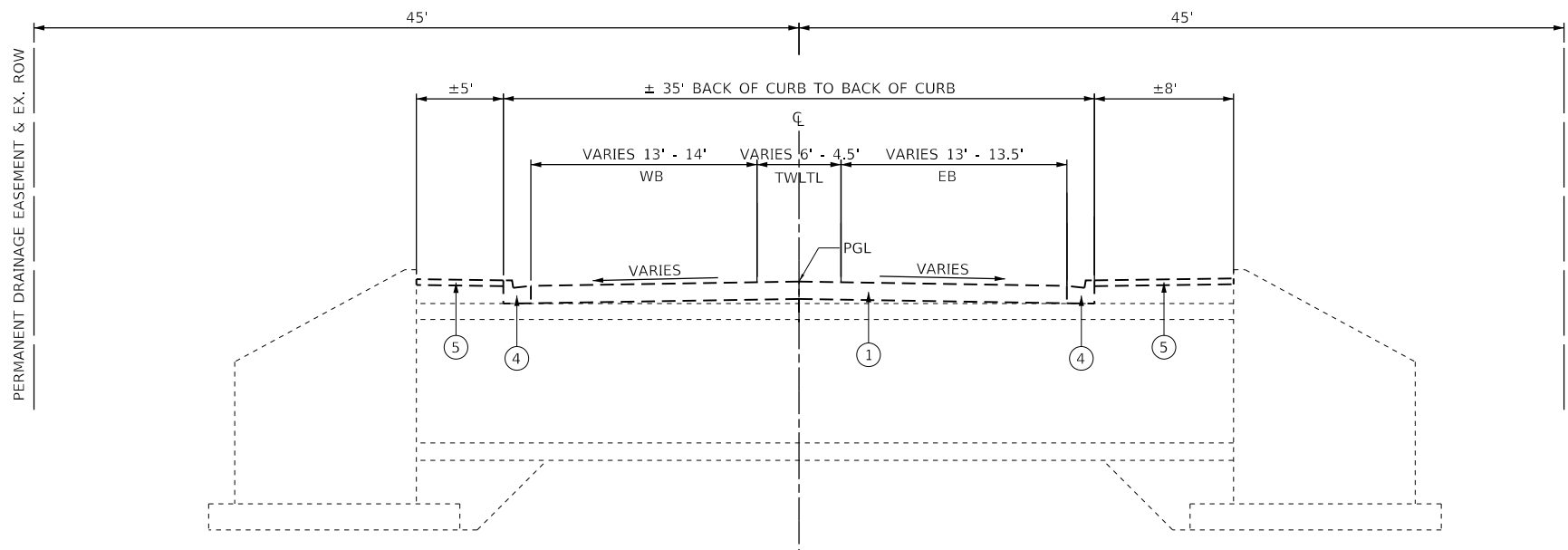
MUN RTE.	SECTION	COUNTY	TOTAL SHEETS	SHEET NO.
1730	19-00141-00-BR	JACKSON	24	4
			CONTRACT NO. 99713	
			ILLINOIS FED. AID PROJECT	



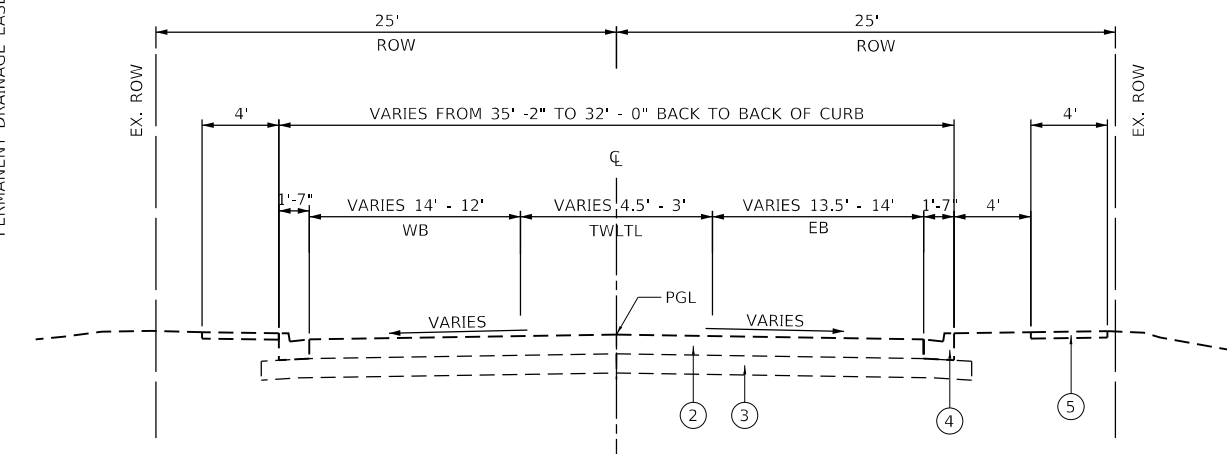
EXISTING TYPICAL SECTION
STA 16+68.00 TO STA. 17+02.70

LEGEND

- ① EX. HMA OVERLAY
- ② EX. PCC PAVEMENT
- ③ EX. AGG BASE COURSE
- ④ EX. CONCRETE CURB AND GUTTER, TYPE B-6.12
- ⑤ EX. SIDEWALK
- ⑥ PR. PCC PAVEMENT 9" (JOINTED)
- ⑦ PR. SUBBASE GRANULAR MATERIAL, TYPE A, 4" & VARIES
- ⑧ PR. CONCRETE CURB AND GUTTER, TYPE B-6.12
- ⑨ PR. PCC SIDEWALK 4"
- ⑩ PR. BICYCLE RAILING
- ⑪ PR. PCC SIDEWALK 6" SPECIAL
- ⑫ PR. LONG. JOINT (SAWED OR CONSTRUCTION) PER STD. 420001



EXISTING TYPICAL SECTION
STA 17+02.70 TO 17+33.70



EXISTING TYPICAL SECTION
STA 17+33.70 TO STA. 17+72.00

MODEL: Dwg.rvt
FILE NAME: P:\2019\190115\1A - East College Street Bridge CADD - DWG\14.7 Tran\CADD_Sheets\190115\1A-east-hydr.dwg



TWM, INC.
www.twm-inc.com
IL DESIGN FIRM
LICENSE NO:
184-001220

USER NAME = bbillhartz
DESIGNED - BAB
DRAWN - BAB
CHECKED - JWS
DATE - JULY 2023
PLOT SCALE = 10.0000 ' / in.
PLOT DATE = 8/16/2023

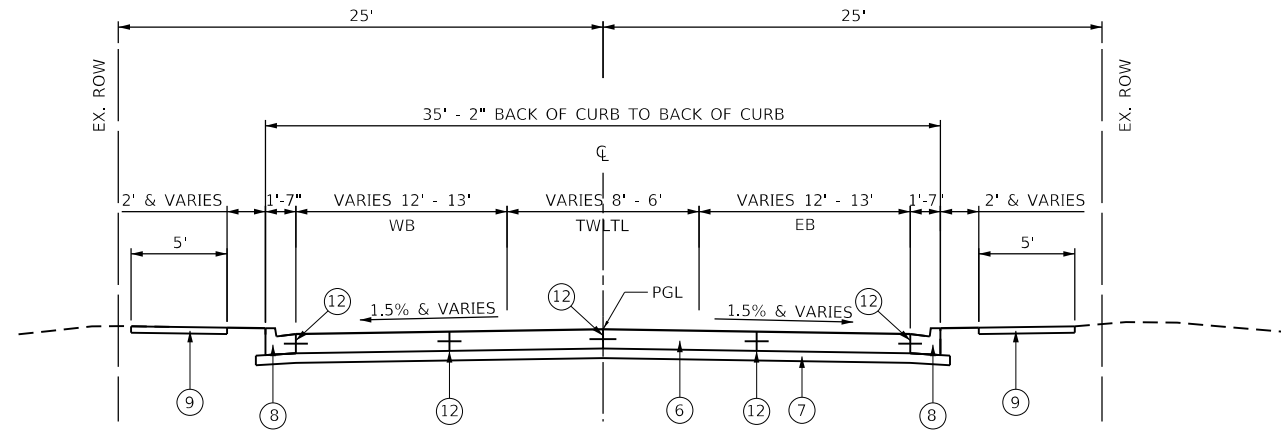
DESIGNED - BAB
DRAWN - BAB
CHECKED - JWS
DATE - JULY 2023
REVISED -
REVISED -
REVISED -
REVISED -



CITY OF CARBONDALE

**EXISTING TYPICAL SECTIONS
EAST COLLEGE STREET**
SCALE: N.T.S. SHEET 1 OF 2 SHEETS STA. TO STA.

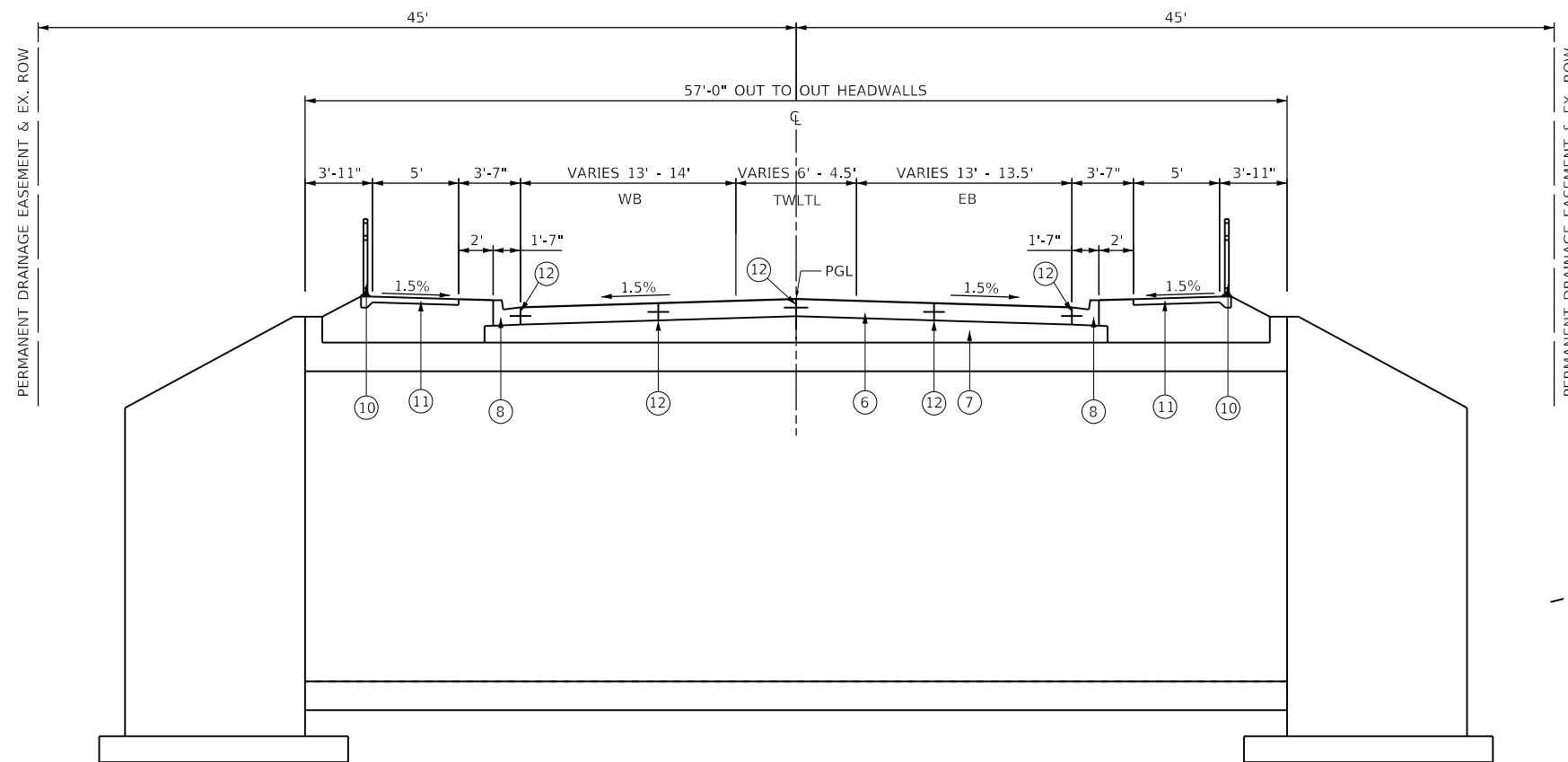
MUN. RTE.	SECTION	COUNTY	TOTAL SHEETS	SHEET NO.
1730	19-00141-00-BR	JACKSON	24	5
CONTRACT NO. 99713			ILLINOIS FED. AID PROJECT	



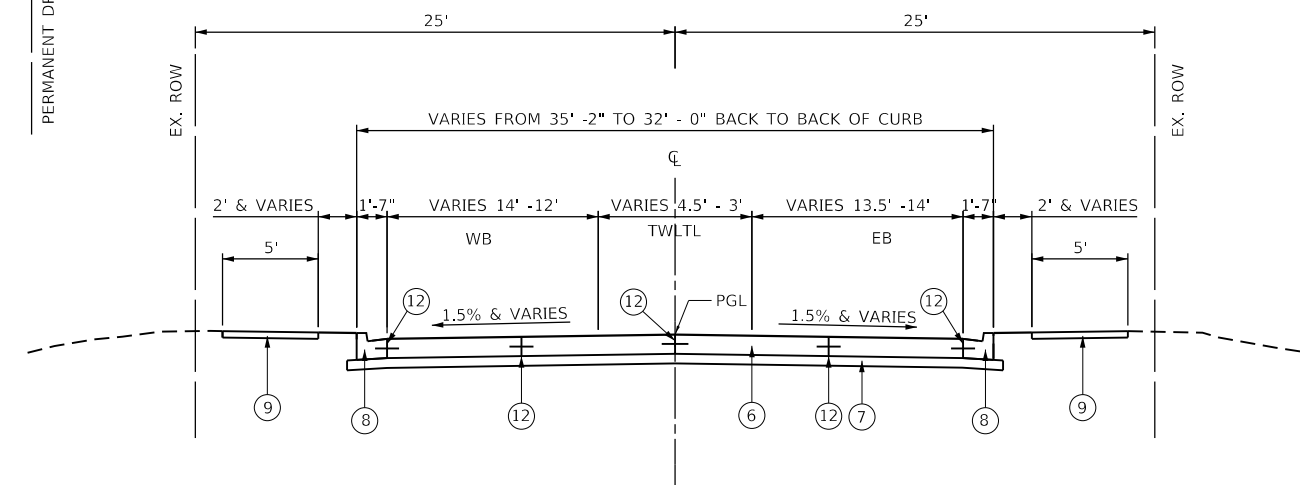
PROPOSED TYPICAL SECTION
STA 16+68.00 TO STA. 17+00.90

LEGEND

- ① EX. HMA OVERLAY
- ② EX. PCC PAVEMENT
- ③ EX. AGG BASE COURSE
- ④ EX. CONCRETE CURB AND GUTTER, TYPE B-6.12
- ⑤ EX. SIDEWALK
- ⑥ PR. PCC PAVEMENT 9" (JOINTED)
- ⑦ PR. SUBBASE GRANULAR MATERIAL, TYPE A, 4" & VARIES
- ⑧ PR. CONCRETE CURB AND GUTTER, TYPE B-6.12
- ⑨ PR. PCC SIDEWALK 4"
- ⑩ PR. BICYCLE RAILING
- ⑪ PR. PCC SIDEWALK 6" SPECIAL
- ⑫ PR. LONG. JOINT (SAWED OR CONSTRUCTION) PER STD. 420001



PROPOSED TYPICAL SECTION
STA. 17+00.90 TO STA. 17+36.40



PROPOSED TYPICAL SECTION
STA 17+36.40 TO STA. 17+72.00

MODEL: D:\d\c\1\190151A - East College Street Bridge.dwg; DWG: 19-00141-00-BR; SHEET: 19-00141-00-BR-6



TWM, INC.
www.twm-inc.com
IL DESIGN FIRM LICENSE NO: 184-001220

USER NAME = bbillhartz
DESIGNED - BAB
DRAWN - BAB
CHECKED - JWS
DATE - JULY 2023

REVISED -
REVISED -
REVISED -
REVISED -



CITY OF CARBONDALE

PROPOSED TYPICAL SECTIONS
EAST COLLEGE STREET

MUN. RTE.	SECTION	COUNTY	TOTAL SHEETS	SHEET NO.
1730	19-00141-00-BR	JACKSON	24	6
CONTRACT NO. 99713			ILLINOIS FED. AID PROJECT	

SCALE: N.T.S. SHEET 2 OF 2 SHEETS STA. TO STA.

LOCATION			EARTH EXCAVATION CU YD	FOR INFORMATION ONLY		
				EARTH EXCAVATION ADJUSTED FOR 25% SHRINKAGE CU YD	EMBANKMENT CU YD	BALANCE WASTE (+) SHORTAGE (-) CU YD
STATION	TO	STATION	CU YD	CU YD	CU YD	CU YD
16+68.00	TO	17+72.00	7	5	3	2
SUB-TOTAL :			7	0	3	0
PAY TOTAL :			5			

PAVEMENT SCHEDULE						
STATION				SUBBASE GRANULAR MATERIAL, TYPE A	PORTLAND CEMENT CONCRETE PAVEMENT 9" (JOINTED)	COMBINATION CURB AND GUTTER, TYPE B-6.12
STATION	TO	STATION	LT/RT	TON	SQ YD	FOOT
16+68.00	TO	17+00.90	LT/RT	30.9	117.1	
16+68.00	TO	17+00.90	LT			33.0
16+68.00	TO	17+00.90	RT			32.8
17+00.90	TO	17+36.40	LT/RT	33.3	126.2	
17+00.90	TO	17+36.40	LT			35.5
17+00.90	TO	17+36.40	RT			35.5
17+36.40	TO	17+72.00	LT/RT	31.9	120.3	
17+36.40	TO	17+72.00	LT			35.7
17+36.40	TO	17+72.00	RT			35.7
TOTAL :				96	364	208

REMOVAL SCHEDULE							
STATION				PAVEMENT REMOVAL	DRIVEWAY PAVEMENT REMOVAL	COMBINATION CURB AND GUTTER REMOVAL	HANDRAIL REMOVAL
STATION	TO	STATION	LT/RT	SQ YD	SQ YD	FOOT	FOOT
16+68.00	TO	17+72.00	LT/RT	363.6			
16+68.00	TO	17+72.00	LT			104.2	
16+68.00	TO	17+72.00	RT			104.0	
16+92.73	TO	17+48.01	LT				55.4
16+92.64	TO	17+53.96	RT				61.6
17+52.18	TO	17+68.75	LT		12.7		
TOTAL :				364	13	208	117

SEEDING SCHEDULE						
STREET	SEEDING, CLASS 2A	NITROGEN FERTILIZER NUTRIENT	PHOSPHORUS FERTILIZER NUTRIENT	POTASSIUM FERTILIZER NUTRIENT	MULCH METHOD 2	TEMPORARY EROSION CONTROL SEEDING
	ACRE	POUND	POUND	POUND	ACRE	POUND
E COLLEGE ST	0.13	11.3	11.3	11.3	0.13	50.0
PAY-TOTAL:	0.25	10	10	10	0.25	50

MODEL: D:\d\c\h\...
 FILE NAME: P:\2019\190151A - East College Street Bridge\4 CADD - DWG\4.7 Tran\CADD_Sheets\190151A-ash-schedule.dgn



TWM, INC.
 www.twm-inc.com
 IL DESIGN FIRM
 LICENSE NO:
 184-001220

USER NAME = bbillhartz
 DESIGNED - BAB
 DRAWN - BAB
 CHECKED - JWS
 DATE - JULY 2023

REVISED -
 REVISED -
 REVISED -
 REVISED -



CITY OF CARBONDALE

SCHEDULE OF QUANTITIES
 SCALE: SHEET 1 OF 2 SHEETS STA. TO STA.

MUN. RTE.	SECTION	COUNTY	TOTAL SHEETS	SHEET NO.
1730	19-00141-00-BR	JACKSON	24	7
CONTRACT NO. 99713				
ILLINOIS FED. AID PROJECT				

STORM SEWER SCHEDULE										
STATION			STORM SEWERS, CLASS A, TYPE 1, 15 INCH	STORM SEWERS, CLASS A, TYPE 1, 24 INCH	MANHOLES, TYPE A, 4'-DIAMETER, TYPE 11 FRAME AND GRATE	INLETS, TYPE A, TYPE 11 FRAME AND GRATE	CONCRETE COLLAR	STORM SEWER REMOVAL, 24"	DRAINAGE STRUCTURE TO BE REMOVED	TRENCH BACKFILL
STATION	TO	STATION	FOOT	FOOT	EACH	EACH	CU YD	FOOT	EACH	CU YD
16+85.01	TO	16+88.84		8.6	1		0.45	11.6	1.0	3.4
16+88.84	TO	16+98.15						22.7		
16+88.84	TO	16+98.00		15.0						3.4
16+88.84	TO	16+94.31	3.2			1				0.6
TOTAL:			3	24	1	1	0.5	34	1	7

MISCELLANEOUS SCHEDULE				
STATION		INLETS TO BE ADJUSTED	INLET AND PIPE PROTECTION	SANITARY MANHOLES TO BE ADJUSTED
STATION	LT/RT	EACH	EACH	EACH
16+75.29	RT	1	1	
16+88.48	LT		1	
16+93.31	LT		1	
17+62.18	RT	1	1	
17+70.45	LT			1
TOTAL:		2	4	1

PAVEMENT MARKING SCHEDULE						
STATION					PAINT PAVEMENT MARKING	
STATION	TO	STATION	LT/RT	TYPE	LINE - 4" FOOT	LINE - 12" FOOT
16+68.00	TO	17+72.00	LT	SOLID DOUBLE YELLOW CENTERLINE	208.0	
16+68.00	TO	17+72.00	RT	SOLID DOUBLE YELLOW CENTERLINE	208.0	
16+77.51	TO	16+86.51	LT//RT	SOLID WHITE CROSSWALK LINES		64.4
TOTAL:					416	64

SIDEWALK SCHEDULE							
STATION				PORTLAND CEMENT CONCRETE SIDEWALK 4 INCH	PORTLAND CEMENT CONCRETE SIDEWALK 6 INCH, SPECIAL	DETECTABLE WARNINGS	SIDEWALK REMOVAL
STATION	TO	STATION	LT/RT	SQ FT	SQ FT	SQ FT	SQ FT
16+68.00	TO	16+92.75	LT	124.3		20.0	456.3
16+65.60	TO	16+92.75	RT	207.0		20.0	647.3
16+92.75	TO	17+41.71	LT		273.6		
16+92.75	TO	17+42.11	RT		283.5		
17+41.75	TO	17+81.13	LT	210.4			
17+42.09	TO	17+69.33	RT	140.2			
TOTAL:				682	557	40	1104

MODEL: D:\p1\1901151A - East College Street Bridge\4 CADD - DWG\4.7 Tran\CADD_Sheets\1901151A-ash-schedule.dgn
 FILE NAME: P:\2019\1901151A - East College Street Bridge\4 CADD - DWG\4.7 Tran\CADD_Sheets\1901151A-ash-schedule.dgn



TWM, INC.
 www.twm-inc.com
 ILL. DESIGN FIRM
 LICENSE NO:
 184-001220

USER NAME = bbillhartz
 DESIGNED - BAB
 DRAWN - BAB
 CHECKED - JWS
 DATE - JULY 2023

REVISED -
 REVISED -
 REVISED -
 REVISED -


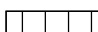
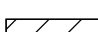




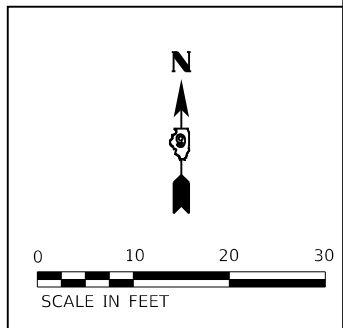
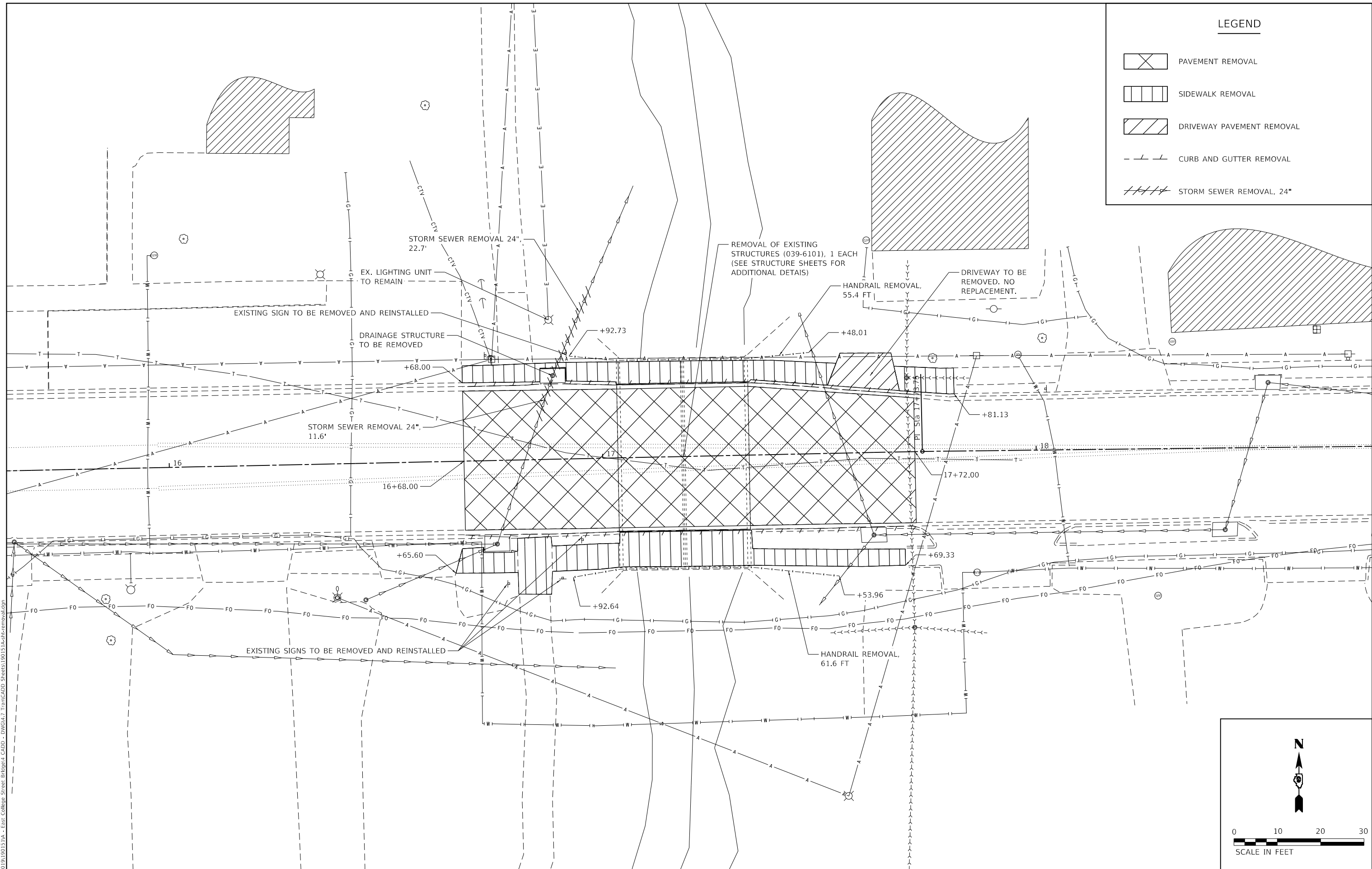
CITY OF CARBONDALE

SCHEDULE OF QUANTITIES
 SCALE: SHEET 2 OF 2 SHEETS STA. TO STA.

MUN. RTE.	SECTION	COUNTY	TOTAL SHEETS	SHEET NO.
1730	19-00141-00-BR	JACKSON	24	8
CONTRACT NO. 99713			ILLINOIS FED. AID PROJECT	

LEGEND

-  PAVEMENT REMOVAL
-  SIDEWALK REMOVAL
-  DRIVEWAY PAVEMENT REMOVAL
-  CURB AND GUTTER REMOVAL
-  STORM SEWER REMOVAL, 24"



MODEL: Dwg.rvt
 FILE NAME: P:\2019\190151A - East College Street Bridge\4.7 Tran\CADD_Sheets\190151A-shr-removeal.dgn

TWM
ENGINEERING
GEOSPATIAL SERVICES

TWM, INC.
www.twm-inc.com
IL DESIGN FIRM
LICENSE NO:
184-001220

USER NAME = bblhartz	DESIGNED - BAB	REVISED -
PLOT SCALE = 20,0000 ' / in.	DRAWN - BAB	REVISED -
PLOT DATE = 7/26/2023	CHECKED - JWS	REVISED -
	DATE - JULY 2023	REVISED -

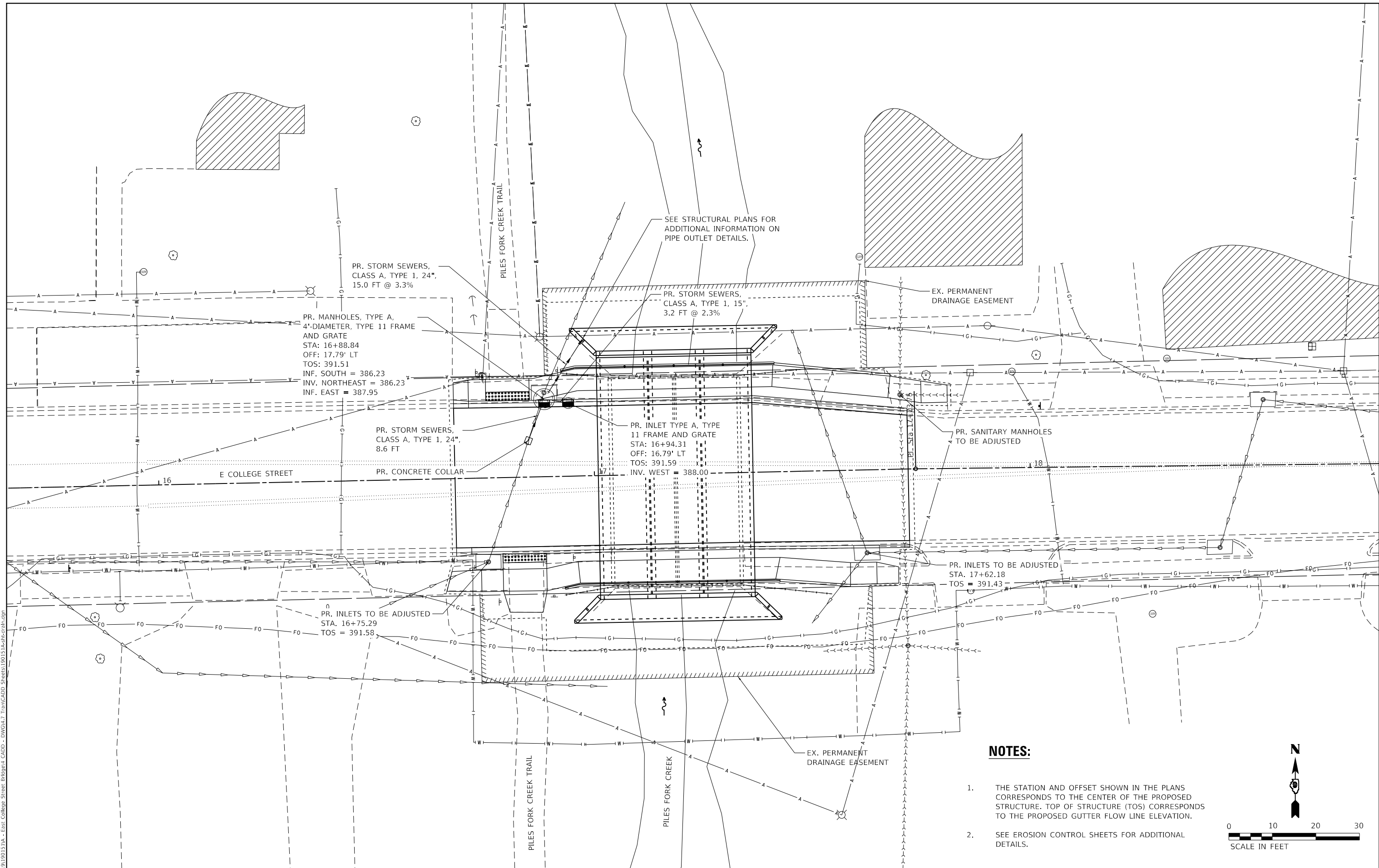


CITY OF CARBONDALE

**REMOVAL PLAN
EAST COLLEGE STREET**

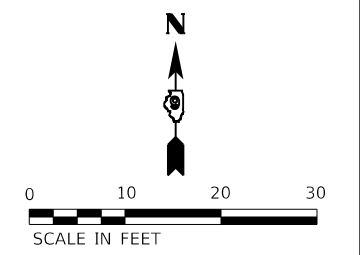
SCALE: 1"=10' SHEET 1 OF 1 SHEETS STA. TO STA.

MUN. RTE.	SECTION	COUNTY	TOTAL SHEETS	SHEET NO.
1730	19-00141-00-BR	JACKSON	24	9
CONTRACT NO. 99713				
ILLINOIS FED. AID PROJECT				



NOTES:

1. THE STATION AND OFFSET SHOWN IN THE PLANS CORRESPONDS TO THE CENTER OF THE PROPOSED STRUCTURE. TOP OF STRUCTURE (TOS) CORRESPONDS TO THE PROPOSED GUTTER FLOW LINE ELEVATION.
2. SEE EROSION CONTROL SHEETS FOR ADDITIONAL DETAILS.



MODEL: Dwg.dgn
 FILE NAME: P:\2019\1901151A - East College Street Bridge4 CAD - DWG\4.7 TranCAD_Sheets\1901151A-sh4-cad.dgn

	TWM, INC. www.twm-inc.com IL DESIGN FIRM LICENSE NO: 184-001220	USER NAME = bbillhartz PLOT SCALE = 20.0000 "/>	DESIGNED - BAB DRAWN - BAB CHECKED - JWS DATE - JULY 2023	REVISED - REVISED - REVISED - REVISED -
--	--	--	--	--





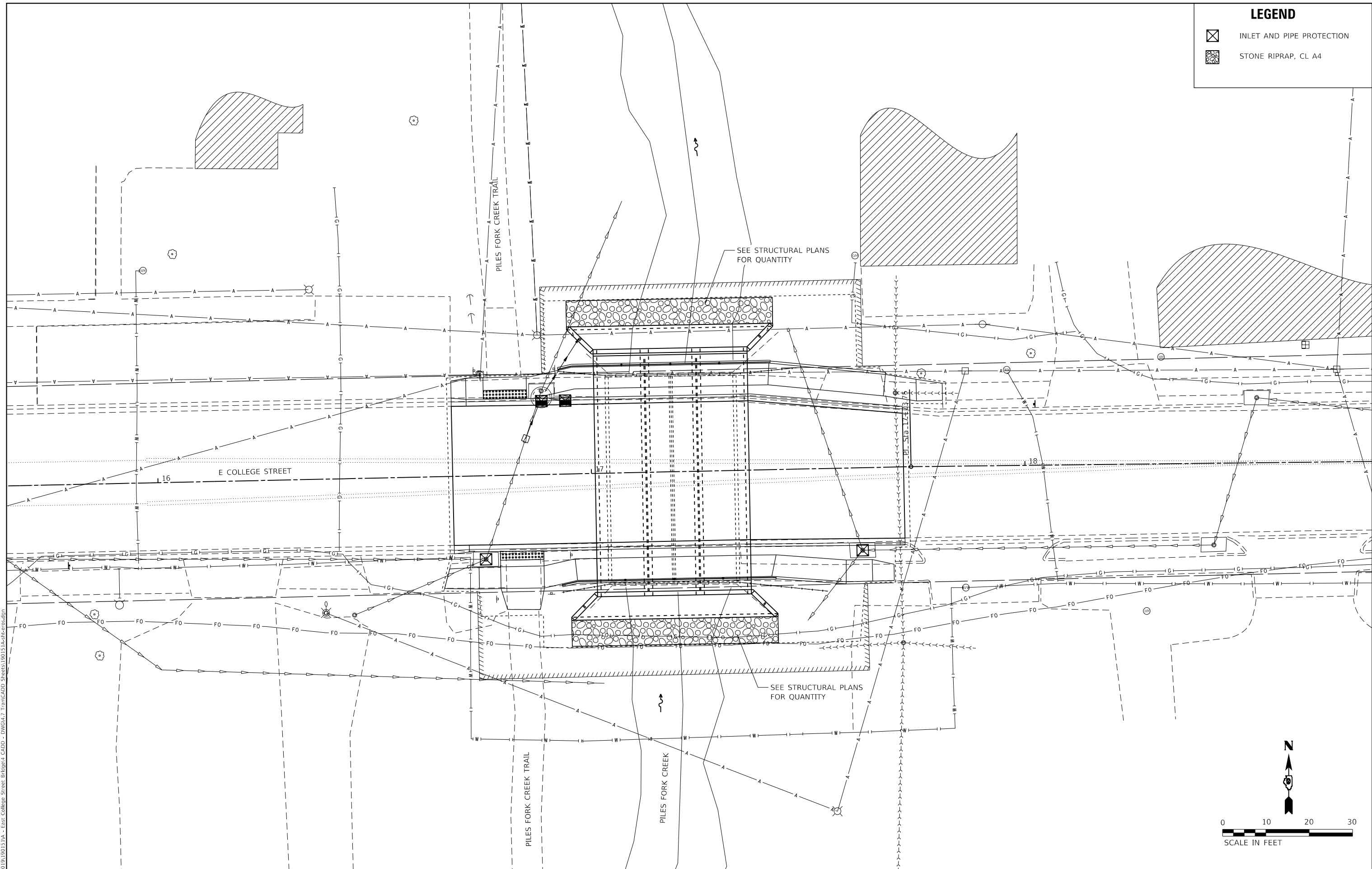
CITY OF CARBONDALE
DRAINAGE PLAN
EAST COLLEGE STREET

SCALE: 1"=10'	SHEET 1	OF 1 SHEETS	STA. 16+68.00	TO STA. 17+72.00
---------------	---------	-------------	---------------	------------------

MUN. RTE.	SECTION	COUNTY	TOTAL SHEETS	SHEET NO.
1730	19-00141-00-BR	JACKSON	24	11
CONTRACT NO. 99713				
ILLINOIS FED. AID PROJECT				

LEGEND

-  INLET AND PIPE PROTECTION
-  STONE RIPRAP, CL A4



MODEL: Dwg.dgn
 FILE NAME: P:\2019\190151A - East College Street Bridge4 CAD - DWG\4.7 Tran\CADD_Sheets\190151A-esh-eros.dgn


TWM, INC.
 www.twm-inc.com
 IL DESIGN FIRM LICENSE NO: 184-001220

USER NAME =	bbillhartz
PLOT SCALE =	20.0000" / in.
PLOT DATE =	7/26/2023

DESIGNED -	BAB
DRAWN -	BAB
CHECKED -	JWS
DATE -	JULY 2023

REVISED -	
REVISED -	
REVISED -	
REVISED -	

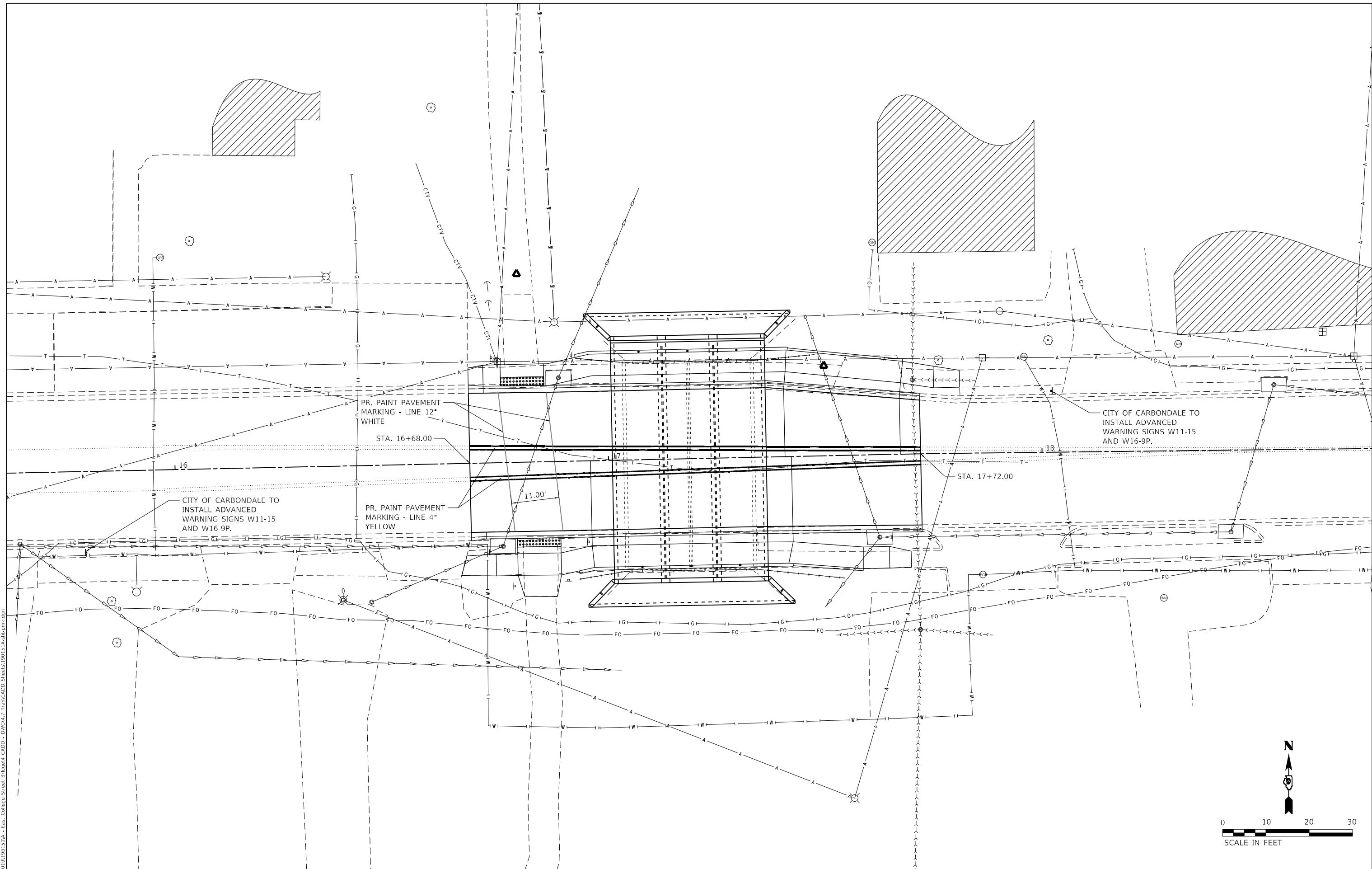


CITY OF CARBONDALE

EROSION CONTROL PLAN
EAST COLLEGE STREET
 SCALE: 1"=10' SHEET 1 OF 1 SHEETS STA. 16+68.00 TO STA. 17+72.00

MUN. RTE.	SECTION	COUNTY	TOTAL SHEETS	SHEET NO.
1730	19-00141-00-BR	JACKSON	24	12
CONTRACT NO. 99713				
ILLINOIS FED. AID PROJECT				

MODEL: D:\cadd\19011901151A - East College Street Bridge\1901151A-shp-prk.dgn
 FILE NAME: P:\2019\1901151A - East College Street Bridge\1901151A-shp-prk.dgn



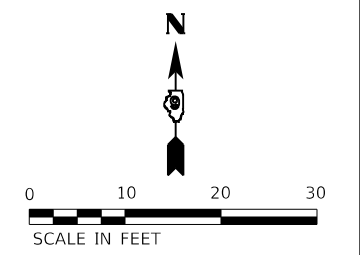
PR. PAINT PAVEMENT MARKING - LINE 12" WHITE
 STA. 16+68.00

CITY OF CARBONDALE TO INSTALL ADVANCED WARNING SIGNS W11-15 AND W16-9P.

PR. PAINT PAVEMENT MARKING - LINE 4" YELLOW

CITY OF CARBONDALE TO INSTALL ADVANCED WARNING SIGNS W11-15 AND W16-9P.

STA. 17+72.00



USER NAME = bbillhartz
 PLOT SCALE = 20.0000 "/math>in.
 PLOT DATE = 7/26/2023

DESIGNED - BAB
 DRAWN - BAB
 CHECKED - JWS
 DATE - JULY 2023

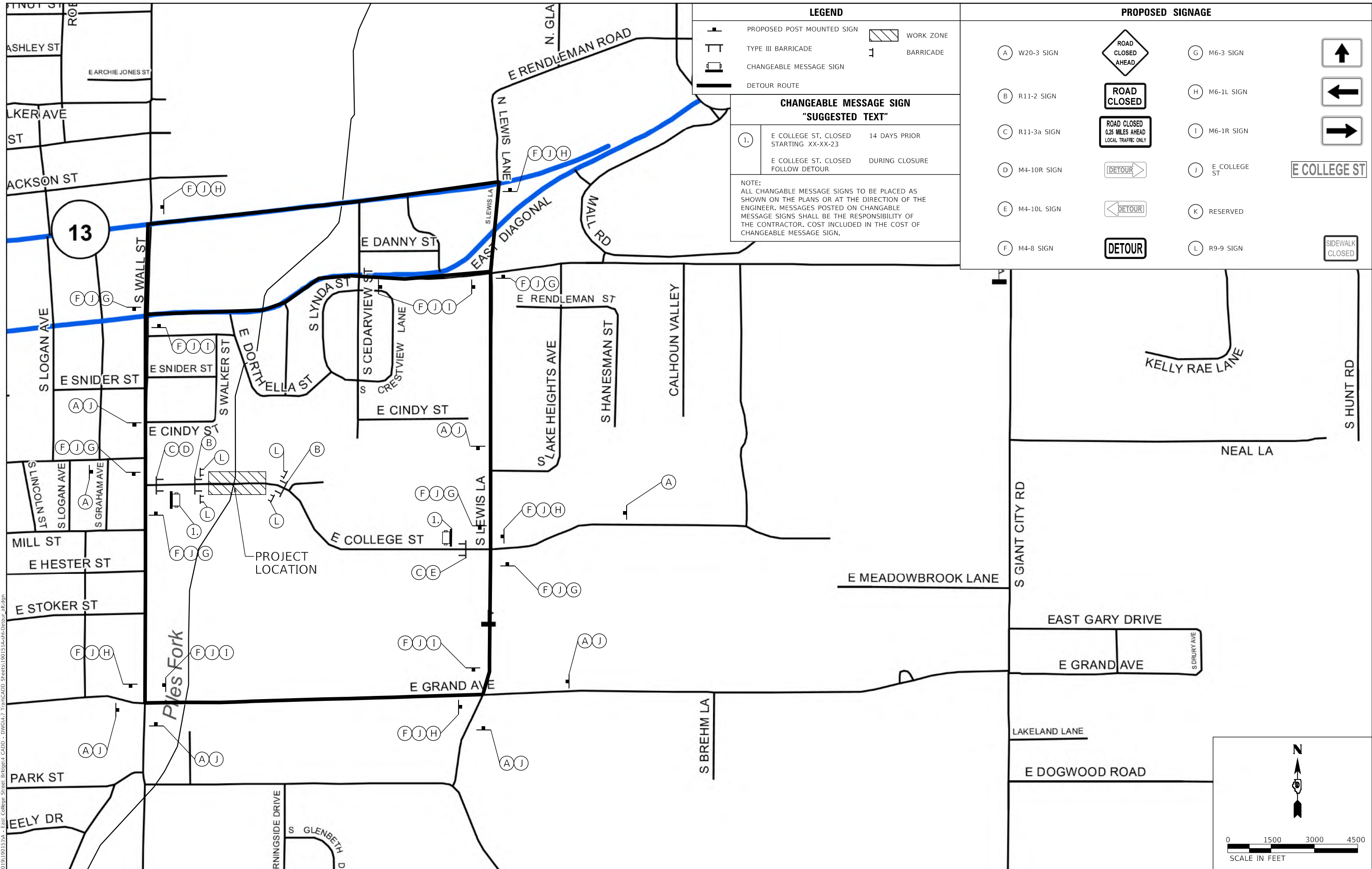
REVISED -
 REVISED -
 REVISED -
 REVISED -



CITY OF CARBONDALE

PAVEMENT MARKING EAST COLLEGE STREET
 SCALE: 1"=10' SHEET 1 OF 1 SHEETS STA. 16+68.00 TO STA. 17+72.00

MUN. RTE.	SECTION	COUNTY	TOTAL SHEETS	SHEET NO.
1730	19-00141-00-BR	JACKSON	24	13
CONTRACT NO. 99713				
ILLINOIS FED. AID PROJECT				



LEGEND

- PROPOSED POST MOUNTED SIGN
- TYPE III BARRICADE
- CHANGEABLE MESSAGE SIGN
- DETOUR ROUTE
- WORK ZONE
- BARRICADE

**CHANGEABLE MESSAGE SIGN
"SUGGESTED TEXT"**

1. E COLLEGE ST. CLOSED 14 DAYS PRIOR STARTING XX-XX-23

E COLLEGE ST. CLOSED DURING CLOSURE FOLLOW DETOUR

NOTE:
ALL CHANGABLE MESSAGE SIGNS TO BE PLACED AS SHOWN ON THE PLANS OR AT THE DIRECTION OF THE ENGINEER. MESSAGES POSTED ON CHANGABLE MESSAGE SIGNS SHALL BE THE RESPONSIBILITY OF THE CONTRACTOR. COST INCLUDED IN THE COST OF CHANGABLE MESSAGE SIGN.

PROPOSED SIGNAGE

A W20-3 SIGN	ROAD CLOSED AHEAD	G M6-3 SIGN	↑
B R11-2 SIGN	ROAD CLOSED	H M6-1L SIGN	←
C R11-3a SIGN	ROAD CLOSED 0.25 MILES AHEAD LOCAL TRAFFIC ONLY	I M6-1R SIGN	→
D M4-10R SIGN	DETOUR	J E COLLEGE ST	E COLLEGE ST
E M4-10L SIGN	DETOUR	K RESERVED	
F M4-8 SIGN	DETOUR	L R9-9 SIGN	SIDEWALK CLOSED

MODEL: D:\p1\19011511A - East College Street Bypass CADD - DWG\04.7 Twp\CADD_Sheets\19011511A-esh-Detour_alk.dwg
 FILE NAME: P:\2019\19011511A - East College Street Bypass CADD - DWG\04.7 Twp\CADD_Sheets\19011511A-esh-Detour_alk.dwg

TWM
ENGINEERING
GEOSPATIAL SERVICES

TWM, INC.
www.twm-inc.com
ILLINOIS DESIGN FIRM
LICENSE NO: 184-001220

USER NAME = bbilhartz	DESIGNED - BAB	REVISED -
PLOT SCALE = 3000.0000' / in.	DRAWN - BAB	REVISED -
PLOT DATE = 7/26/2023	CHECKED - JWS	REVISED -
	DATE - JULY 2023	REVISED -

DESIGNED - BAB	REVISED -
DRAWN - BAB	REVISED -
CHECKED - JWS	REVISED -
DATE - JULY 2023	REVISED -

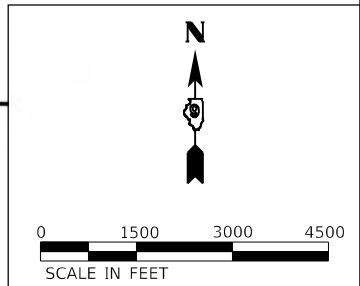


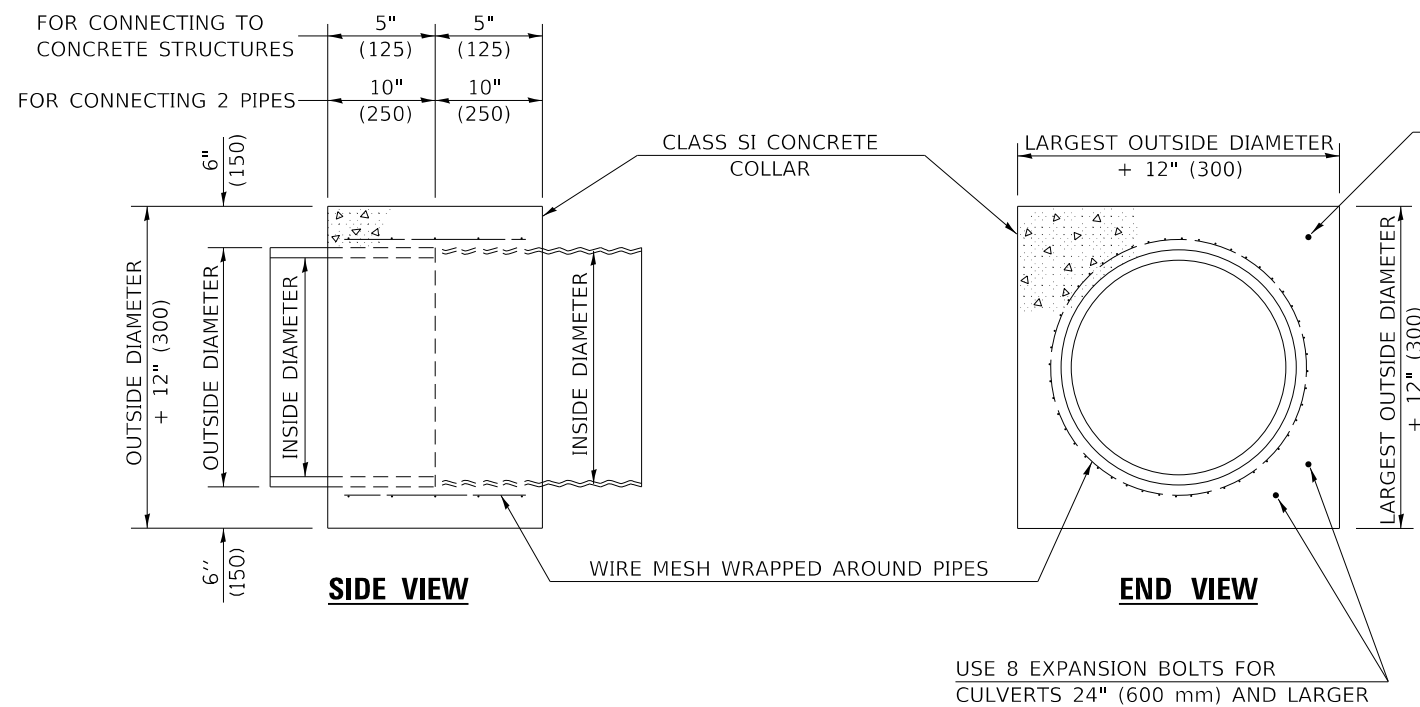
CITY OF CARBONDALE

**DETOUR PLAN
EAST COLLEGE STREET**

SCALE: 1"=1500' SHEET 1 OF 1 SHEETS STA. TO STA.

MUN. RTE.	SECTION	COUNTY	TOTAL SHEETS	SHEET NO.
1730	19-00141-00-BR	JACKSON	24	14
CONTRACT NO. 99713				
ILLINOIS FED. AID PROJECT				





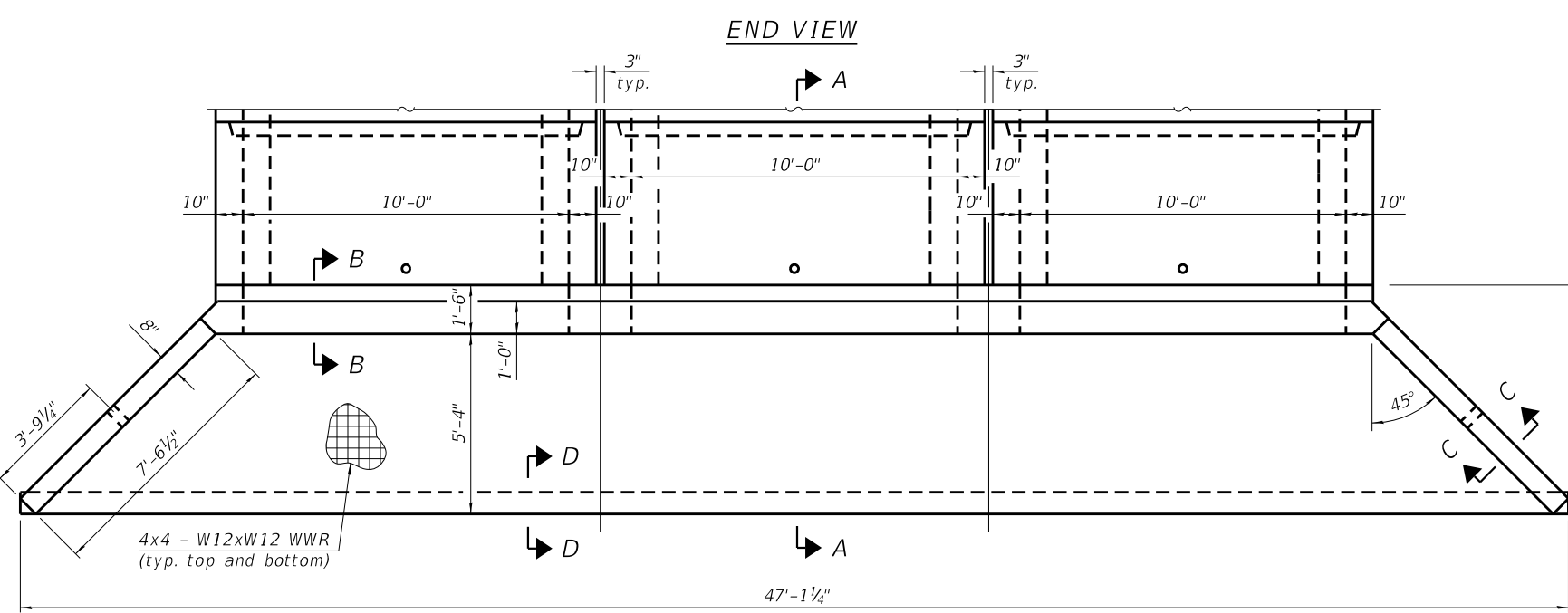
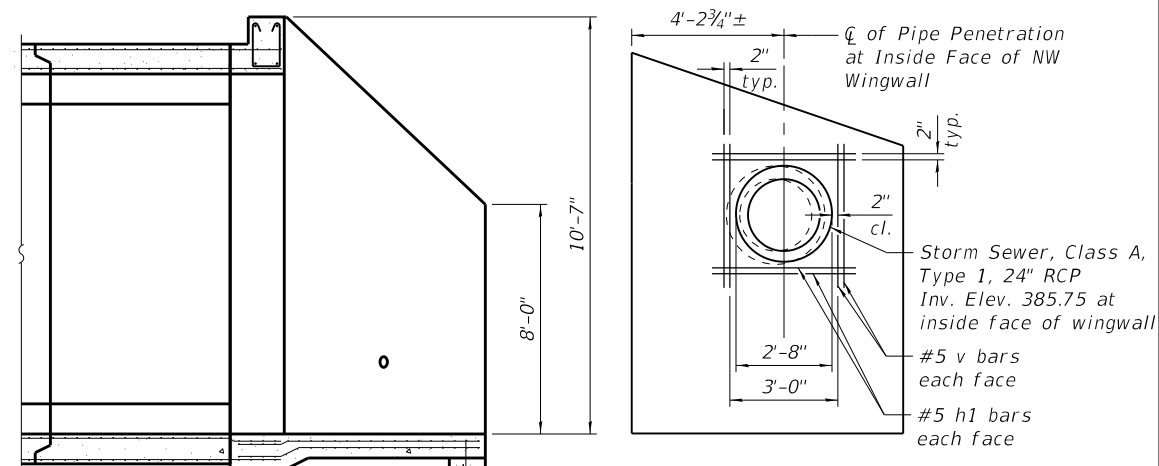
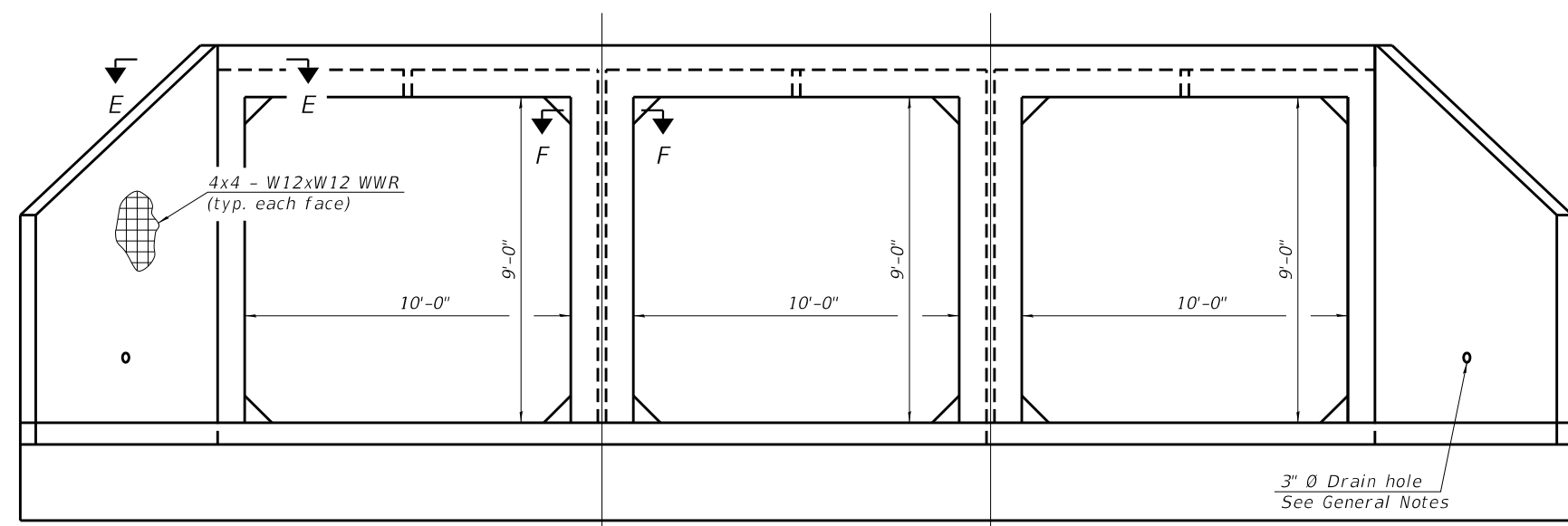
QUANTITIES FOR:	CONCRETE PIPES	METAL PIPES
INSIDE DIAMETER OF PIPE	ESTIMATED CLASS SI CONCRETE REQUIRED	ESTIMATED CLASS SI CONCRETE REQUIRED
INCH (mm)	CU.YD. (m ³)	CU.YD. (m ³)
4" (100)	0.14 (0.11)	0.14 (0.11)
6" (150)	0.16 (0.12)	0.16 (0.12)
8" (200)	0.19 (0.14)	0.19 (0.14)
10" (250)	0.22 (0.17)	0.22 (0.17)
12" (300)	0.25 (0.19)	0.25 (0.19)
15" (375)	0.30 (0.23)	0.30 (0.23)
18" (450)	0.35 (0.27)	0.35 (0.27)
24" (600)	0.45 (0.35)	0.45 (0.35)
30" (750)	0.57 (0.43)	0.57 (0.43)
36" (900)	0.69 (0.53)	0.69 (0.53)
42" (1050)	0.83 (0.63)	0.83 (0.63)
48" (1200)	0.97 (0.74)	0.97 (0.74)
54" (1350)	1.12 (0.86)	1.12 (0.86)
60" (1500)	1.28 (0.98)	1.28 (0.98)

GENERAL NOTES

1. CLASS SI CONCRETE SHALL BE USED THROUGHOUT.
2. WHEN CONCRETE COLLARS ARE USED TO CONNECT PIPES OF DIFFERENT OUTSIDE DIAMETERS, THE CONCRETE COLLAR SHALL BE FORMED USING THE LARGEST OUTSIDE DIAMETER (SEE END VIEW).
3. THE WIRE MESH SHALL WEIGH NOT LESS THAN 54#/100 SQ. FT. (2.63 kg/m²).
4. WHEN CONCRETE COLLARS ARE CONSTRUCTED ADJACENT TO AN EXISTING CONCRETE STRUCTURE (HEADWALLS, ETC.) EXPANSION BOLTS, SHALL BE USED AND WILL BE PAID FOR AT THE CONTRACT UNIT PRICE, EACH, FOR EXPANSION BOLTS OF THE SIZE SPECIFIED IN THE PLANS.
5. CONCRETE COLLARS WILL BE PAID FOR AT THE CONTRACT UNIT PRICE, PER CUBIC YARD (CUBIC METER), FOR CONCRETE COLLARS INCLUDING ALL MATERIAL AND LABOR SPECIFIED TO COMPLETE THE WORK IN PLACE.

PIPE CULVERT EXTENSION COLLAR

MODEL: D:\dgn\11\1901151A - East College Street Bridge\1901151A-eastcollar.dwg
FILE NAME: P:\2019\1901151A - East College Street Bridge\1901151A-eastcollar.dwg



SECTION A-A

GENERAL NOTES

The design fill height for this box is 1.1 ft. The precast box culvert sections shall conform to the requirements of ASTM C 1577.

Drain holes shall be provided on exterior culvert walls for each precast box segment with a clear rise greater than 3 ft. The drain hole shall be located within 1/2 of the clear rise of the box culvert, shall not intercept the haunch, and shall conform to the requirements of Article 503.11 of the Standard Specification.

Nonwoven geotextile fabric shall conform to the requirements of Art. 1080.01 of the Standard Specification. The minimum weight of the fabric shall be 6 ounces per square yard.

Precast concrete box culverts and box culvert end sections shall be backfilled with Porous Granular Embankment in the required excavation areas on the sides of the box culvert from the top of the box culvert to the bottom of the box culvert. This area of PGE is included in the Porous Granular Embankment pay item.

Box Culvert End Sections shall be constructed according to the requirements of Section 540 of the Standard Specifications except as modified herein. End sections will be paid for at the contract unit price per each for Box Culvert End Sections.

Box section dimensions, materials, and reinforcement details for Box Culvert End Sections shall be according to the requirements for ASTM C 1577 as required for the design of the portion of the culvert within the limits of Precast Concrete Box Culverts except as modified herein.

The details contained herein are for constructing the end sections using cast-in-place (CIP) construction. The Contractor may propose to furnish the end sections using precast construction methods and the end sections may consist of multiple precast concrete segments. The Contractor shall be responsible for determining all details associated with the precast option including any strengthening or stiffening provisions necessary for handling the precast segments. Conceptual details followed by shop drawings and design calculations sealed by an Illinois Licensed Structural Engineer shall be submitted to the Engineer for review and approval. Elements of the precast option shall at a minimum result in the same wingwall geometry and not have a thickness less than that detailed herein. The option to construct the end sections using precast construction methods shall be at no additional charge.

Shop drawings that detail slab thickness and reinforcement layout for the Box Culvert End Sections shall be provided to the Engineer for review and approval. Reinforcement bars not detailed herein shall be detailed with a clear distance at the end of the reinforcement not less than 1/2" nor more than 2".

The contractor may use reinforcement bars in lieu of welded wire reinforcement (WWR). Reinforcement bars shall be limited to the sizes of #3 through #5 bars, a maximum spacing of the lesser of 8" or the member thickness, and shall result in an area of reinforcement equal to or greater than that provided by the WWR. Minimum lap lengths detailed herein are applicable to WWR and reinforcement bars.

Reinforcement (circumferential and longitudinal) in the precast concrete box culvert segments immediately adjacent to the box culvert end sections that is being lapped with the end section reinforcement shall not be less than that required by ASTM C 1577 for the design fill height or the reinforcement detailed for the end section, whichever is greater.

One drain hole shall be provided in each wingwall for end sections of box culverts having an opening with a clear rise greater than 3 ft. The drain hole shall be located within 1/3 of the clear rise of the box culvert and shall conform to the requirements of Article 503.11 of the Standard Specifications.

Pipe sections shall be cast in the exterior culvert walls at the location shown. The ends shall extend a minimum of 6 inches past the inside face of walls. The pipes shall extend through and beyond the outside face a sufficient distance to allow connections.

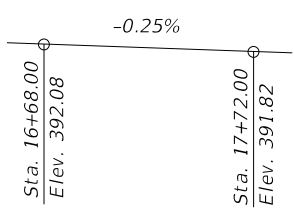
The Contractor shall carefully construct the walls around the pipes to prevent leakage along the surfaces. The Contractor shall seal any voids between the culvert walls and sections with non-shrink grout per Article 1024.02 of the Standard Specifications.

The cost of the connection shall not be paid for separately but shall be included in the length of pipe culvert or storm sewer of the class, type, and size shown.

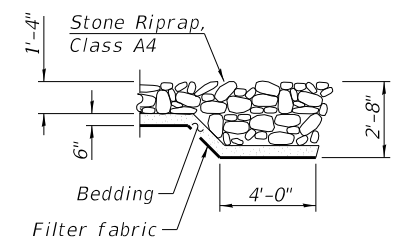
BILL OF MATERIAL
(for Information Only)

Bar	No.	Size	Length	Shape
h	8	#8	35'-3"	
h1	8	#5	4'-0"	
v	8	#5	4'-0"	
s	43	#4	4'-0"	
s1	43	#4	3'-11"	
Concrete Box Culvert		Cu. Yd.	33.9	
Reinforcement Bars		Pound	1050	

* Northwest wingwall only



PROFILE GRADE
(Along C E. College St.)



SECTION G-G

PILES FORK
BUILT BY
CITY OF CARBONDALE
SEC. 19-00141-00-BR
STA. 17+18.65
STR. NO. 039-6015 LOADING HL-93

NAME PLATE
See Std. 515001

MODEL: Default
FILE NAME: P:\2019\190151A - East College Street Bridge\4 - CADD - DWG\4-4 Struc\0396105-001.dgn
7/25/2023 12:39:28 PM



USER NAME = mlamb
DESIGNED - MAL
CHECKED - BWP
PLOT SCALE = 0:2,0000 "/in.
DRAWN - MAL
PLOT DATE = 7/25/2023
CHECKED - BWP
REVISED -
REVISED -
REVISED -
REVISED -

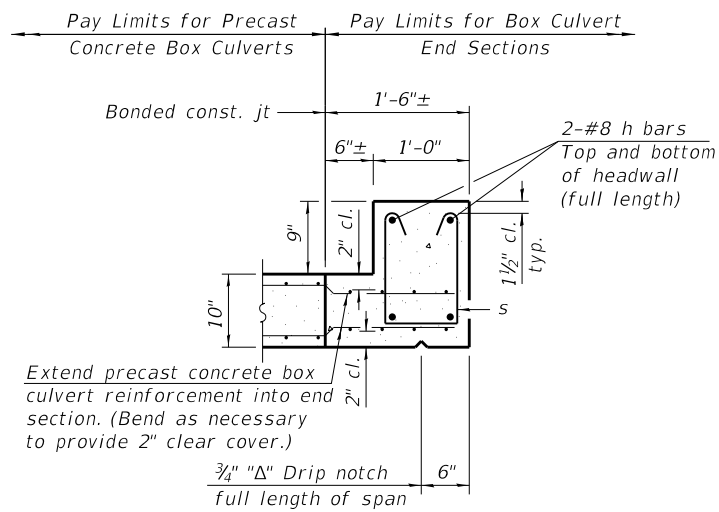
DESIGNED - MAL
CHECKED - BWP
DRAWN - MAL
CHECKED - BWP
REVISED -
REVISED -
REVISED -
REVISED -



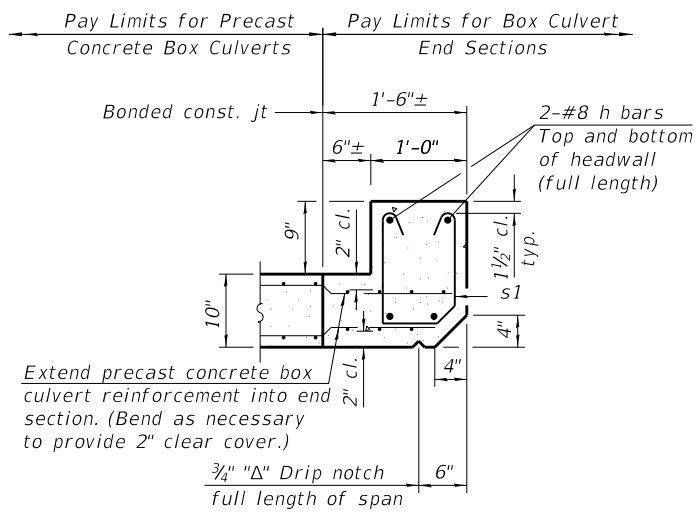
CITY OF CARBONDALE

MULTI-CELL PRECAST CONCRETE BOX CULVERT APRON END
SECTION DETAILS - STRUCTURE NO. 039-6015

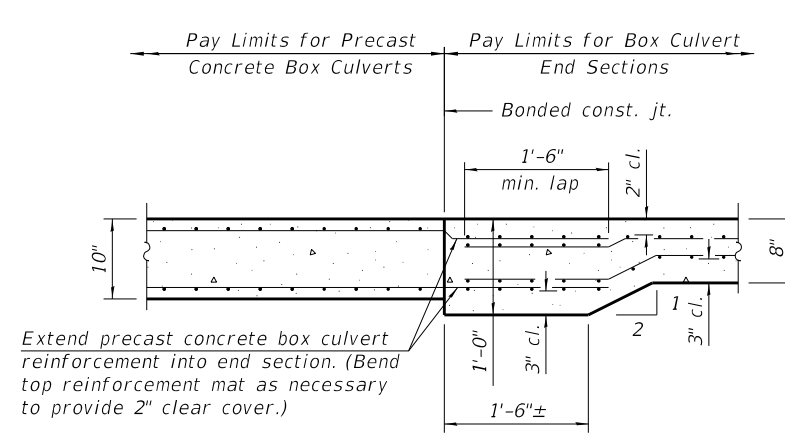
MUN. ST.	SECTION	COUNTY	TOTAL SHEETS	SHEET NO.
1730	19-00141-00-BR	JACKSON	24	18
CONTRACT NO. 99713				
ILLINOIS FED. AID PROJECT				



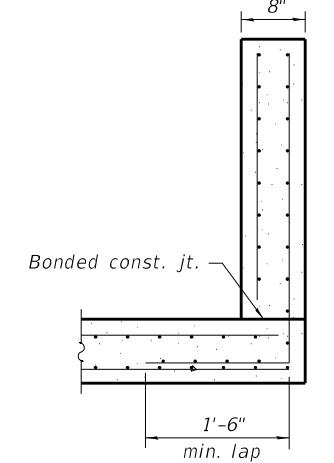
SECTION B-B
(Top slab at downstream end)



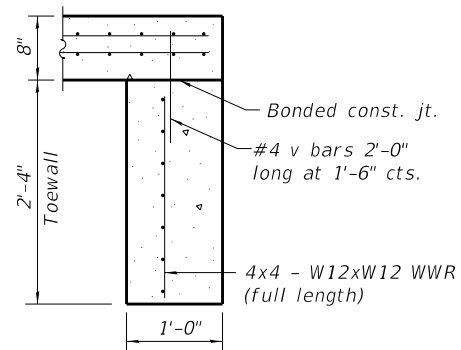
SECTION B-B
(Top slab at upstream end)



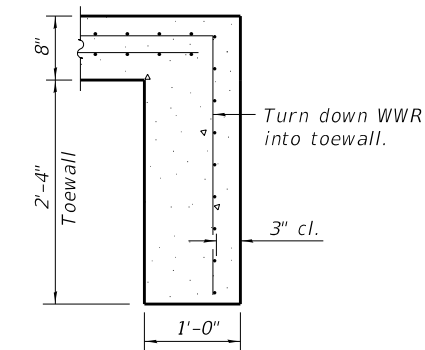
SECTION B-B
(Bottom slab)



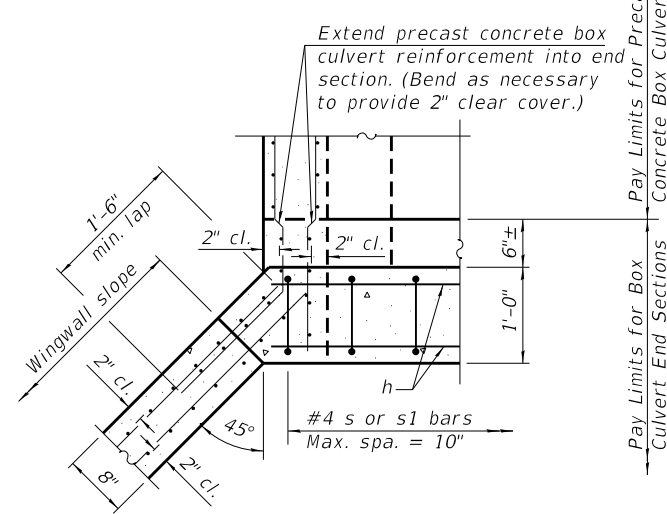
SECTION C-C



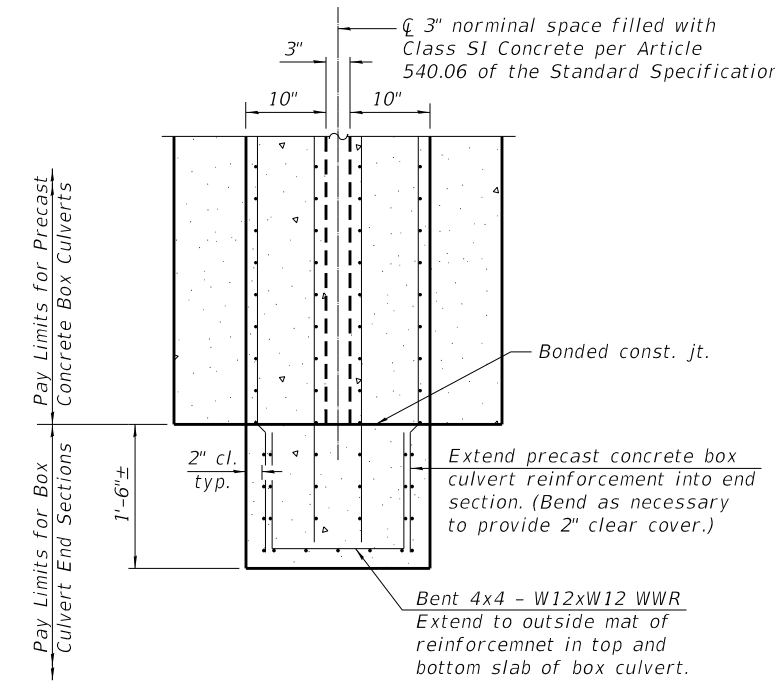
SECTION D-D



ALT. SECTION D-D



SECTION E-E



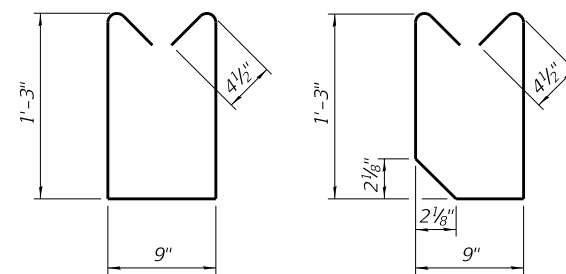
SECTION F-F

TOEWALL CONSTRUCTION SEQUENCE

1. Perform excavation and construct toewall.
2. Backfill accordingly and prepare bedding for box culvert end sections.
3. Construct remainder of box culvert end section.

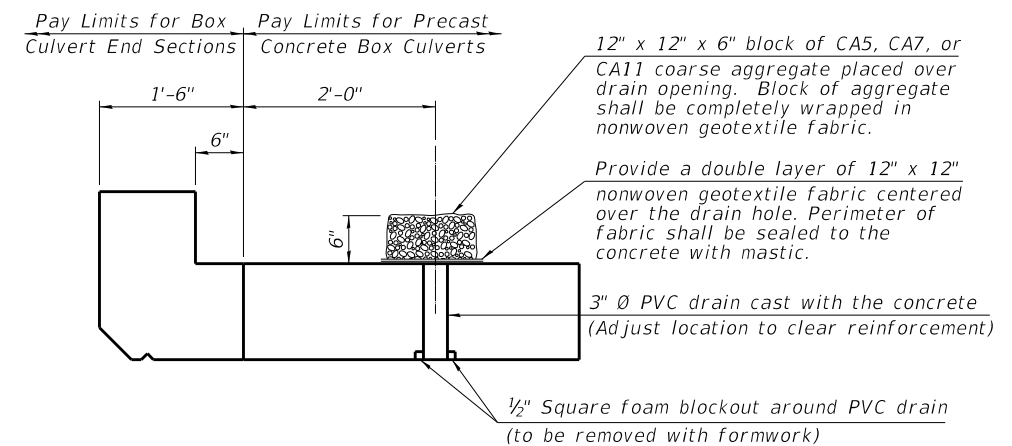
Note:

If soil conditions permit, the toewall may be poured monolithically with the bottom slab of the end section using Alt. Section D-D subject to approval from the Engineer.



BAR s

BAR s1



DRAIN DETAIL

(All costs associated with furnishing and constructing the above drain detail will not be measured for payment but shall be included in the contract unit price for the associated work.)

MODEL: Default
FILE NAME: P:\2019\1901511A - East College Street Bridge\4_CADD - DWG\4.4_Struct\0396105-001.dgn
7/25/2023 12:39:53 PM



USER NAME =	mlamb
PLOT SCALE =	0:2,0000 "/in.
PLOT DATE =	7/25/2023

DESIGNED -	MAL
CHECKED -	BWP
DRAWN -	MAL
CHECKED -	BWP

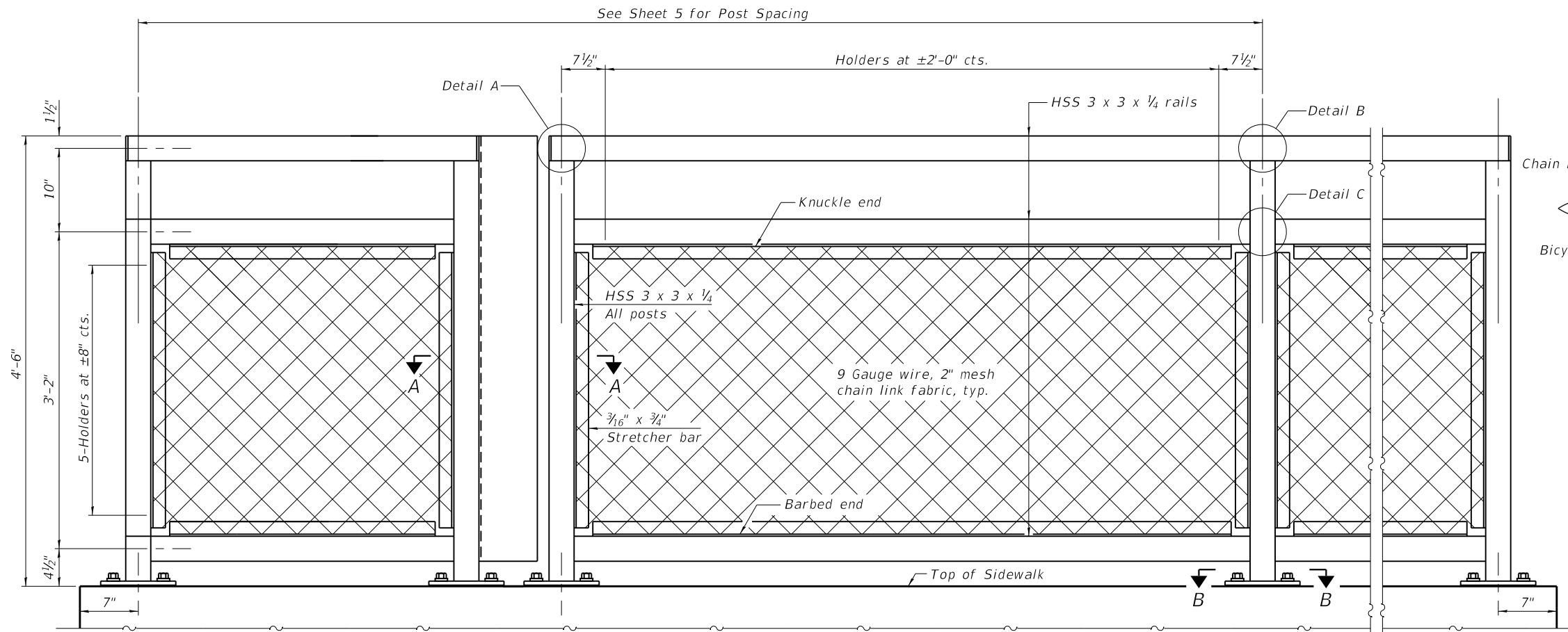
REVISED -	
REVISED -	
REVISED -	
REVISED -	



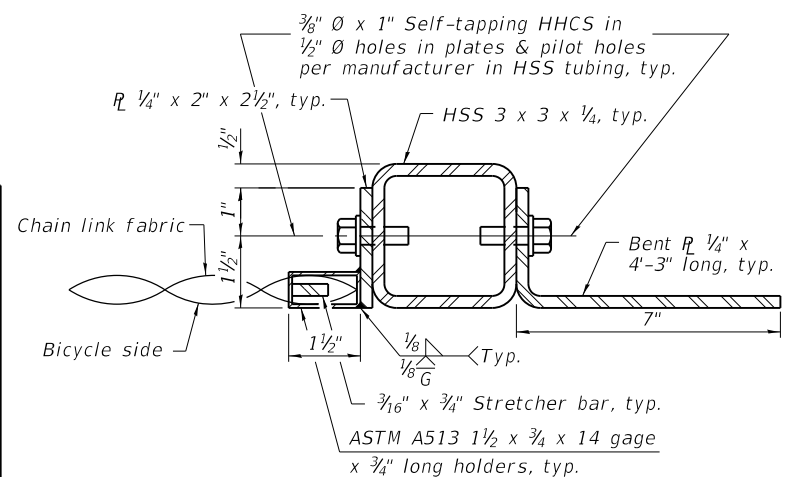
CITY OF CARBONDALE

MULTI-CELL PRECAST CONCRETE BOX CULVERT APRON END SECTION DETAILS - STRUCTURE NO. 039-6015	
SHEET NO. 3 OF 6 SHEETS	

MUN. ST.	SECTION	COUNTY	TOTAL SHEETS	SHEET NO.
1730	19-00141-00-BR	JACKSON	24	19
CONTRACT NO. 99713				
ILLINOIS FED. AID PROJECT				

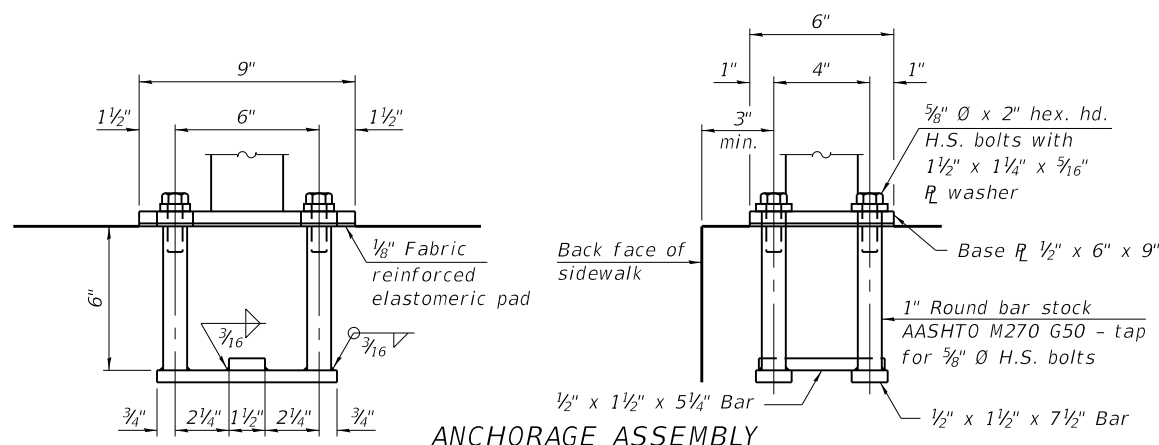


ELEVATION BICYCLE RAILING
(Inside face)



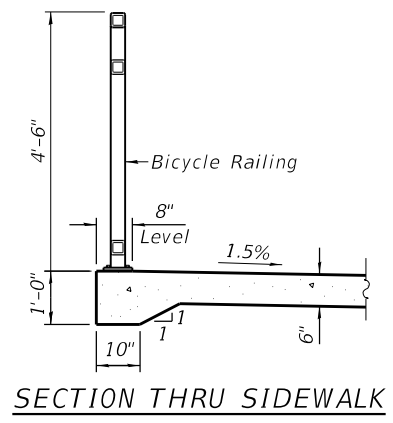
SECTION A-A

Notes:
 Place reinforcement bars to miss anchor rod locations.
 CVN testing is not required for the HSS tubing used in the Bicycle Railing.
 All heavy hex nuts shall be according to ASTM A 563 grade DH.
 All fully threaded anchor rods shall be ASTM F1554 grade 105.
 The post base plate shall be fastened to the curb snug tight and given an additional 1/8" turn.
 All steel rail elements shall be galvanized according to Article 509.05 of the Standard Specifications.

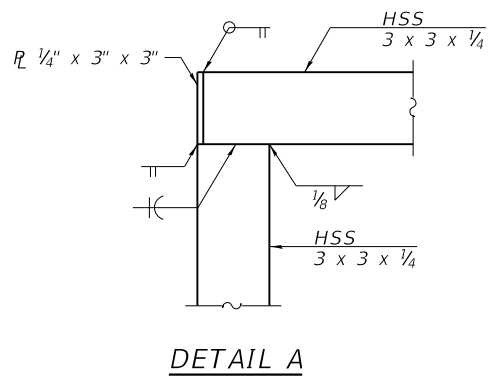


ANCHORAGE ASSEMBLY

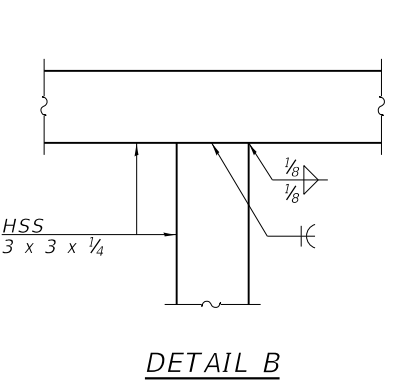
The Bicycle Railing fasteners for end posts near expansion joints may need to be installed prior to installing the bent plates.
 In lieu of the cast-in-place anchor device shown, the Contractor has the option of drilling and setting 5/8" diameter fully threaded anchor rods with the same plate washers as specified above and heavy hex lock nuts according to Article 509.06 of the Standard Specifications. Embedment shall be according to the manufacturer's specifications.



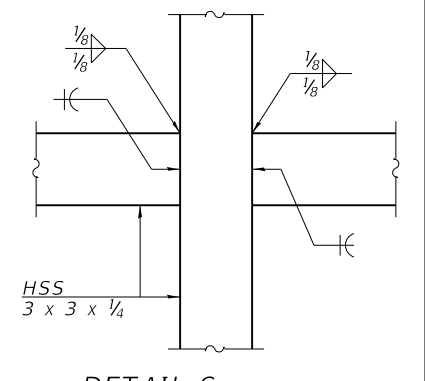
SECTION THRU SIDEWALK



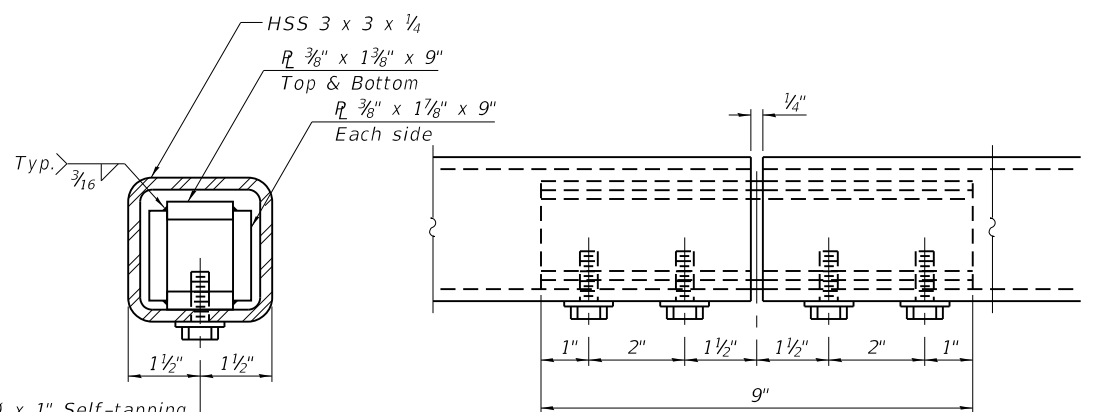
DETAIL A



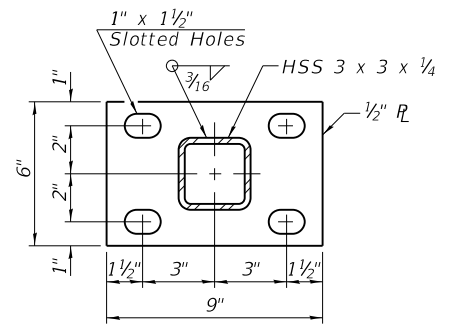
DETAIL B



DETAIL C



MATERIAL SPLICE



SECTION B-B

BILL OF MATERIAL

Item	Unit	Quantity
Bicycle Railing	Foot	99

MODEL: Default
 FILE NAME: P:\2019\1901511A - East College Street Bridge\4 - CADD - DWG\4-4 Struct\0396105-001.dgn
 7/25/2023 12:40:13 PM



USER NAME = mlamb
 DESIGNED - MAL
 CHECKED - BWP
 PLOT SCALE = 0:2.0000" = 1" in.
 DRAWN - MAL
 PLOT DATE = 7/25/2023
 CHECKED - BWP
 REVISED -



CITY OF CARBONDALE

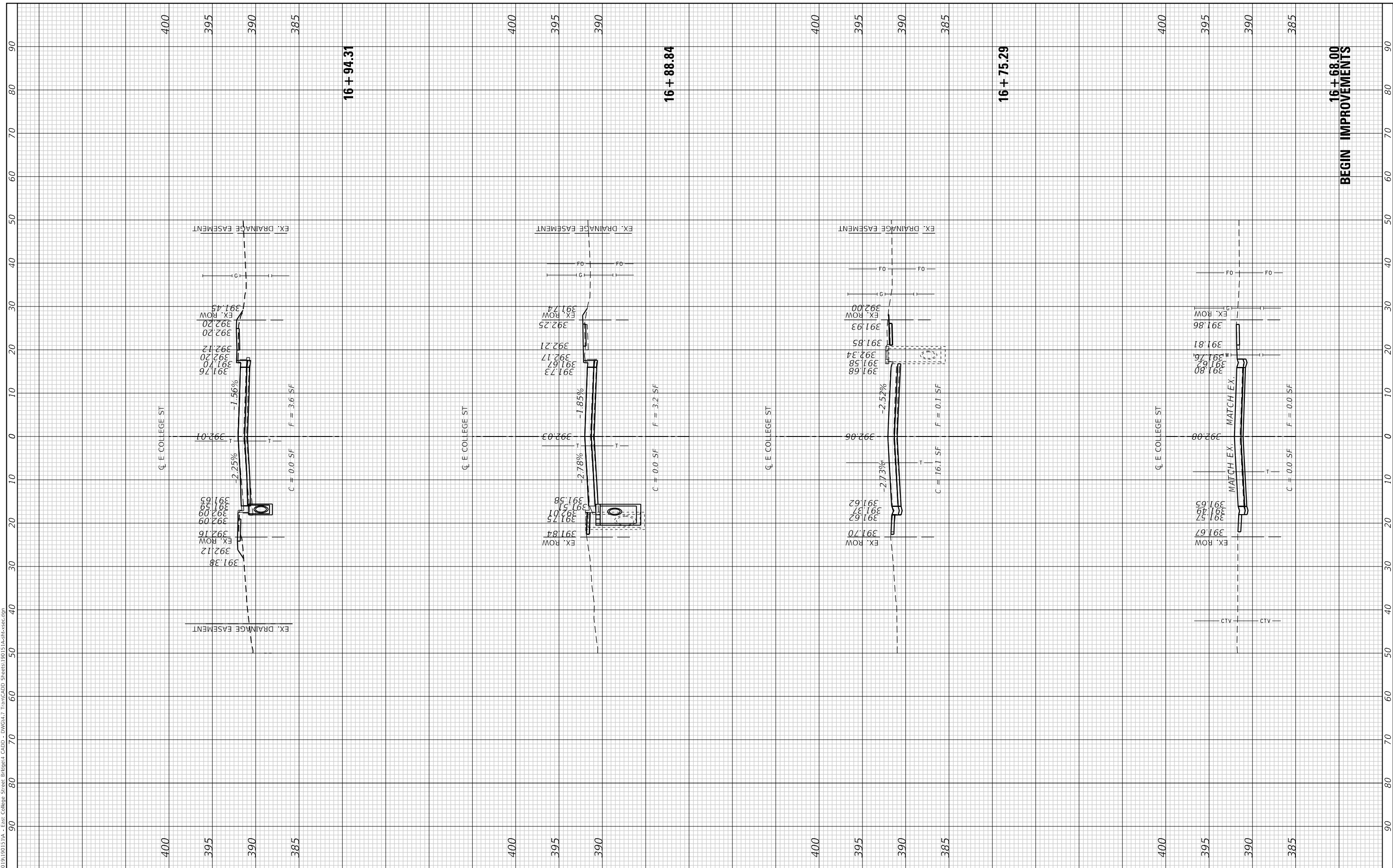
BICYCLE RAILING
STRUCTURE NO. 039-6015
 SHEET NO. 4 OF 6 SHEETS

MUN. ST.	SECTION	COUNTY	TOTAL SHEETS	SHEET NO.
1730	19-00141-00-BR	JACKSON	24	20
CONTRACT NO. 99713				
ILLINOIS FED. AID PROJECT				

FINAL SURVEY NO.	SURVEYED	BY	DATE
NOTE BOOK	PLOTTED		
AREAS CHECKED	TEMPLATE		
	AREAS CHECKED		

ORIGINAL SURVEY NO.	SURVEYED	BY	DATE
NOTE BOOK	PLOTTED		
AREAS CHECKED	TEMPLATE		
	AREAS CHECKED		

MODEL: Defnair
 FILE NAME: P:\2020\1910151A - East College Street.dwg
 SHEET: 19-00141-00-BR



TWM, INC.
 www.twm-inc.com

IL DESIGN FIRM
 LICENSE NO:
 184-001220

USER NAME = bbillhartz
 DESIGNED - BAB
 DRAWN - BAB
 CHECKED - JWS
 DATE - JULY 2023

REVISED -
 REVISED -
 REVISED -
 REVISED -



CITY OF CARBONDALE

**CROSS SECTIONS
 EAST COLLEGE STREET**

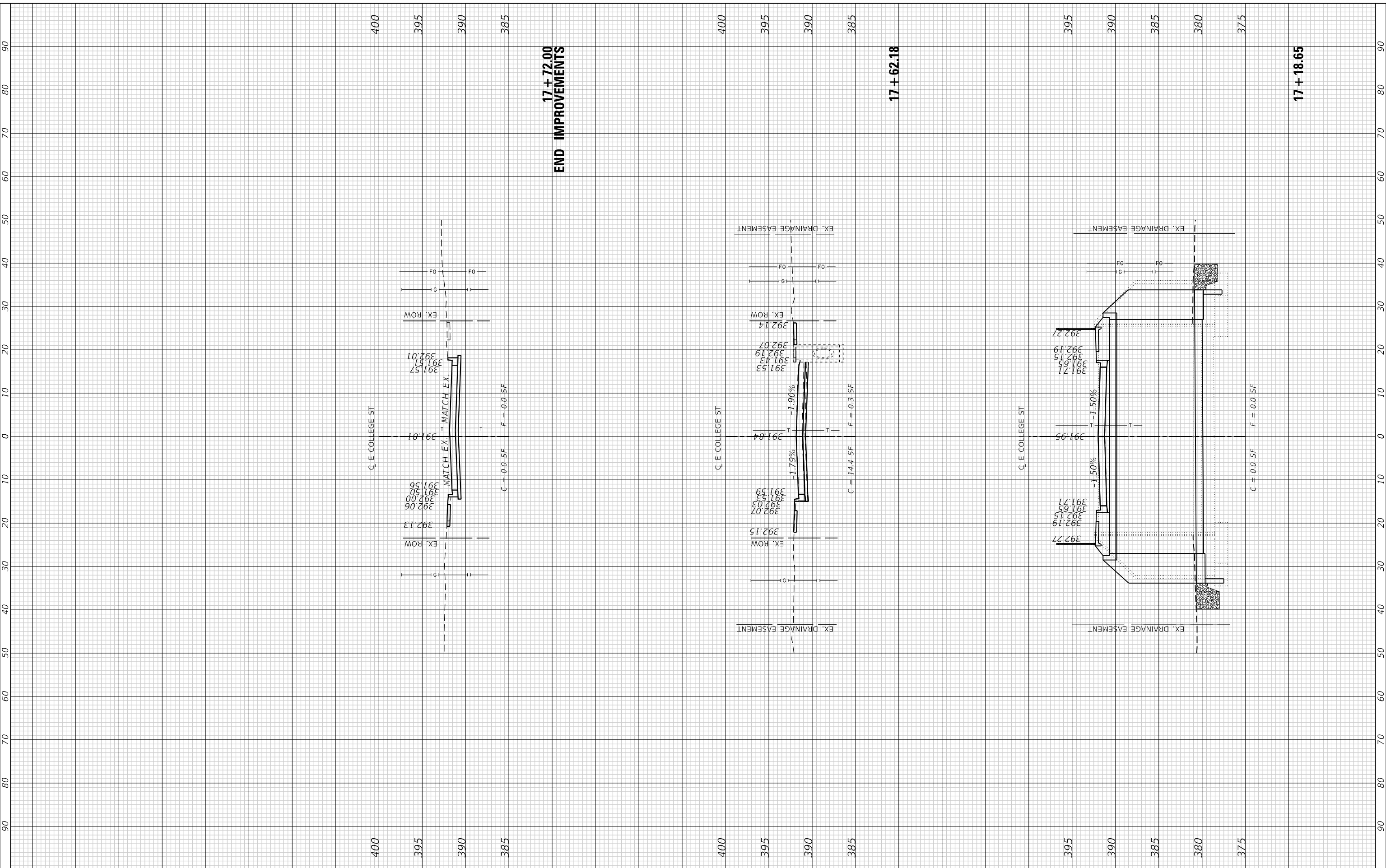
MUN. RTE.	SECTION	COUNTY	TOTAL SHEETS	SHEET NO.
1730	19-00141-00-BR	JACKSON	24	23
CONTRACT NO. 99713				
ILLINOIS FED. AID PROJECT				

SCALE: 1"=10' SHEET 1 OF 2 SHEETS STA. 16+68.00 TO STA. 16+88.84

FINAL SURVEY NO.	SURVEYED PLOTTED AREAS CHECKED	BY	DATE
NOTE BOOK	TEMPLATE		
	AREAS CHECKED		

ORIGINAL SURVEY NO.	SURVEYED PLOTTED AREAS CHECKED	BY	DATE
NOTE BOOK	TEMPLATE		
	AREAS CHECKED		

MODEL: Defnair
 FILE NAME: P:\2019\190151A - East College Street.dwg
 SHEET: 19-00141-00-BR



USER NAME =	bbillhartz
PLOT SCALE =	20.0000 ' / in.
PLOT DATE =	7/26/2023

DESIGNED -	BAB
DRAWN -	BAB
CHECKED -	JWS
DATE -	JULY 2023

REVISED -	
REVISED -	
REVISED -	
REVISED -	



CITY OF CARBONDALE

CROSS SECTIONS
 EAST COLLEGE STREET

SCALE: 1"=10' SHEET 2 OF 2 SHEETS STA. 17+00.90 TO STA. 17+62.18

MUN. RTE.	SECTION	COUNTY	TOTAL SHEETS	SHEET NO.
1730	19-00141-00-BR	JACKSON	24	24
CONTRACT NO. 99713				
ILLINOIS FED. AID PROJECT				