

LEGEND

- IMPACT ATTENUATORS, TEMPORARY (FULLY REDIRECTIVE, NARROW), TEST LEVEL 2
- TEMPORARY CONCRETE BARRIER
- • • BARRICADE, DRUM OR DIRECTION INDICATOR BARRICADE
- ⊥ SIGN
- ⌈ TYPE III BARRICADE
- ↓ FLASHING ARROW BOARD
- ▨ WORK AREA
- ▩ TEMPORARY PAVEMENT, 10"

PRE-STAGE:

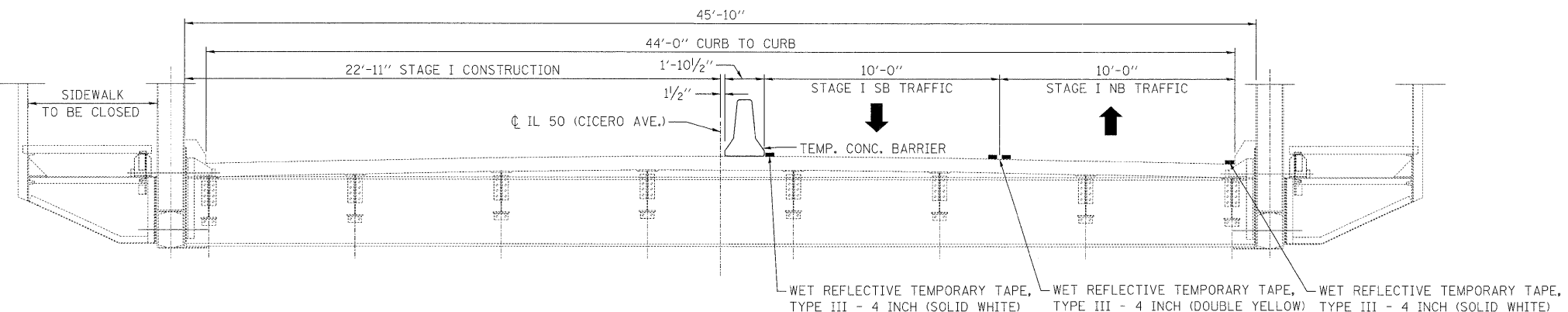
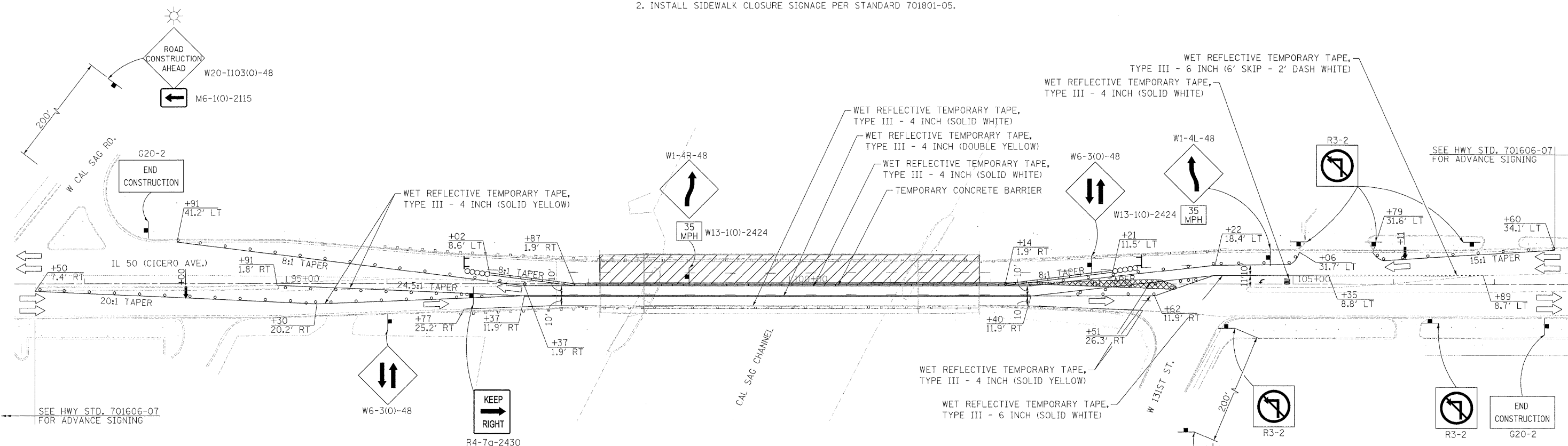
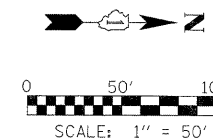
1. REMOVE EXISTING CORRUGATED MEDIAN FROM STA. 102+46 TO STA. 103+85 AND PLACE TEMPORARY PAVEMENT IN ACCORDANCE WITH HIGHWAY STANDARD 701606-07.

STAGE 1:

1. REMOVE CONFLICTING EXISTING PAVEMENT MARKINGS AND RAISED REFLECTIVE PAVEMENT MARKERS.
2. CLOSE WEST HALF OF IL 50 (CICERO AVE.) IN ACCORDANCE WITH HIGHWAY STANDARD 701606-07 AND AS SHOWN IN PLANS. DRIVEWAY ENTRANCES TO BE MAINTAINED AT ALL TIMES.
3. PERFORM STRUCTURAL REPAIRS AS SHOWN IN THE PLANS.

NOTES:

1. ACCESS TO DRIVEWAYS SHOULD BE MAINTAINED AT ALL TIMES.
2. INSTALL SIDEWALK CLOSURE SIGNAGE PER STANDARD 701801-05.



STAGE I CONSTRUCTION
(LOOKING NORTH)



USER NAME = Plotted by flm	DESIGNED - SEW	REVISED -
PLOT SCALE = 50.0000' / IN.	DRAWN - SEW	REVISED -
PLOT DATE = 9/9/2011	CHECKED - ST	REVISED -
	DATE - 9/2/11	REVISED -

**STATE OF ILLINOIS
DEPARTMENT OF TRANSPORTATION**

**MAINTENANCE OF TRAFFIC PLAN - STAGE I
IL 50 (CICERO AVE.) OVER CAL SAG CHANNEL**

SCALE: 1" = 50' SHEET NO. 1 OF 1 SHEETS STA. 92+30 TO STA. 107+78

F.A.P. RTE.	SECTION	COUNTY	TOTAL SHEETS	SHEET NO.
350	3068 A-B-R-1	COOK	57	8
JOB NO. D-91-428-11		CONTRACT NO. 60N88		
FED. ROAD DIST. NO. 1 ILLINOIS FED. AID PROJECT				