

**LEGEND**

- IMPACT ATTENUATORS, TEMPORARY (FULLY REDIRECTIVE, NARROW), TEST LEVEL 2
- ▬▬▬▬▬ TEMPORARY CONCRETE BARRIER
- ○ ○ BARRICADE, DRUM OR DIRECTION INDICATOR BARRICADE
- ⚡ SIGN
- ⚡ TYPE III BARRICADE
- ⚡ FLASHING ARROW BOARD
- ▨ WORK AREA
- ▩ TEMPORARY PAVEMENT, 10'

**STAGE 2:**

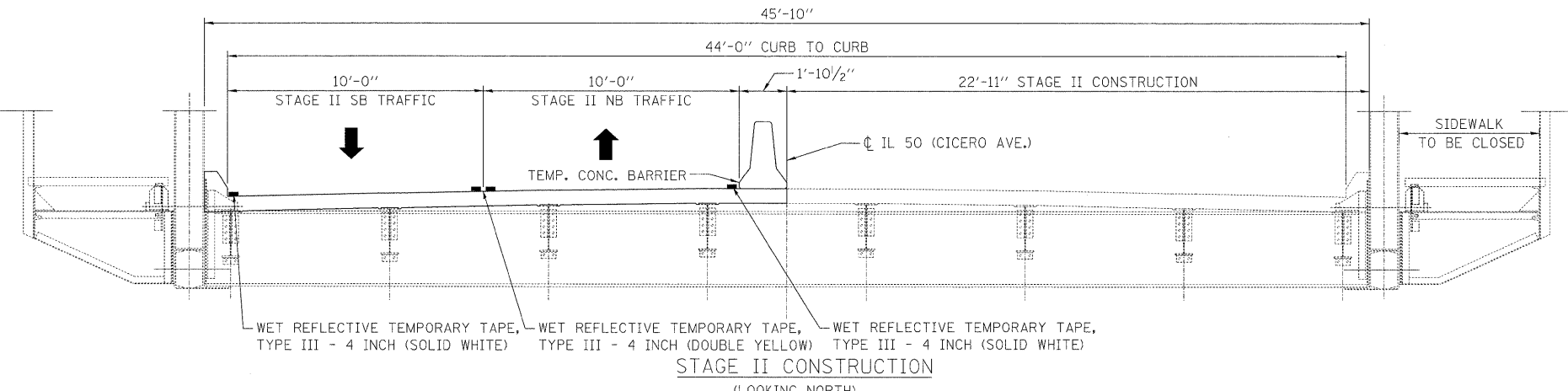
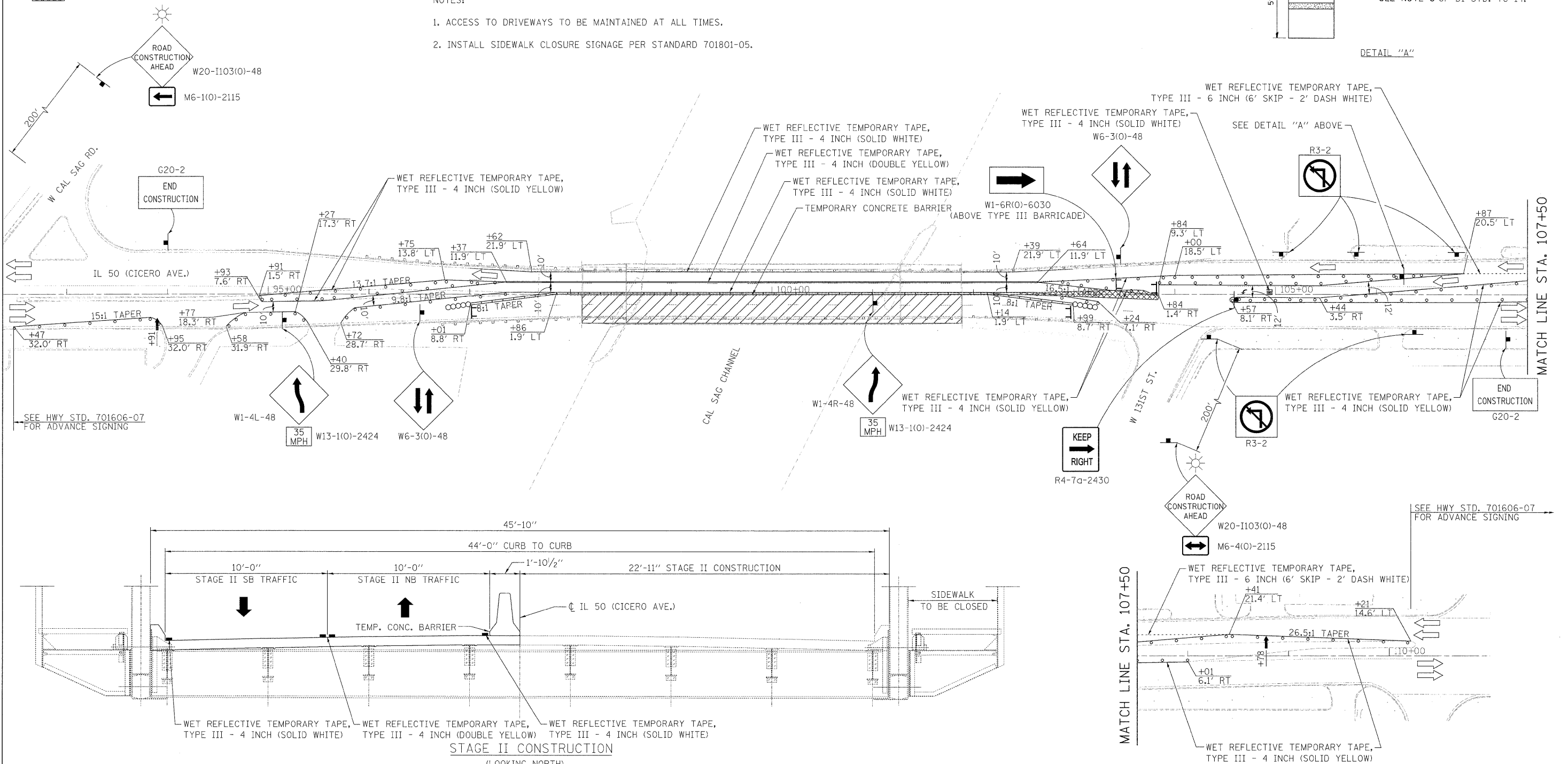
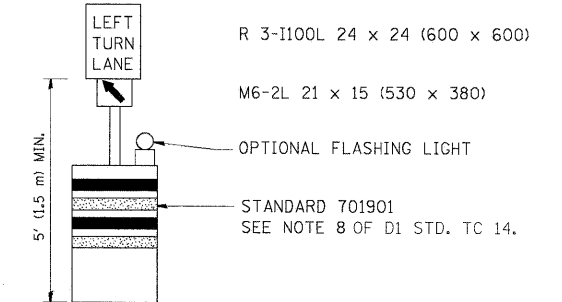
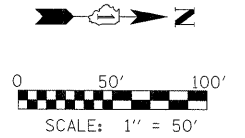
1. REMOVE CONFLICTING EXISTING PAVEMENT MARKINGS AND RAISED REFLECTIVE PAVEMENT MARKERS.
2. CLOSE EAST HALF OF IL 50 (CICERO AVE.) IN ACCORDANCE WITH HIGHWAY STANDARD 701606-07 AND AS SHOWN IN PLANS. DRIVEWAY ENTRANCES TO BE MAINTAINED AT ALL TIMES.
3. PERFORM STRUCTURAL REPAIRS AS SHOWN IN THE PLANS.

**STAGE 3:**

1. REMOVE TEMPORARY PAVEMENT PLACED IN STAGE I AND REPLACE WITH CORRUGATED MEDIAN IN ACCORDANCE WITH HIGHWAY STANDARD 701606-07.
2. PLACE PROPOSED PAVEMENT MARKINGS AND RAISED REFLECTIVE PAVEMENT MARKERS UNDER HIGHWAY STANDARD 701427 IN ACCORDANCE WITH DISTRICT 1 STANDARD TC 11, TC 13 AND AS SHOWN IN THE PLANS.

**NOTES:**

1. ACCESS TO DRIVEWAYS TO BE MAINTAINED AT ALL TIMES.
2. INSTALL SIDEWALK CLOSURE SIGNAGE PER STANDARD 701801-05.



**LIN ENGINEERING, LTD.**  
Consulting Engineers  
Chatham, Illinois

USER NAME = Plotted by flin	DESIGNED - SEW	REVISED -
PLOT SCALE = 50.0000' / IN.	DRAWN - SEW	REVISED -
PLOT DATE = 9/9/2011	CHECKED - ST	REVISED -
	DATE - 9/2/11	REVISED -

**STATE OF ILLINOIS  
DEPARTMENT OF TRANSPORTATION**

**MAINTENANCE OF TRAFFIC PLAN - STAGE II  
IL 50 (CICERO AVE.) OVER CAL SAG CHANNEL**

SCALE: 1" = 50'    SHEET NO. 1 OF 1 SHEETS    STA. 92+40 TO STA. 111+00

F.A.P. RTE. 350	SECTION 3068 A-B-R-1	COUNTY COOK	TOTAL SHEETS 57	SHEET NO. 9
JOB NO. D-91-428-11		CONTRACT NO. 60N88		
FED. ROAD DIST. NO. 1 ILLINOIS FED. AID PROJECT				