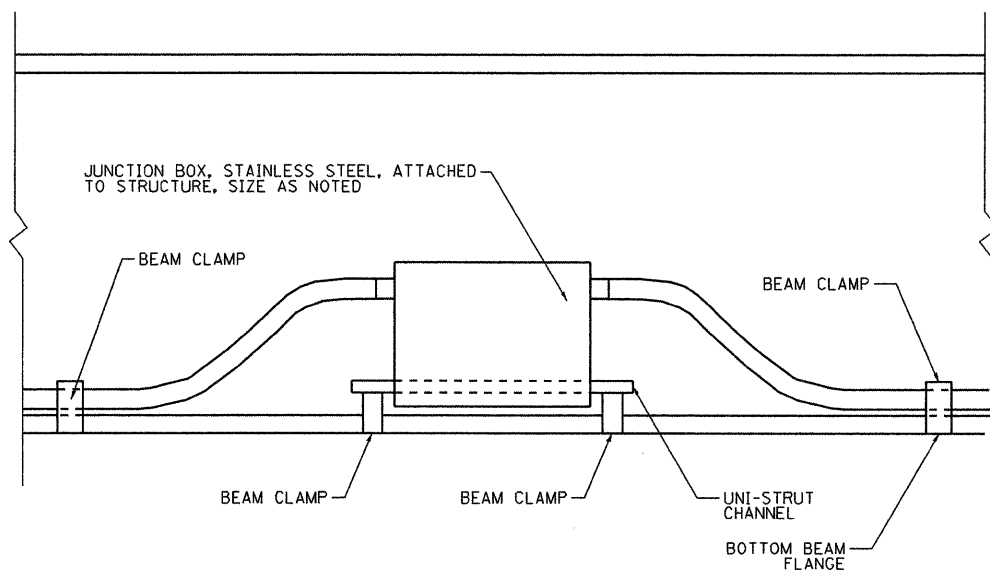
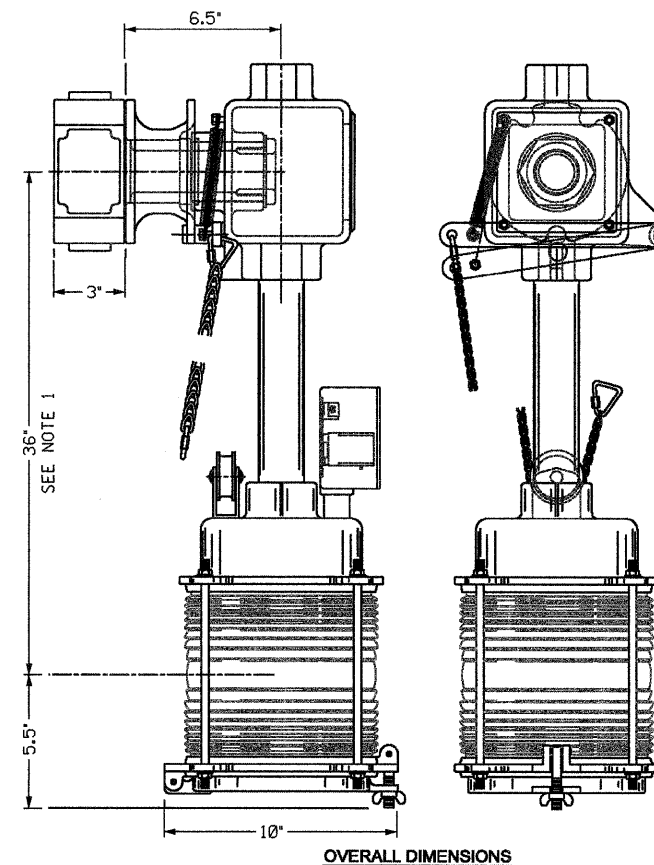
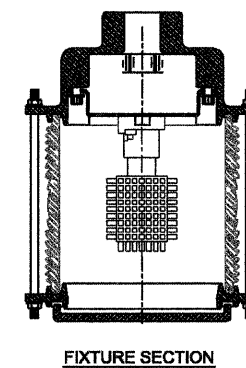
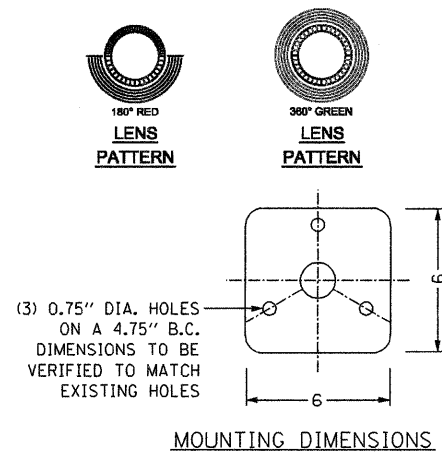


TEMPORARY AERIAL CONNECTION  
TO EXISTING LIGHT POLE



JUNCTION BOX MOUNTING DETAIL  
ELEVATION VIEW  
(NOT TO SCALE)

WATERWAY OBSTRUCTION WARNING LUMINAIRE, LED

NOTES:  
CONTRACTOR SHALL VERIFY ARM LENGTH IN FIELD.  
ENTIRE LENS SHALL BE LOCATED BELOW THE LOW STEEL POINT, ALLOWING THE NAVIGATION LIGHT TO BE VISIBLE FROM BOTH CHANNEL APPROACHES.

NEW LUMINAIRES MAY NOT EXTEND LOWER THAN THE EXISTING LUMINAIRES.

\\svr-2022-public\pc-01\00003398\_000\design\Lighting\Details\016-0421\_11gh\tda-02\_Dist.dwg, Rev. Light.dgn

<p><b>Clorba Group, Inc.</b> CONSULTING ENGINEERS 6407 North Cumberland Avenue, Suite 402 Chicago, Illinois 60656 Tel: 773.775.4000 Fax: 773.775.4914 Email: cgr@clorba.com</p>	ENGINEERING CONSULTANT	USER NAME = wlancoaster	DESIGNED - JMV	REVISED - 10/5/2011	<p align="center"><b>STATE OF ILLINOIS</b> <b>DEPARTMENT OF TRANSPORTATION</b></p>	<p align="center"><b>ILL. 50 OVER THE CAL SAG CHANNEL</b> <b>STRUCTURE NO. 016-0421</b> <b>NAVIGATION AND ROADWAY LIGHTING DETAILS</b></p>	F.A.P. RTE.	SECTION	COUNTY	TOTAL SHEETS	SHEET NO.
	PLOT SCALE = 2.0000' / 1" IN.	DRAWN - JMK	REVISED - ADDENDUM #1	350			3068 A-B-R-1	COOK	57	17	
	PLOT DATE = 10/5/2011	CHECKED - JMV	REVISED -	CONTRACT NO. 60N88							
					SCALE: 1" = 20'		SHEET NO. OF SHEETS		STA. TO STA.		ILLINOIS FED. AID PROJECT