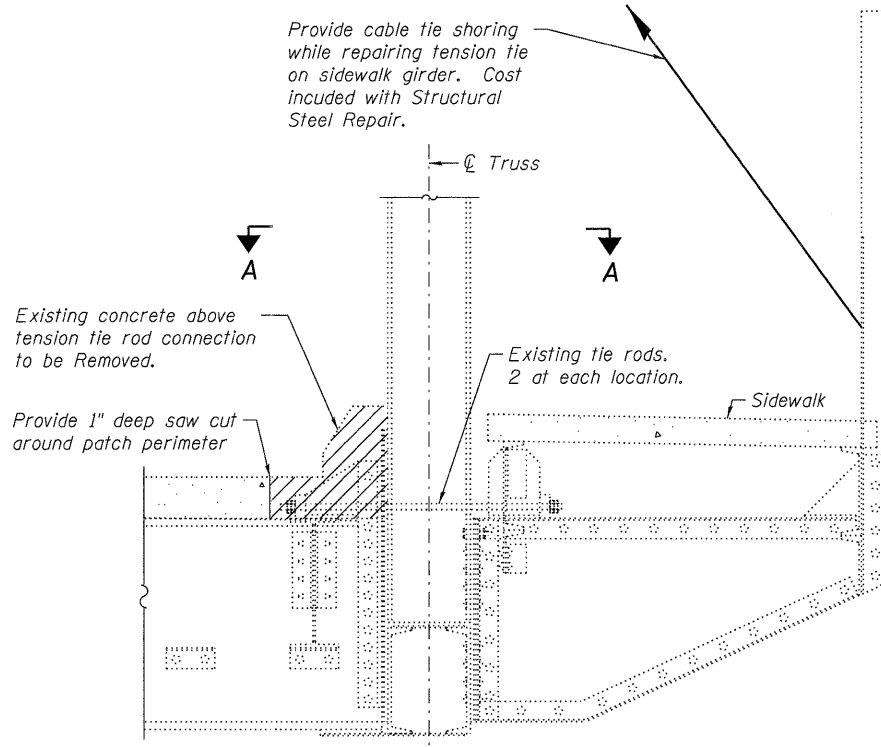
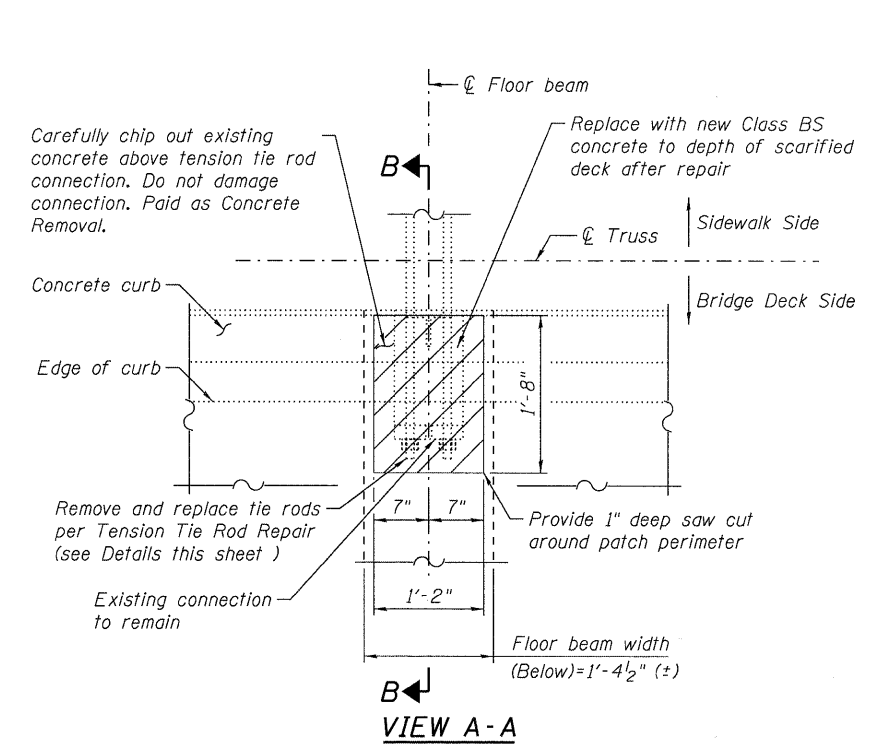


**VIEW B-B
EXISTING CONDITIONS**

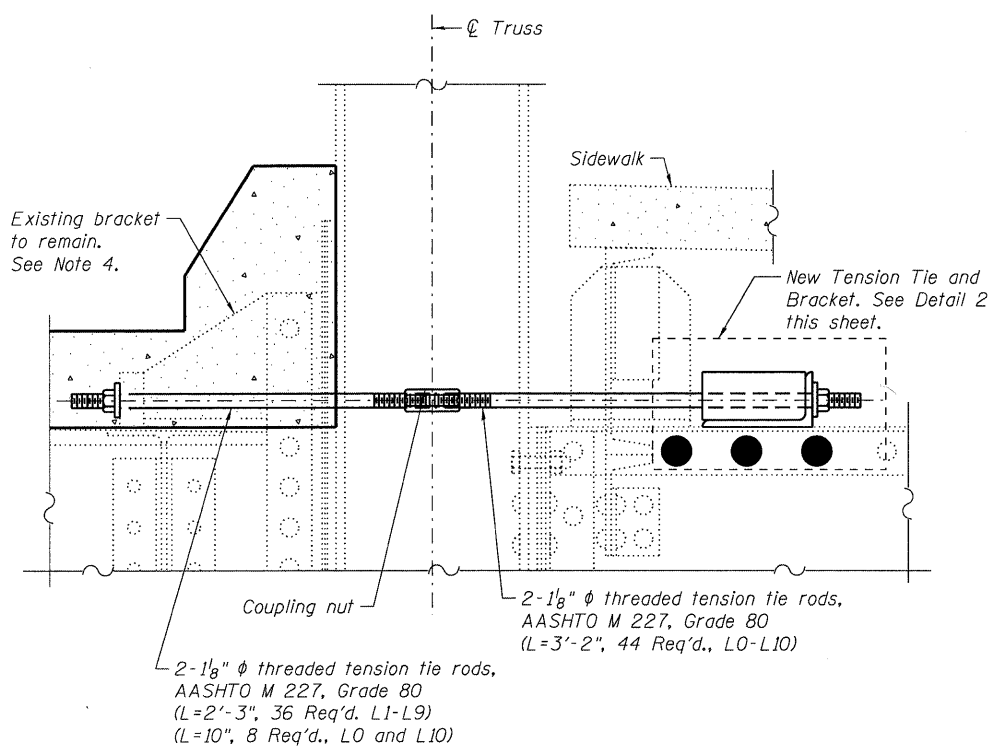
Note:
Sandblast clean and prime paint repaired surfaces prior to installing new repairs.



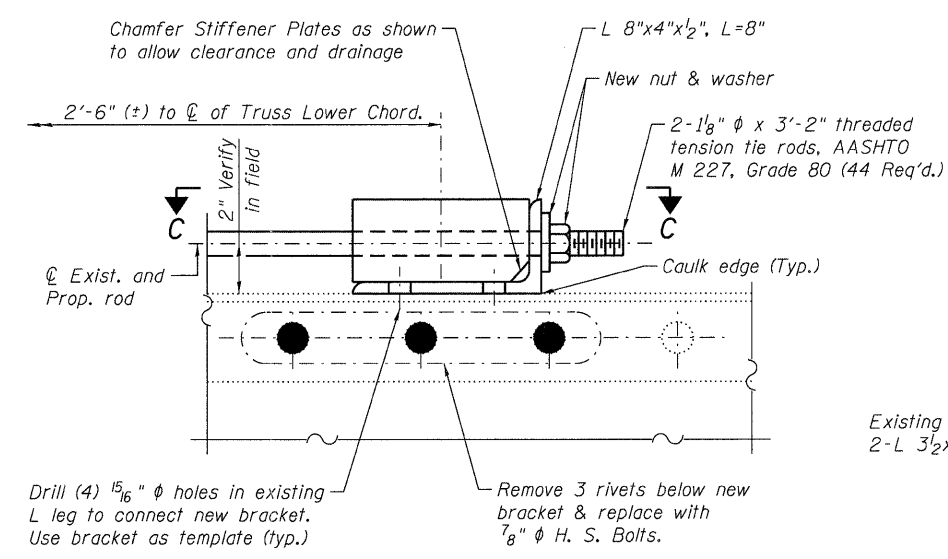
**DETAIL 1
EXISTING SIDEWALK BRACKET**



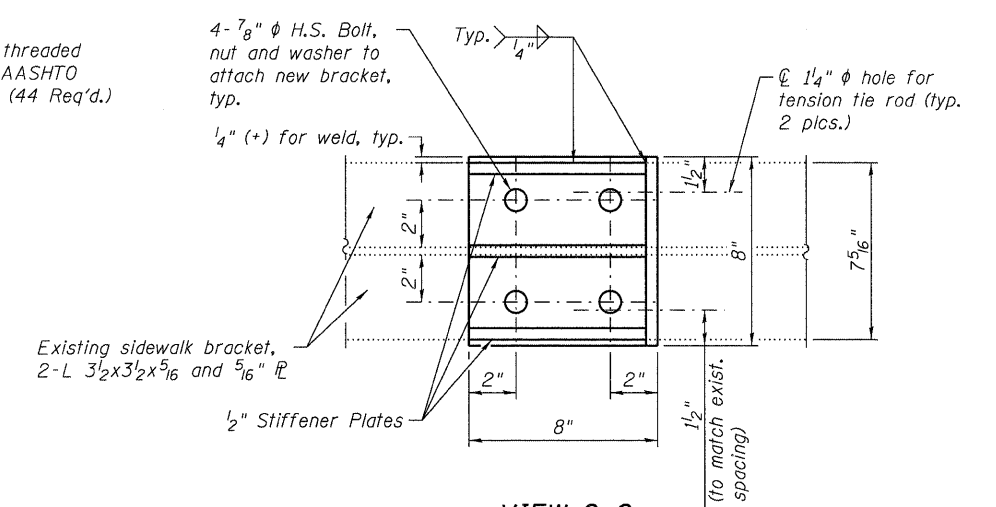
**VIEW A-A
LIMITS OF CONCRETE REMOVAL
(For Tension Tie Rod repair)**



**VIEW B-B
PROPOSED CONDITION
At L0-L10 East and West**



**DETAIL 2
TENSION TIE AND BRACKET
(Sidewalk Side)**



**VIEW C-C
TENSION TIE BRACKET DETAIL**

NOTES:

- All dimensions shall be verified in the field before ordering materials.
- All rivet removal shall follow Structural Steel Repair Special Provision.
- Cost of materials, drilling holes, and removing rivets to make structural steel repairs are included in the cost of Structural Steel Repair.
- The Engineer will inspect the existing bracket after concrete removal. The existing bracket shall be replaced in-kind if the Engineer deems that there is significant deterioration. This work shall be paid for as Structural Steel Repair.

BILL OF MATERIAL

ITEM	UNIT	QUANTITY
Concrete Superstructure	Cu. Yd.	L4

No. PROJ\03398.00\Design\Structure\03398.00_16 Steel Repairs VII.dgn
 Clorba Group, Inc.
 CONSULTING ENGINEERS
 6807 North Cumberland Avenue
 Suite 200 Chicago, Illinois 60658
 Tel. 773.776.4500
 Fax 773.776.4514
 Email: clorba@clorba.com

USER NAME = ekhan	DESIGNED - AMK	REVISED -
PLOT SCALE = 1/8" = 1'-0"	CHECKED - DL	REVISED -
PLOT DATE = 9/9/2011	DRAWN - LVH	REVISED -
	CHECKED - BWS	REVISED -

**STATE OF ILLINOIS
DEPARTMENT OF TRANSPORTATION**

**STEEL REPAIRS VII
STRUCTURE NO. 016-0421**
SHEET NO. S-16 OF S-27 SHEETS

F.A.P. RTE. 350	SECTION 3068 A-B-R-1	COUNTY COOK	TOTAL SHEETS 57	SHEET NO. 39
			CONTRACT NO. 60N88	
ILLINOIS FED. AID PROJECT				