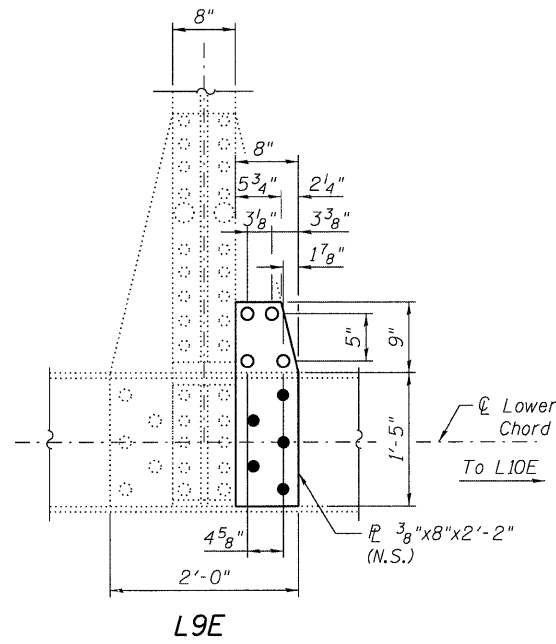
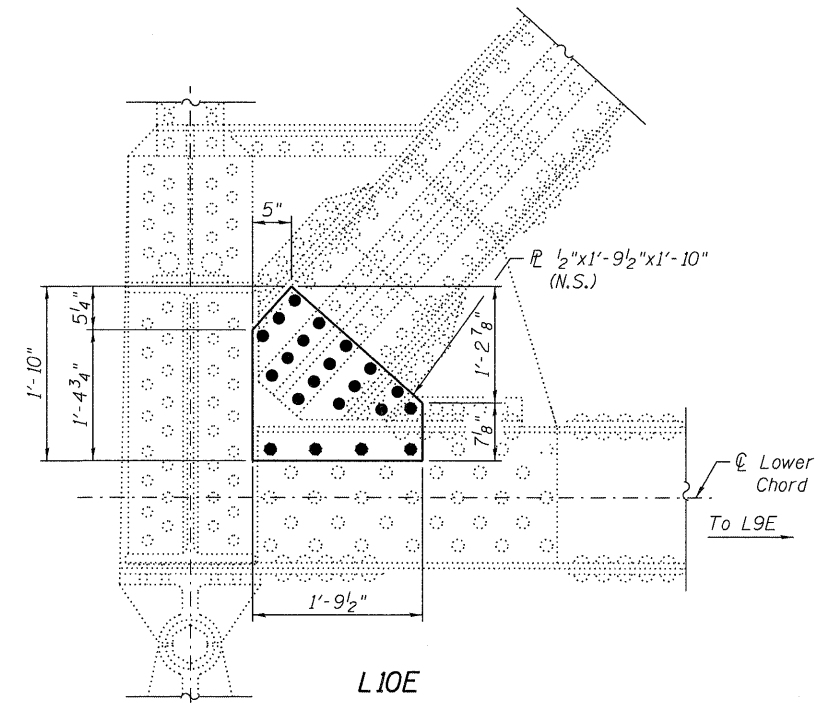


**WEST GUSSET P ELEVATION - PROPOSED  
AT JOINT L5E  
EAST TRUSS  
(Looking East)**

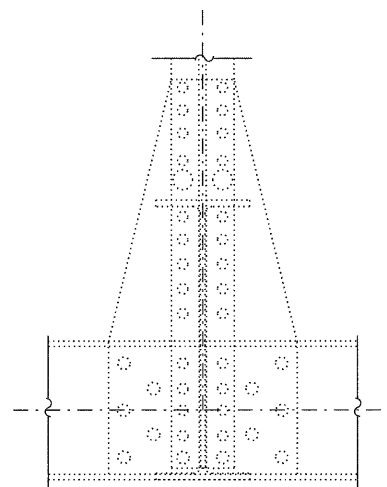


**WEST GUSSET P ELEVATION - PROPOSED  
AT JOINT L9E  
EAST TRUSS  
(Looking East)**

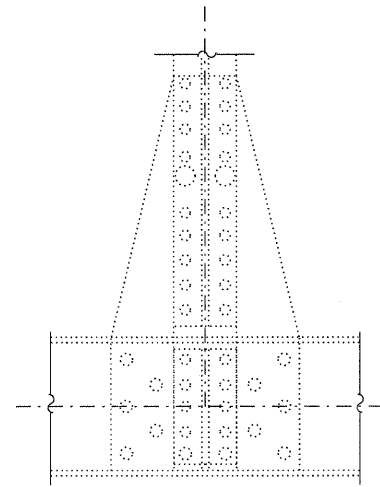


**EAST GUSSET P ELEVATION - PROPOSED  
AT JOINT L10E  
EAST TRUSS  
(Looking West)**

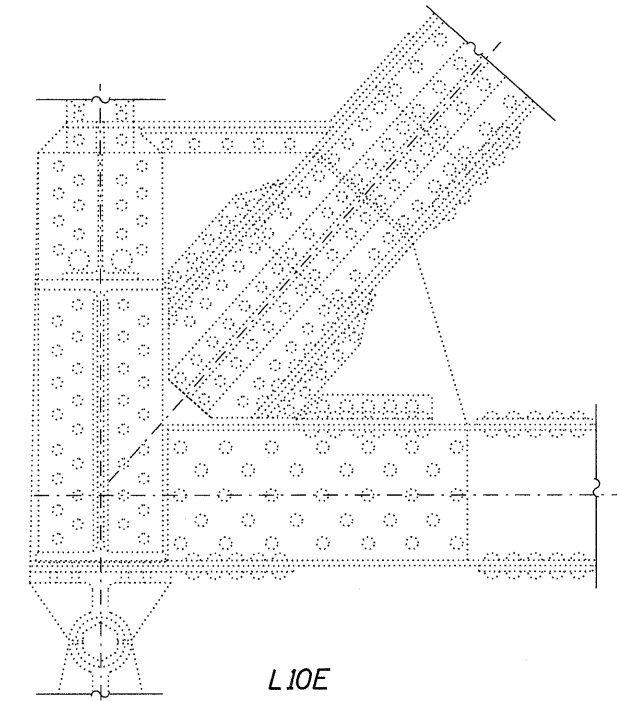
Note:  
For Repair Notes and Legend see Sheet S-17.



**WEST GUSSET P ELEVATION - EXISTING  
AT JOINT L5E  
EAST TRUSS  
(Looking East)**



**WEST GUSSET P ELEVATION - EXISTING  
AT JOINT L9E  
EAST TRUSS  
(Looking East)**



**EAST GUSSET P ELEVATION - EXISTING  
AT JOINT L10E  
EAST TRUSS  
(Looking West)**

N:\PROJ\03398.00\Design\Structure\1\CAD\03398.00\_18\_Steel Repairs\_1X.dgn



USER NAME = akhan	DESIGNED - DL	REVISED -
	CHECKED - BWS	REVISED -
PLOT SCALE = 1.000000' / 1"	DRAWN - RD	REVISED -
PLOT DATE = 9/9/2011	CHECKED - BWS	REVISED -

**STATE OF ILLINOIS  
DEPARTMENT OF TRANSPORTATION**

**STEEL REPAIRS IX  
STRUCTURE NO. 016-0421  
SHEET NO. S-18 OF S-27 SHEETS**

F.A.P. RTE.	SECTION	COUNTY	TOTAL SHEETS	SHEET NO.
350	3068 A-B-R-1	COOK	57	41
CONTRACT NO. 60N88			ILLINOIS FED. AID PROJECT	