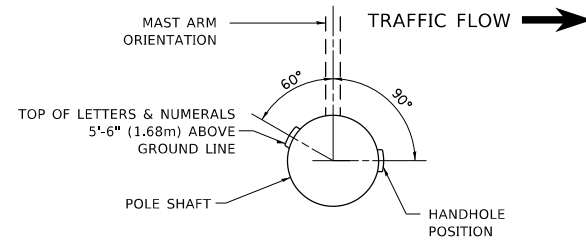
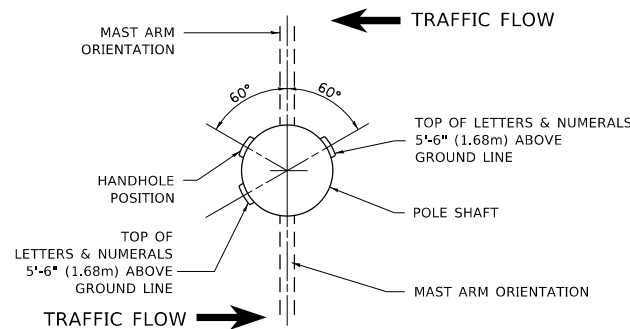


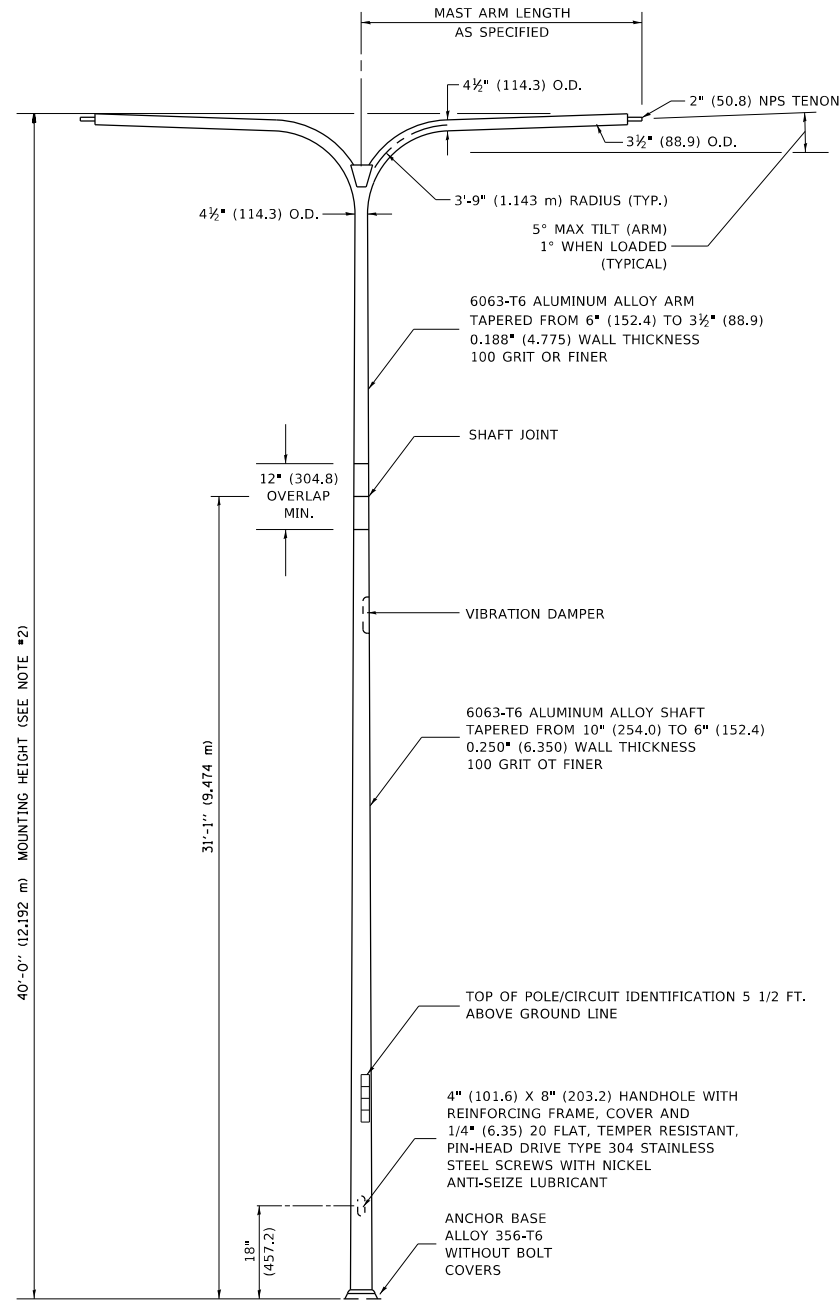
**POSITION OF HANDHOLE AND POLE NUMBER FOR SINGLE MAST ARM POLES MOUNTED ON BRIDGE PARAPET OR BARRIER WALL**



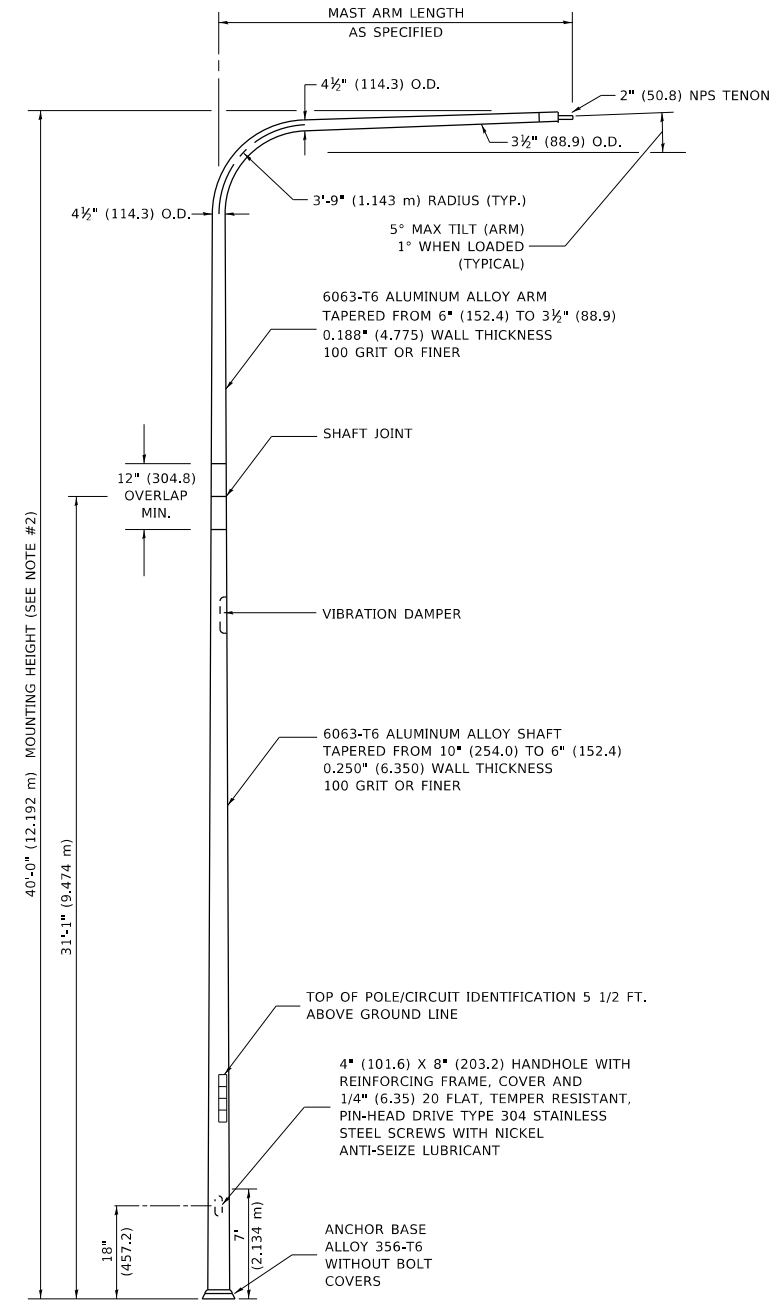
**POSITION OF HANDHOLE AND POLE NUMBER FOR SINGLE MAST ARM POLES**



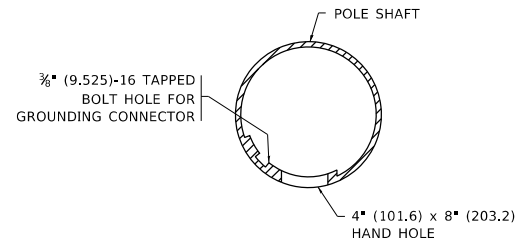
**POSITION OF HANDHOLE AND POLE NUMBER FOR TWIN MAST ARM POLES**



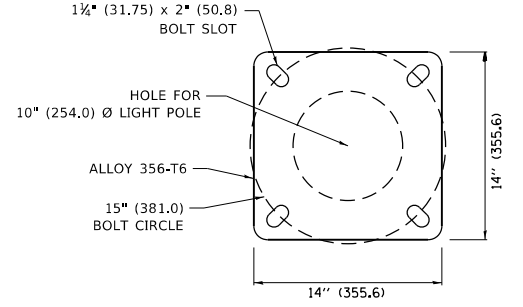
**TWIN ARM POLE**



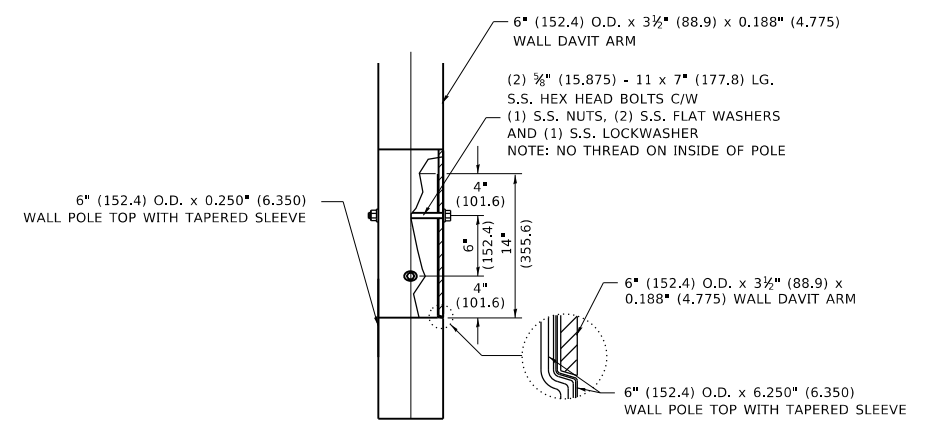
**SINGLE ARM POLE**



**HANDHOLE DETAIL (N.T.S.)**



**LIGHT POLE BASE PLATE DETAIL (FOR POLE MOUNTED ON 15 INCH (381.0) BOLT CIRCLE FOUNDATION)**



**DAVIT ARM CONNECTION [14" (355.6) OVERLAP SHOWN]**

- NOTES**
1. ALL DIMENSIONS ARE IN INCHES (MILLIMETERS) UNLESS OTHERWISE SHOWN.
  2. MOUNTING HEIGHT IS DEFINED AS THE DISTANCE FROM THE CENTERLINE OF THE TENON TO THE BOTTOM OF THE ANCHOR BASE.
  3. TWO PIECE SHAFT WILL BE MATCHED MARKED AND INTERCHANGEABLE BETWEEN DIFFERENT UNITS. FIELD DRILLING OF THE HOLES WILL NOT BE ALLOWED.
  4. THE LIGHT POLE WILL MEET AASHTO DESIGN CRITERIA AS SPECIFIED.
  5. THE INSTALLING CONTRACTOR WILL PROVIDE A UL LISTED GROUNDING CONNECTOR. BURNDY K2C23, T&B SP4DL OR APPROVED EQUAL.
  6. LIGHT POLES WILL NOT BE INSTALLED WITHOUT MAST ARMS AND LUMINAIRES.
  7. LIGHT POLES WILL BE SET PLUMB ON THE FOUNDATION WITHOUT THE USE OF LEVELING NUTS, WASHERS, OR SHIMS
  8. LIGHTING UNIT IDENTIFICATION NUMBERS SHALL BE INSTALLED BEFORE THE LIGHTING UNIT IS ENERGIZED.

MODEL: Default  
FILE: \\nas01\paw.bentley.com\PI\DOT\Documents\DOT Office\DH\dtdt\_1\Projects\DH\542232\ACADD\Drawings\CD\Print\sheet11.dgn

USER NAME = Lawrence,DeManche	DESIGNED -	REVISED - R. TOMSONS 09-02-03
	DRAWN - LEY	REVISED - R. TOMSONS 01-18-13
PLOT SCALE = 100.0000' / in.	CHECKED -	REVISED - T. GODINHO 06-13-22
PLOT DATE = 8/9/2024	DATE -	REVISED - A. CUBIC 08-09-24

**STATE OF ILLINOIS  
DEPARTMENT OF TRANSPORTATION**

<b>DAVIT LIGHT POLE 40'-0" (12.192 m) MOUNTING HEIGHT</b>			
SCALE: NONE	SHEET 1 OF 1 SHEETS	STA.	TO STA.

F.A. RTE.	SECTION	COUNTY	TOTAL SHEETS	SHEET NO.
	<b>BE-411</b>			
ILLINOIS		CONTRACT NO.		
FED. AID PROJECT				