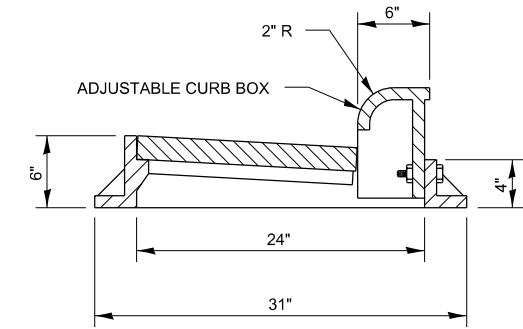
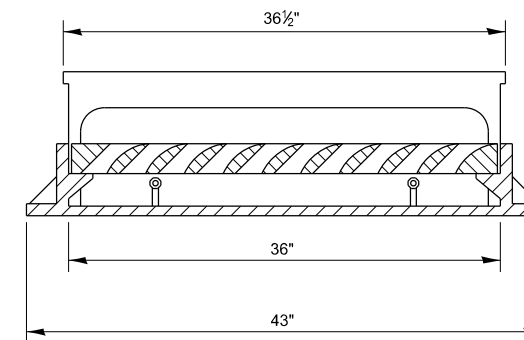


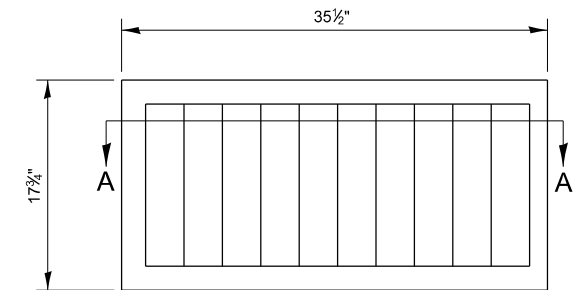
PLAN OF FRAME
WITHOUT GRATE AND CURB BOX



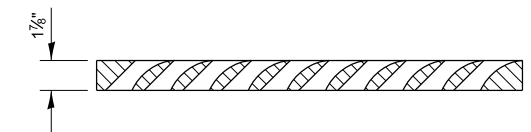
TRANSVERSE SECTION



LONGITUDINAL SECTION



PLAN OF GRATE



SECTION A-A

R 3067
APPROXIMATE WEIGHT - 530 LBS

604-2

FRAME AND GRATE FOR INLET SPECIAL

MODEL: det 3.dwg
 FILE: \\miller\paw\scaw\benley.com\PI\DOT\Documents\DOT Offices\DH\dtr_3\Projects\Caray_Detail\03_Detail_Revision\2023\604-2\INCIDENTAL_CONSTRUCTION.dgn

USER NAME = anthony.grunstad	DESIGNED -	REVISED -
	DRAWN -	REVISED -
PLOT SCALE = 100,000 ' / in.	CHECKED -	REVISED -
PLOT DATE = 10/3/23	DATE -	REVISED -

**STATE OF ILLINOIS
DEPARTMENT OF TRANSPORTATION**

SCALE: SHEET OF SHEETS STA. TO STA.

F.A. RTE.	SECTION	COUNTY	TOTAL SHEETS	SHEET NO.
CONTRACT NO.				
ILLINOIS FED. AID PROJECT				