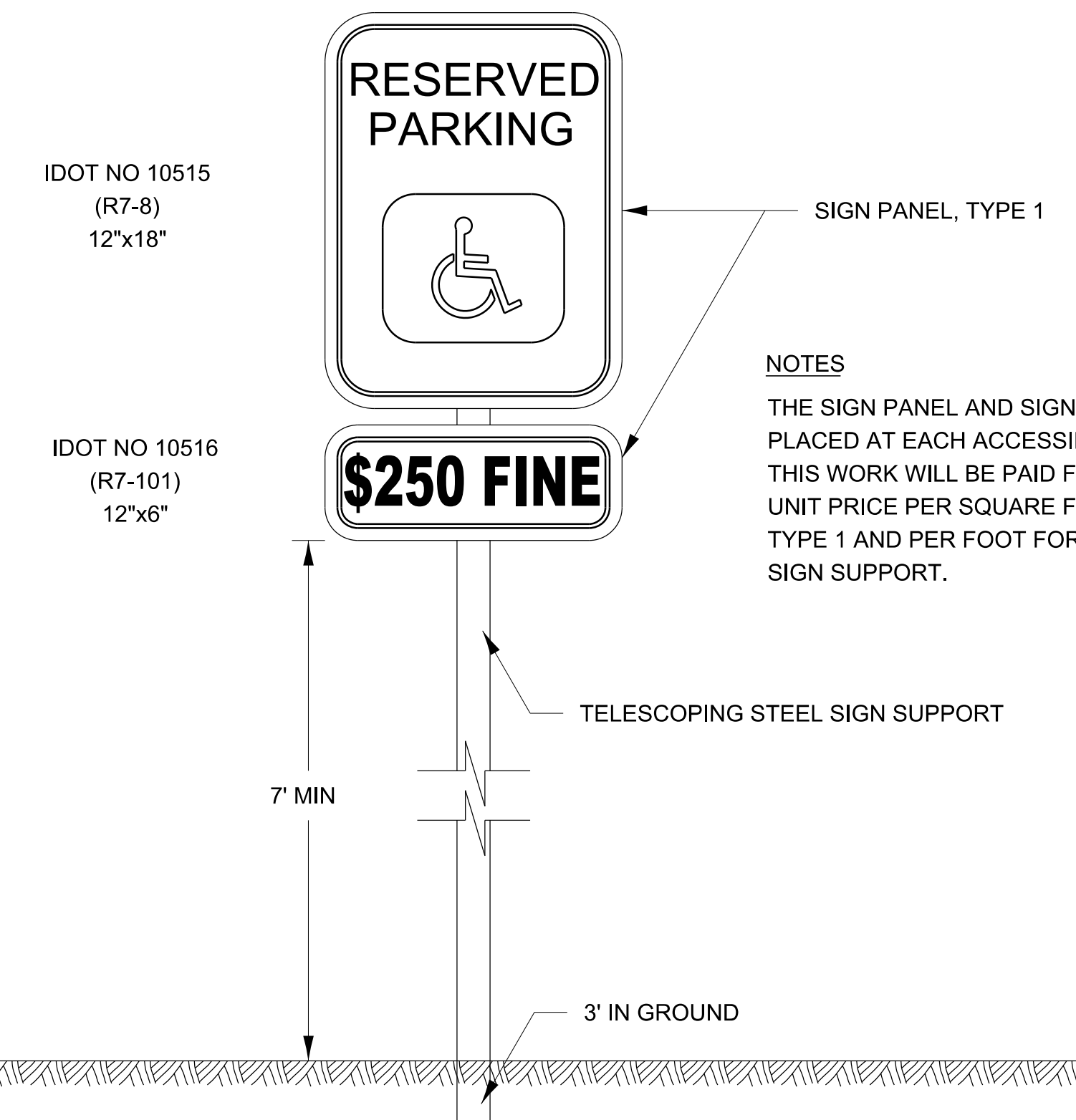


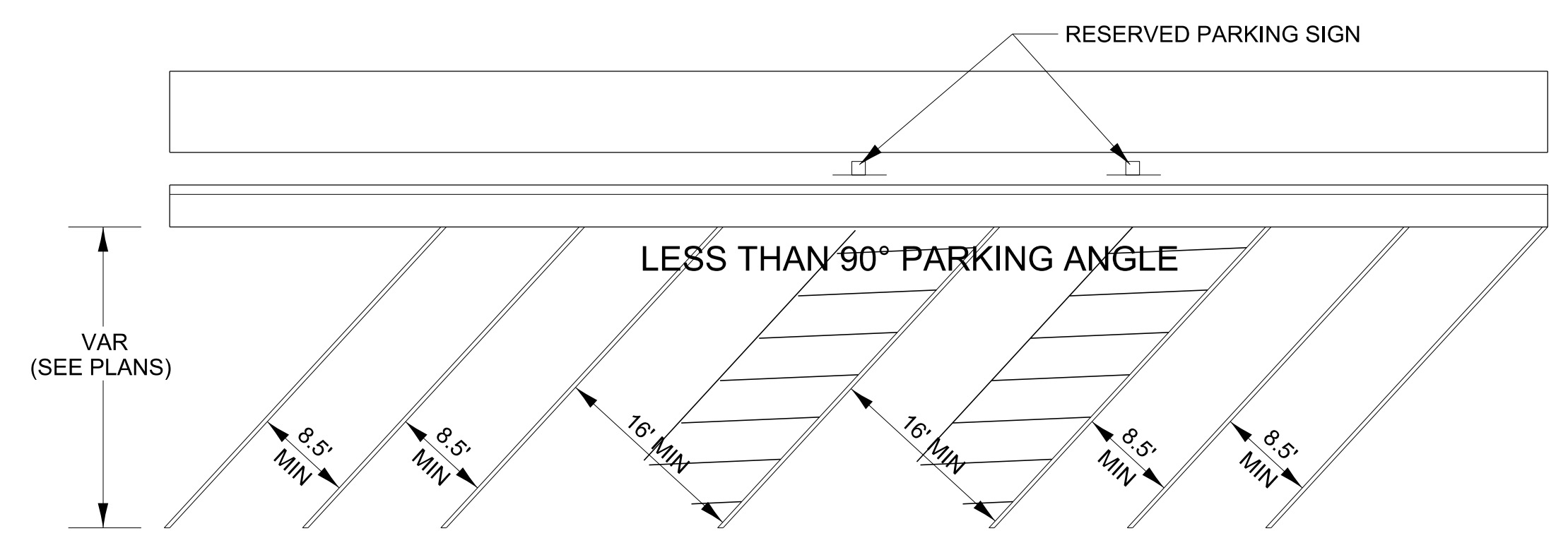
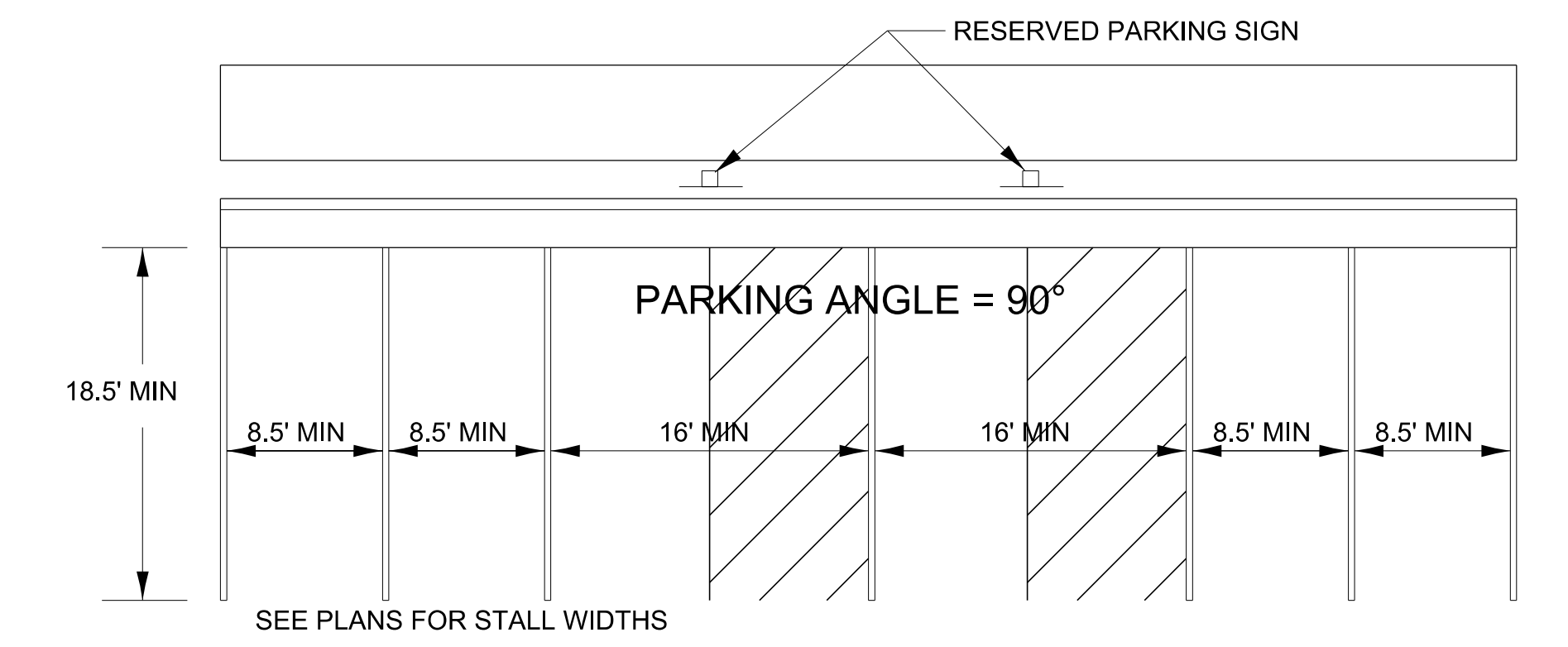
MODEL: dlet 3 - details  
 FILE NAME: p:\illinois\law\benitey.com\PI\DOT\Documents\DOT Offices\District 3\Projects\3-Darcy Details\03 Detail Revisions 2023\700-799 WORK\_ZONE - SIGNING - PAVEMENT MARKING.dgn



**NOTES**  
 THE SIGN PANEL AND SIGN SUPPORT SHALL BE PLACED AT EACH ACCESSIBLE PARKING STALL. THIS WORK WILL BE PAID FOR AT THE CONTRACT UNIT PRICE PER SQUARE FOOT FOR SIGN PANEL, TYPE 1 AND PER FOOT FOR TELESCOPING STEEL SIGN SUPPORT.

**QUANTITIES**  
 12' OF SIGN SUPPORT AND 2 SQ.FT OF SIGN PANEL IS REQUIRED AT EACH LOCATION.

**DISABLED PARKING STRIPING**



**RESERVED PARKING SIGN DETAIL**

720-6

|                              |            |           |
|------------------------------|------------|-----------|
| USER NAME = anthony.grunstad | DESIGNED - | REVISED - |
| PLOT SCALE = 50.000 ' / in.  | DRAWN -    | REVISED - |
| PLOT DATE = 10/6/23          | CHECKED -  | REVISED - |
|                              | DATE -     | REVISED - |

**STATE OF ILLINOIS  
 DEPARTMENT OF TRANSPORTATION**

|        |       |    |        |      |    |      |           |         |                  |              |           |
|--------|-------|----|--------|------|----|------|-----------|---------|------------------|--------------|-----------|
| SCALE: | SHEET | OF | SHEETS | STA. | TO | STA. | F.A. RTE. | SECTION | COUNTY           | TOTAL SHEETS | SHEET NO. |
|        |       |    |        |      |    |      | ILLINOIS  |         | FED. AID PROJECT |              |           |